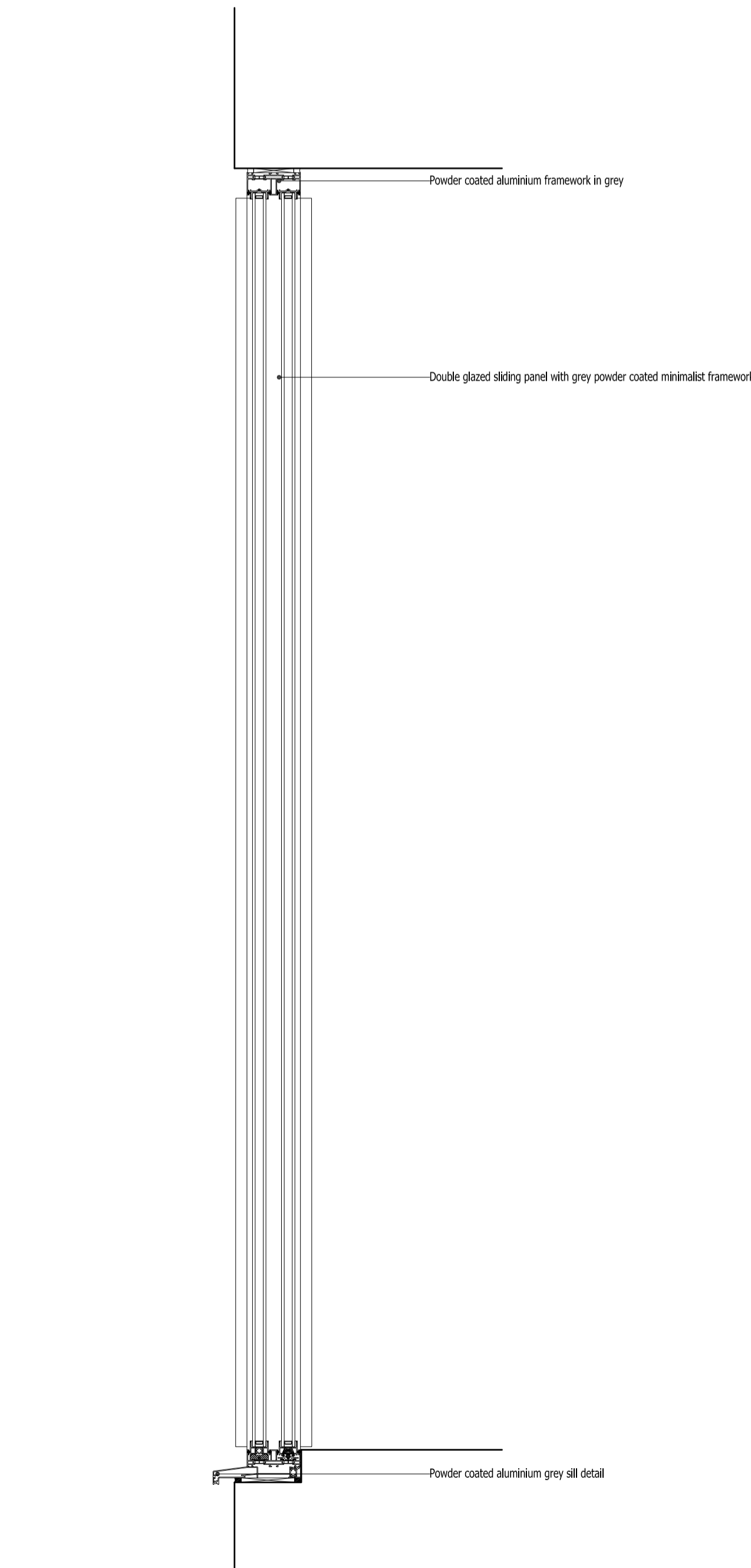
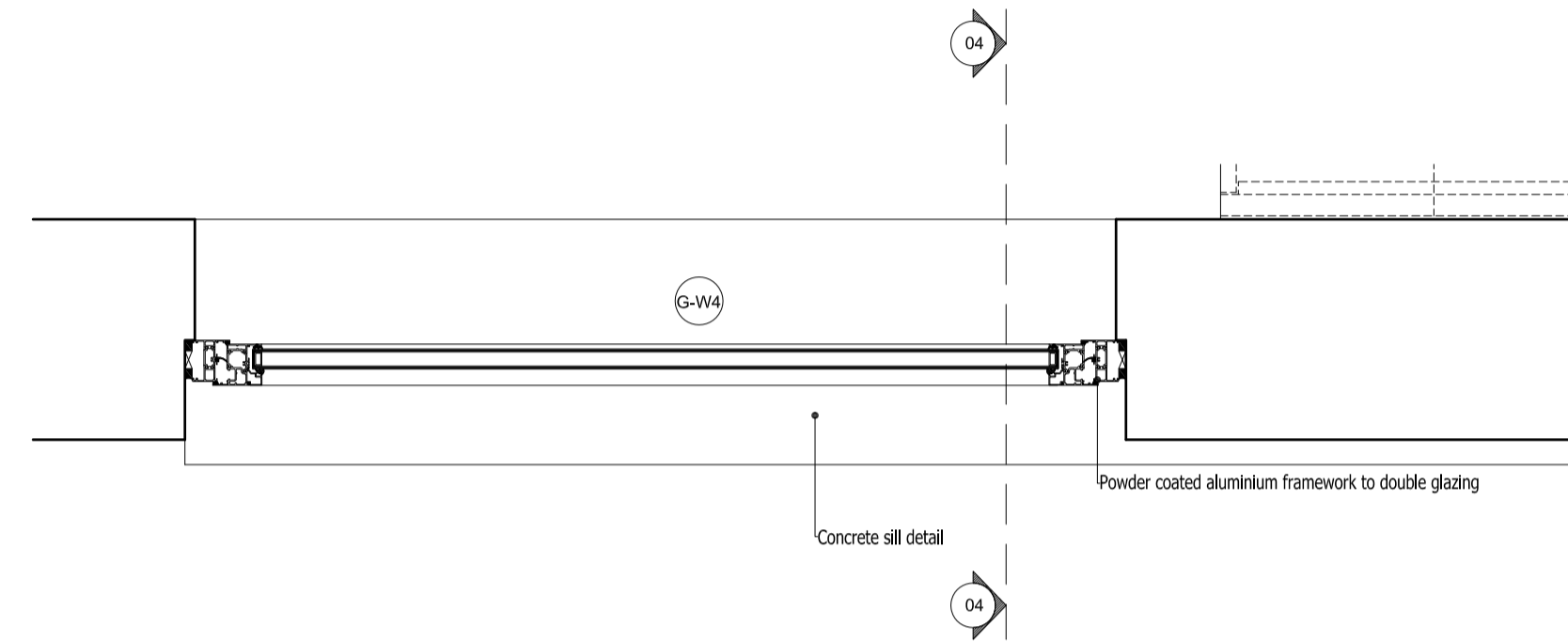


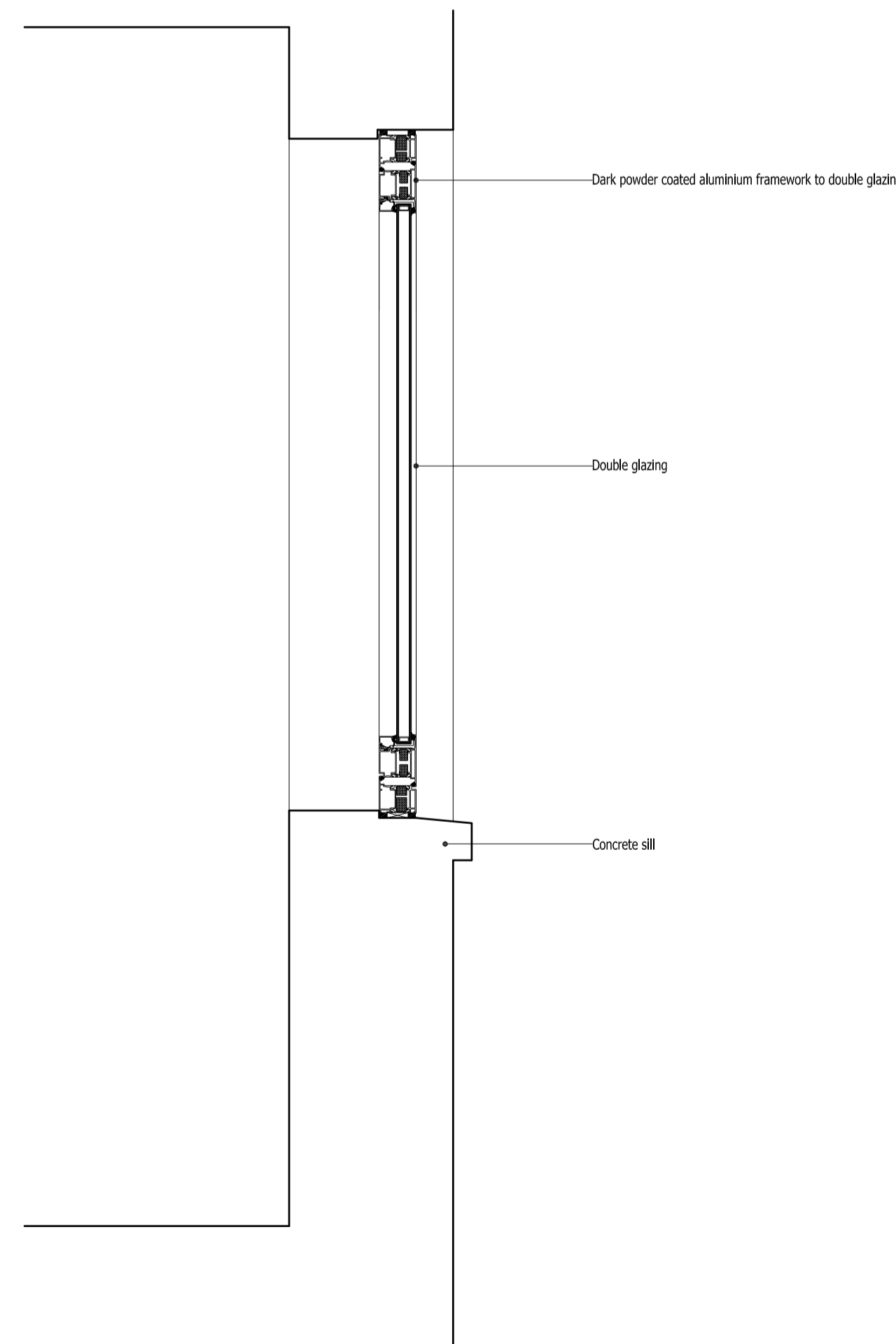
01 Proposed Ground Floor Window G-W1 Plan
scale 1:10 @ A1



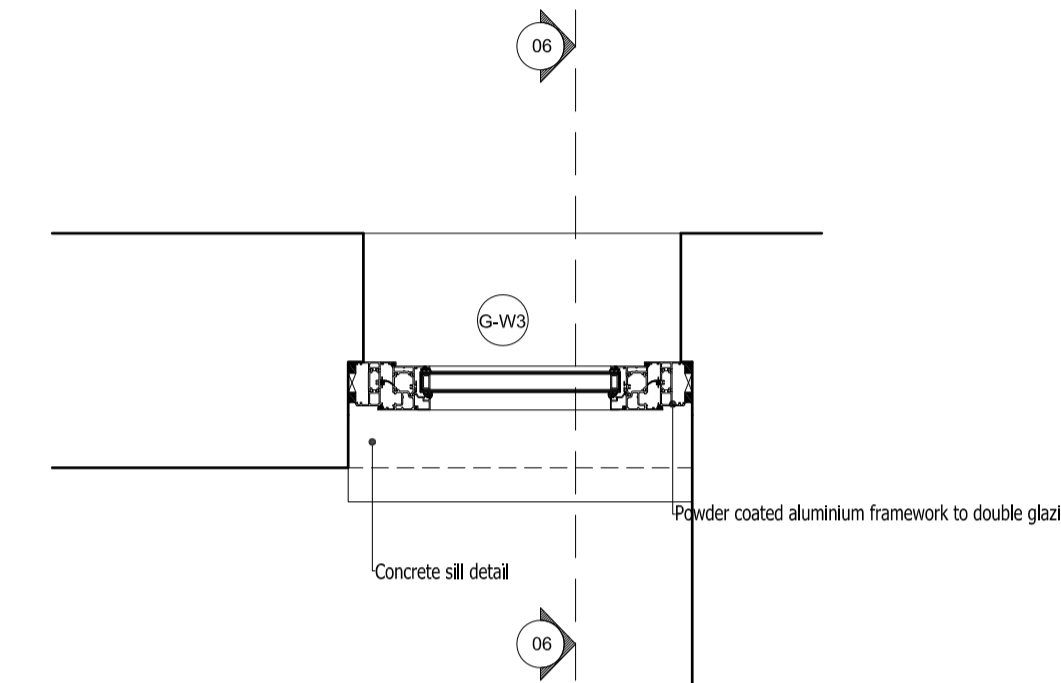
02 Proposed Ground Floor Window G-W1 Section
scale 1:10 @ A1



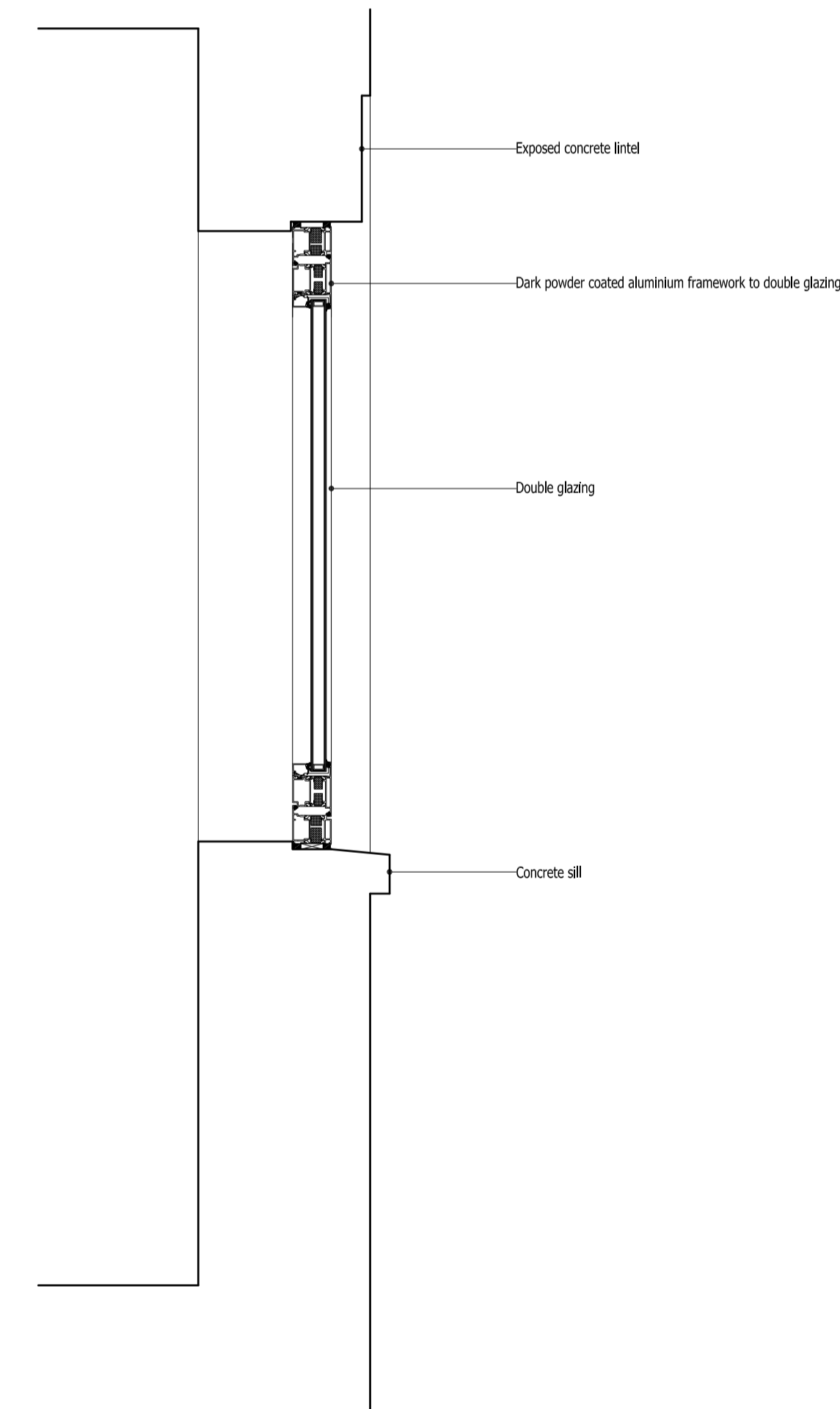
03 Proposed Ground Floor Window G-W4 Plan
scale 1:10 @ A1



04 Proposed Ground Floor Window G-W4 Section
scale 1:10 @ A1



05 Proposed Ground Floor Window G-W3 Plan
scale 1:10 @ A1



06 Proposed Ground Floor Window G-W3 Section
scale 1:10 @ A1

| Rev. | Date | Description | |
|--|------------|-------------------------------------|-----------|
| Project | | | |
| 6 Oak Hill Park Mews, London, NW3 7LH. | | | |
| Title | | | |
| Proposed Ground Floor Doors & Windows Plans & Sections | | | |
| andrew wood associates ltd | | | |
| 120 Pall Mall London SW1Y 5EA | | T: 020 7684 1400 F: 08451 305949 | |
| client: | | | |
| Matt Lyons 6 Oak Hill Park Mews Hampstead London NW3 7LH | | | |
| Date | Job No | Drawing No | Revision |
| 08.08.2017 | | | |
| Scale 1:10 @ A1 1:20 @ A3 | 176 | P531 | 00 |

Project
6 Oak Hill Park Mews, London, NW3 7LH.

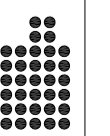
Title
Proposed Ground Floor Doors & Windows
Plans & Sections

andrew wood associates ltd

120 Pall Mall
London
SW1Y 5EA
T: 020 7684 1400
F: 08451 305949

client:

Matt Lyons
6 Oak Hill Park Mews
Hampstead
London
NW3 7LH



| Date | Job No | Drawing No | Revision |
|---------------------------------|------------|-------------|-----------|
| 08.08.2017 | | | |
| Scale 1:10 @ A1 1:20 @ A3 | 176 | P531 | 00 |