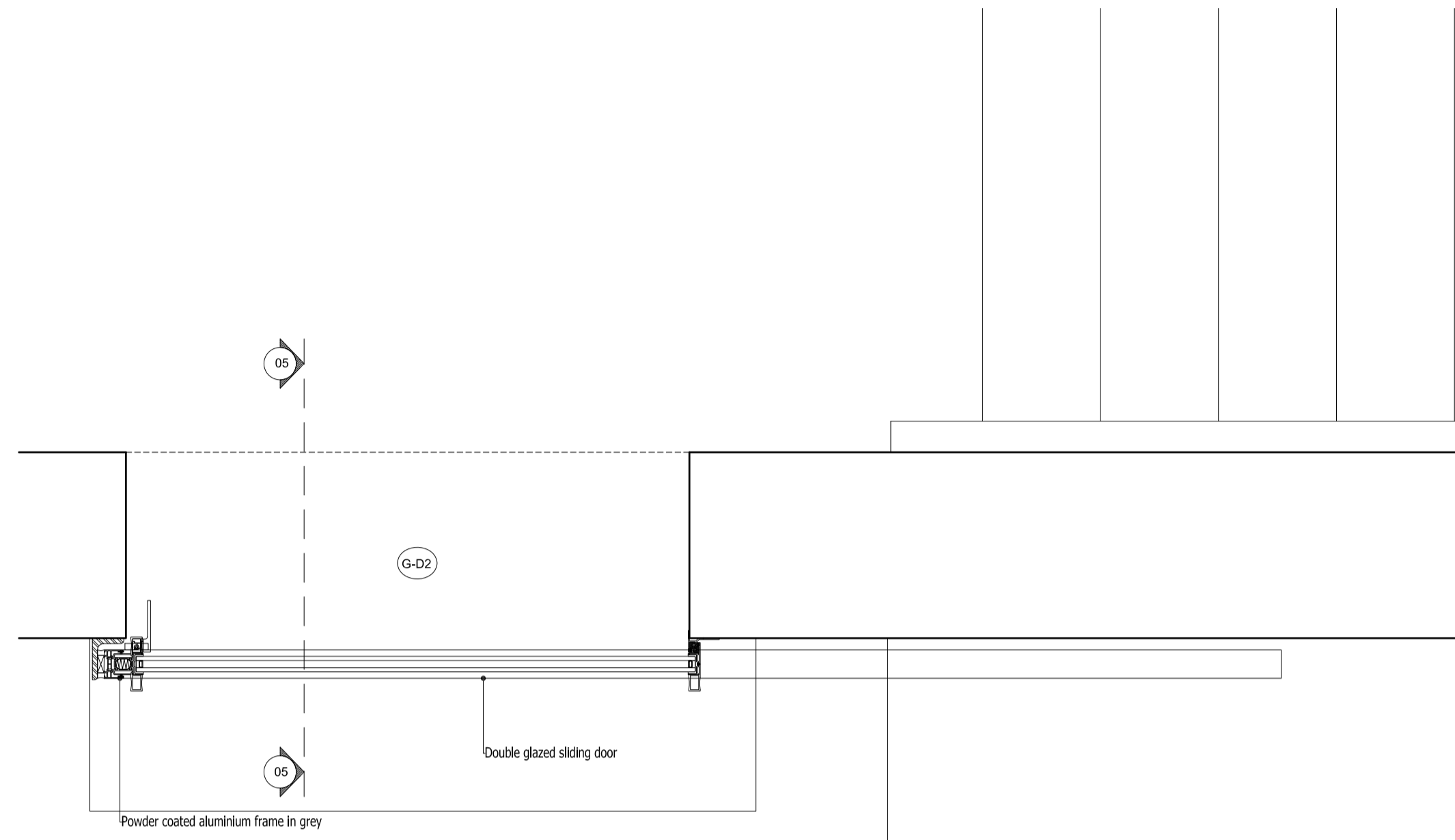
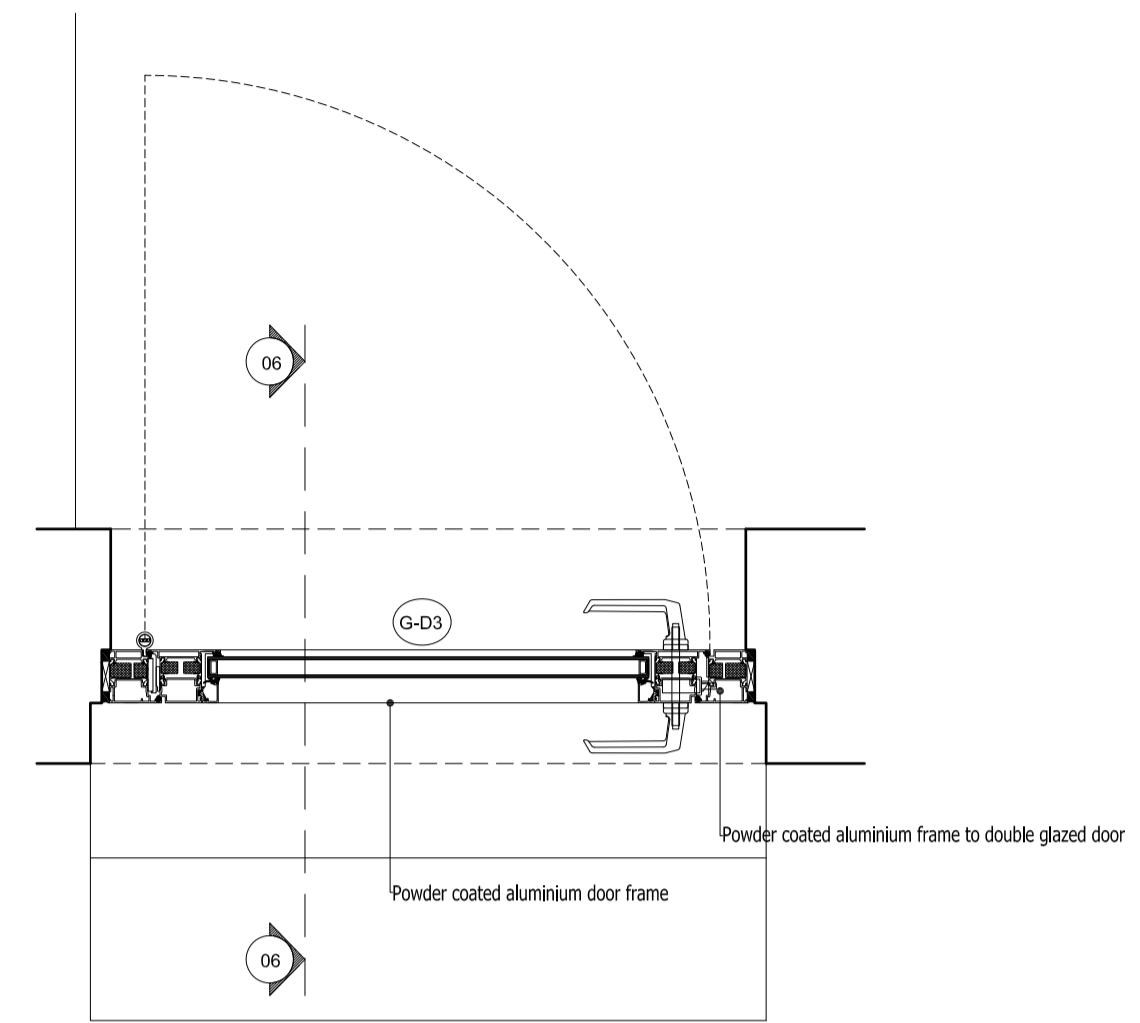


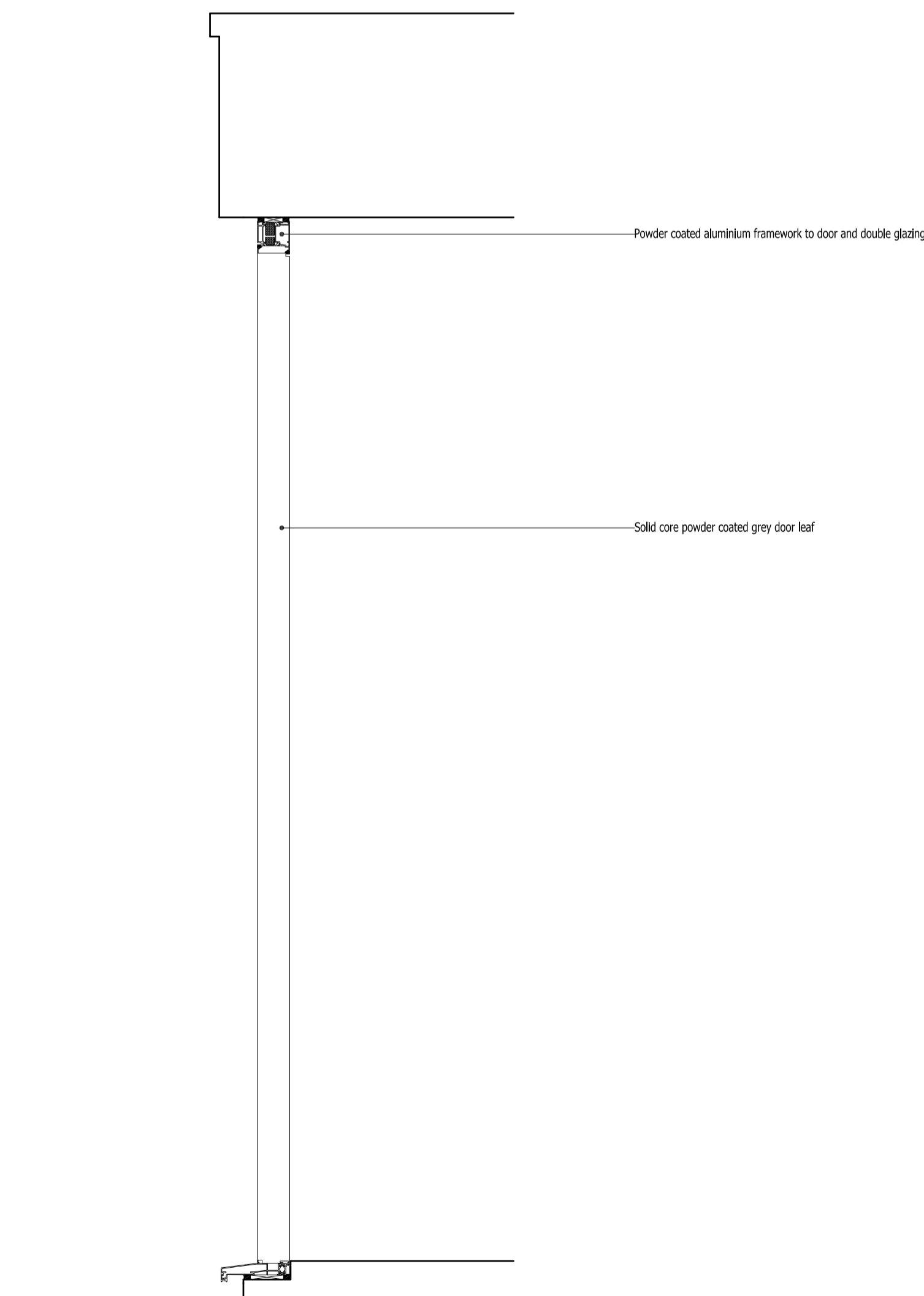
01 Proposed Ground Floor Door G-D01 and Window G-W1 Plan
scale 1:10 @ A1



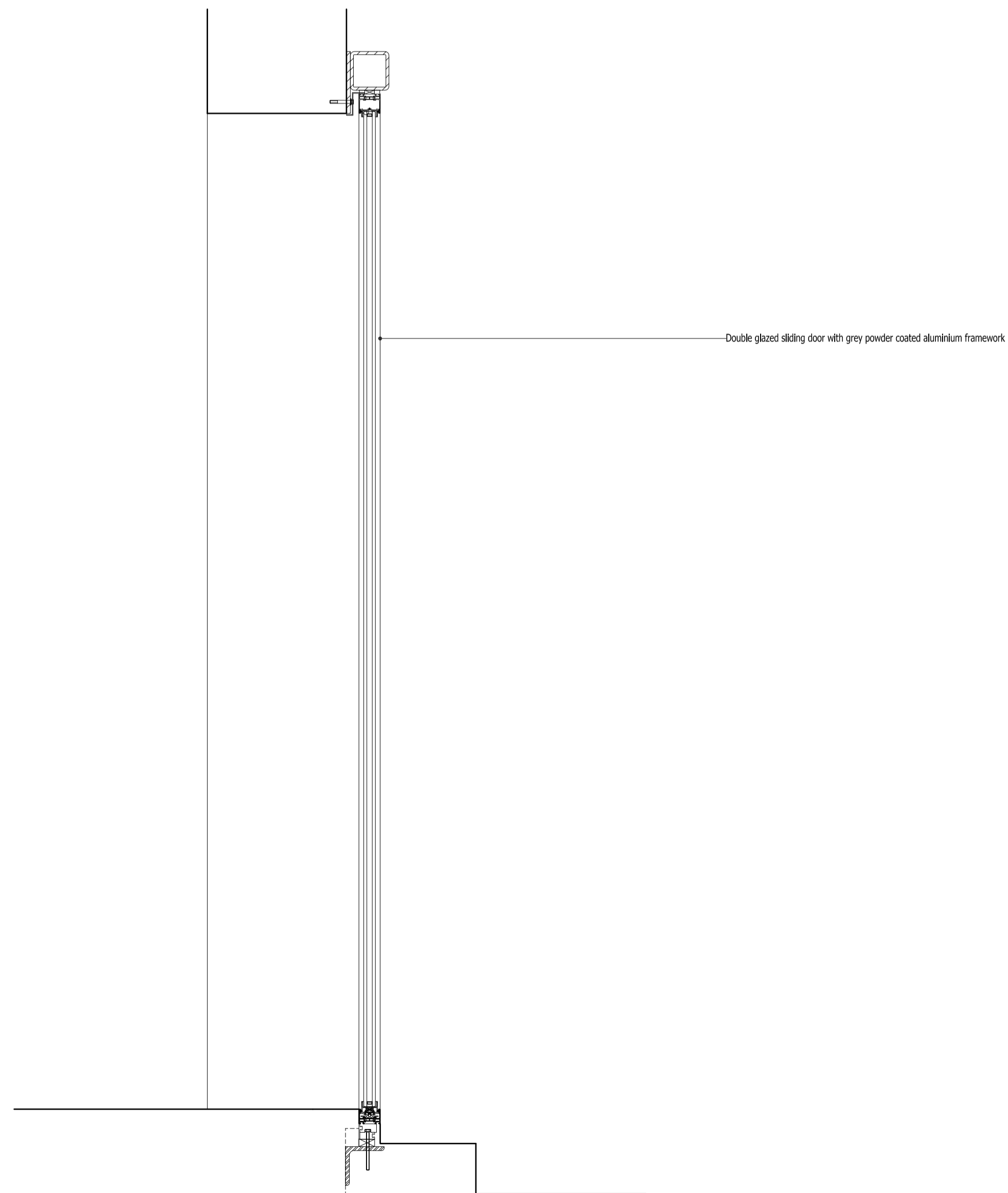
02 Proposed Ground Floor Door G-D02
scale 1:10 @ A1



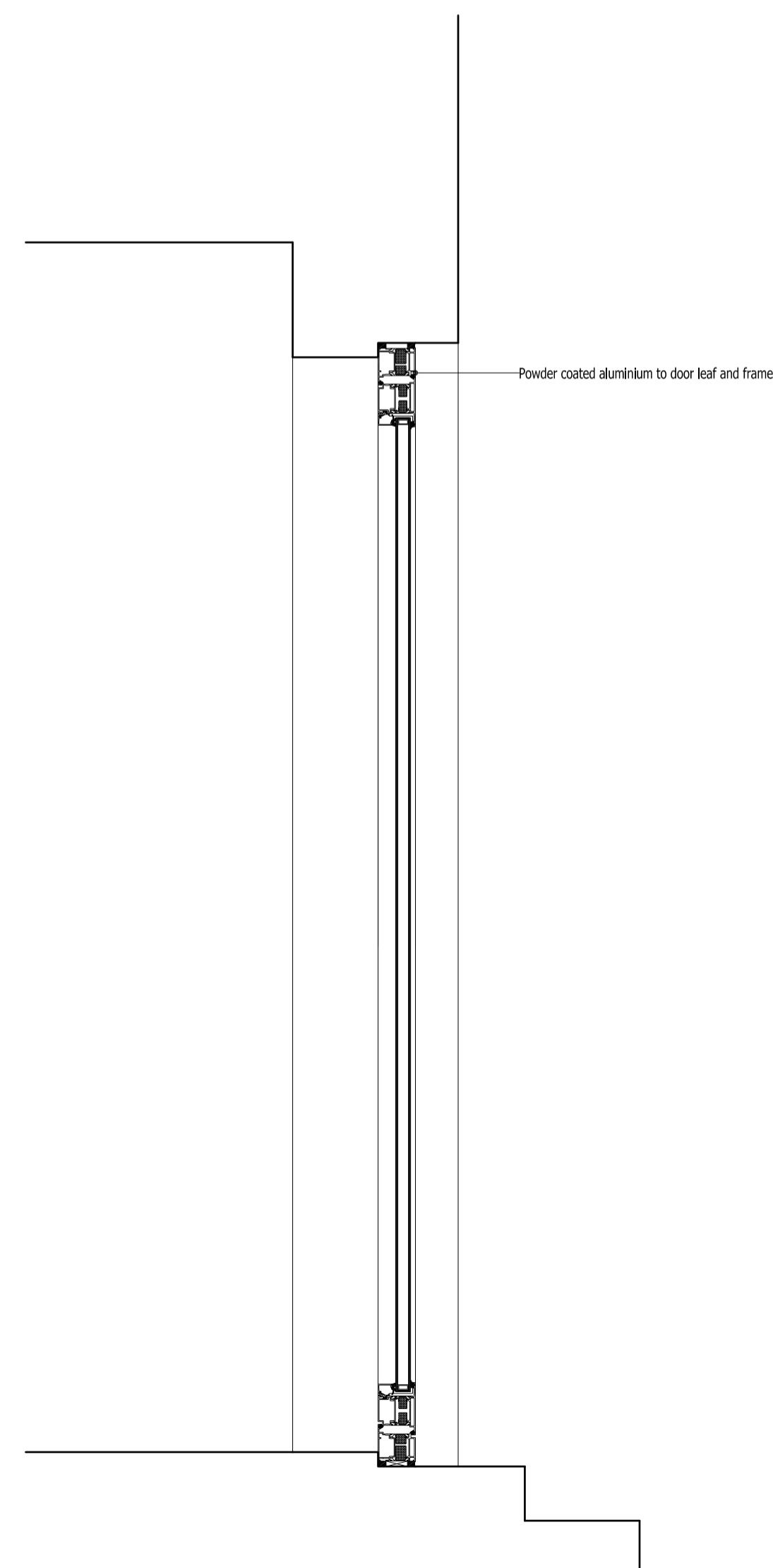
03 Proposed Ground Floor Door G-D03 Plan
scale 1:10 @ A1



04 Proposed Ground Floor Door G-D01 Section
scale 1:10 @ A1



05 Proposed Ground Floor Door G-D02 Section
scale 1:10 @ A1



06 Proposed Ground Floor Door G-D03 Section
scale 1:10 @ A1

Rev.	Date	Description	
Project			
6 Oak Hill Park Mews, London, NW3 7LH.			
Title			
Proposed Ground Floor Doors & Windows Plans & Sections			
andrew wood associates ltd			
120 Pall Mall London SW1Y 5EA		T: 020 7884 1400 F: 08451 305949	
client:			
Matt Lyons 6 Oak Hill Park Mews Hampstead London NW3 7LH			
Date	Job No	Drawing No	Revision
08.08.2017			
Scale			
1:10 @ A1 1:20 @ A3	176	P520	00

