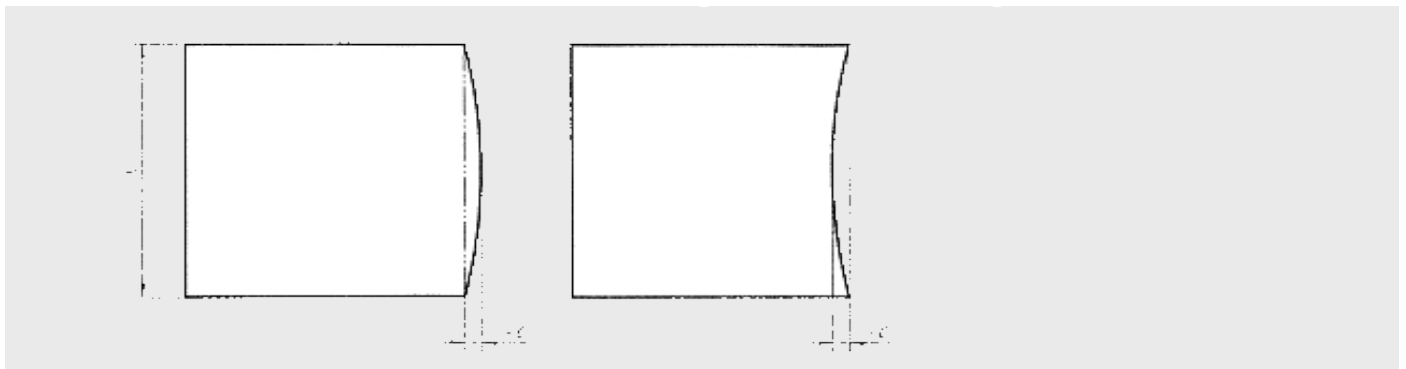


TECHNICAL DATA SHEET
Technisches Datenblatt

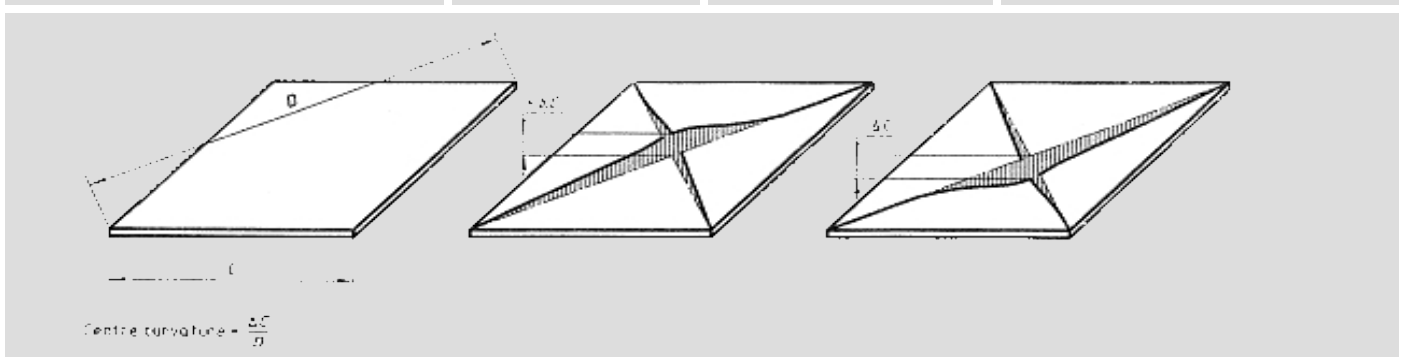
Valid for / gültig für:
 TERRART - LARGE, -MID, -SOLID, -SHINGLE, -LIGHT, -CLAD

Specification / Spezifikation	Remark/Bemerk.	Result / Ergebnis	Testing method / Prüfmethode
Tolerances - testing methods <i>Toleranzen- Messung</i>			

Straightness of sides in hole direction <i>Geradheit der Seiten in Lochrichtung</i>	to / bis 600mm over 600mm	± 1,5 mm ± 0,25% of length <i>(der Länge)</i>	EN ISO 10545 part <i>(Teil)</i> 2
----------------------------------------------------------------------------------------	------------------------------	-----------------------------------------------------	-----------------------------------



Centre Curvature <i>Mittelpunktwölbung</i>		± 0,25% of diagonal <i>(der Diagonalen)</i>	EN ISO 10545 part <i>(Teil)</i> 2
-----------------------------------------------	--	------------------------------------------------	-----------------------------------



Edge Curvature <i>Kantenwölbung</i> <i>(in/ transverse to Direction of Hole- in/quer zur Lochrichtung)</i>	to / bis 600mm over 600mm	± 1,5 mm ± 0,25% of edge length <i>(der Kantenlänge)</i>	EN ISO 10545 part <i>(Teil)</i> 2
----------------------------------------------------------------------------------------------------------------------	------------------------------	-------------------------------------------------------------------	-----------------------------------

