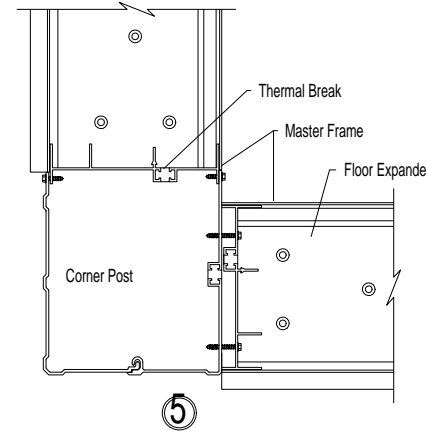
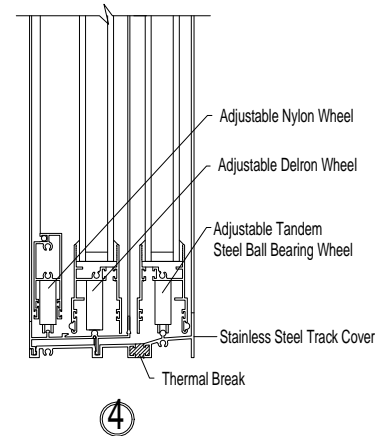
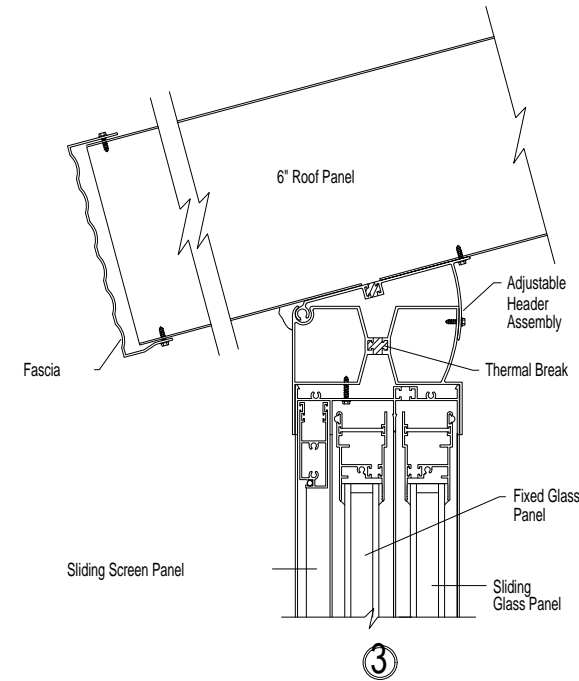
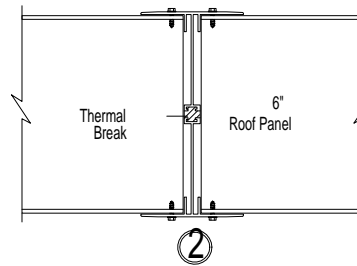
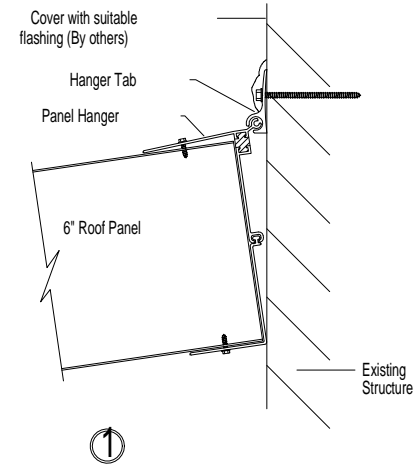
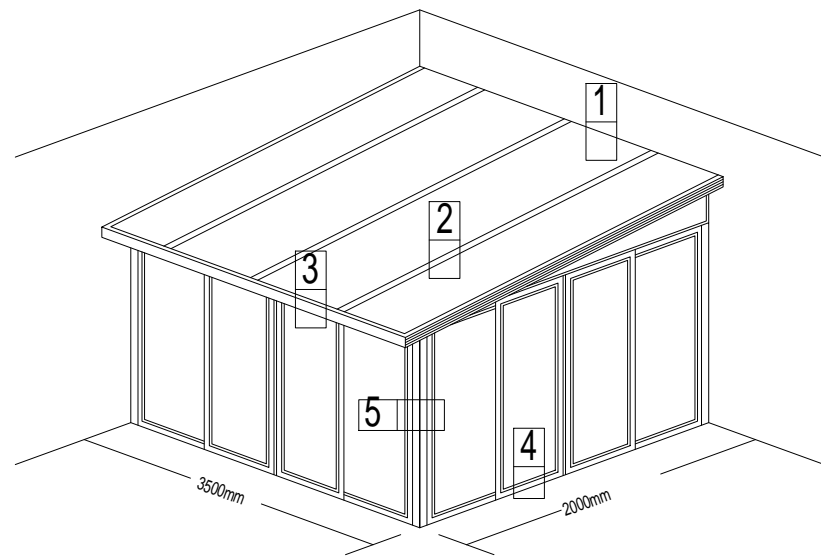


NOTES:

1. This drawing is to be read in conjunction with all relevant contract documentation from the design team, with any conflicting information to be brought to the attention of Ash&So Architecture in writing before commencing on site.
2. The contractor is to check and verify all levels and dimensions before construction. Any discrepancies are to be brought to the attention of Ash&So Architecture in writing before commencing on site.
3. All dimensions in mm, unless otherwise stated.
4. Do not scale from this drawing.
5. All sub base and concrete design and specification to engineer's details. All diagrams provided here are purely indicative.
6. Waterproofing of any element to be specified by others.
7. All proprietary products shall be installed in accordance with manufacturers written instructions.



Proposed sliding folding doors. They are cleverly engineered with a super smooth operation and plenty of styling options:

- Proposed RAL colour to match existing windows and doors colour
- Easy to clean, dirt and scratch free texture
- For security the Master door set has a multi point locking system designed to meet the requirements of PAS 24, BS 6375 and Secured by Design on the main door, with an internal lockable bottom and top slide bolt.
- SAFETY GLASS COMPLIANCE: European standards BSEN12150 and BSEN12600
- GLAZING SPEC: Low E, full thickness 24mm Argon filled double glazed unit using toughened tempered safety glass with a 1.1W/m2K rating.

Project
34 Spencer Walk NW3

Sheet
NLA105-14

Project
NLA105

Sheet
Detail drawing

Drawing
Not to scale
Paper
A3

Drawn
Author
Checked
Checker

Drawn
13/08/17
Checked
13/08/17

NEWLAKE
ARCHITECTURE
Architectural & Planning Services

NewLake Architecture & Planning
40 Rosehill Avenue, Sutton SM1 3HG
T: (+44) 07534 053266 / 07854 841149
E: studio@ashandso.co.uk