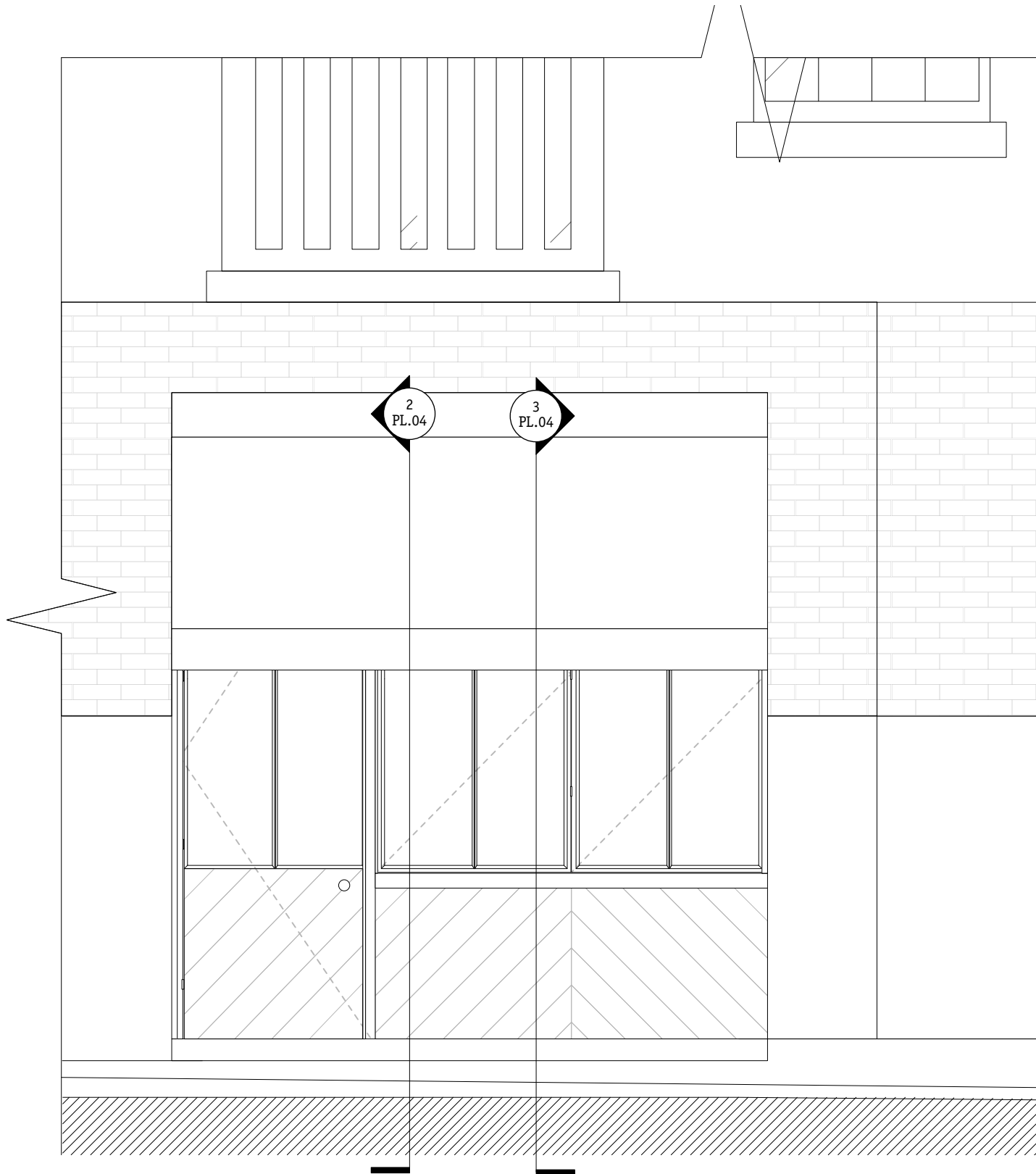
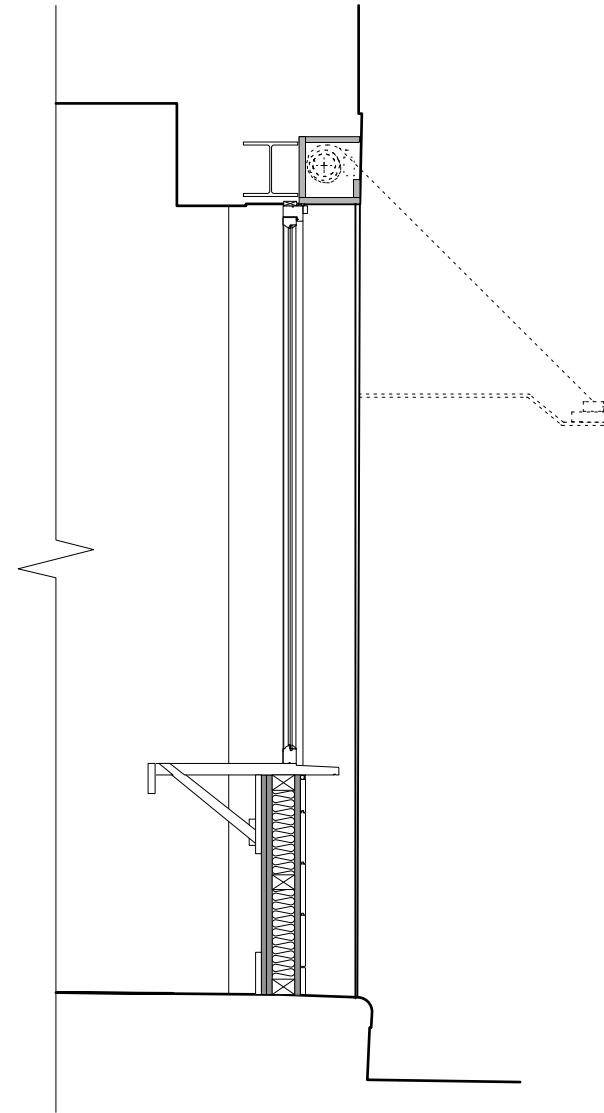




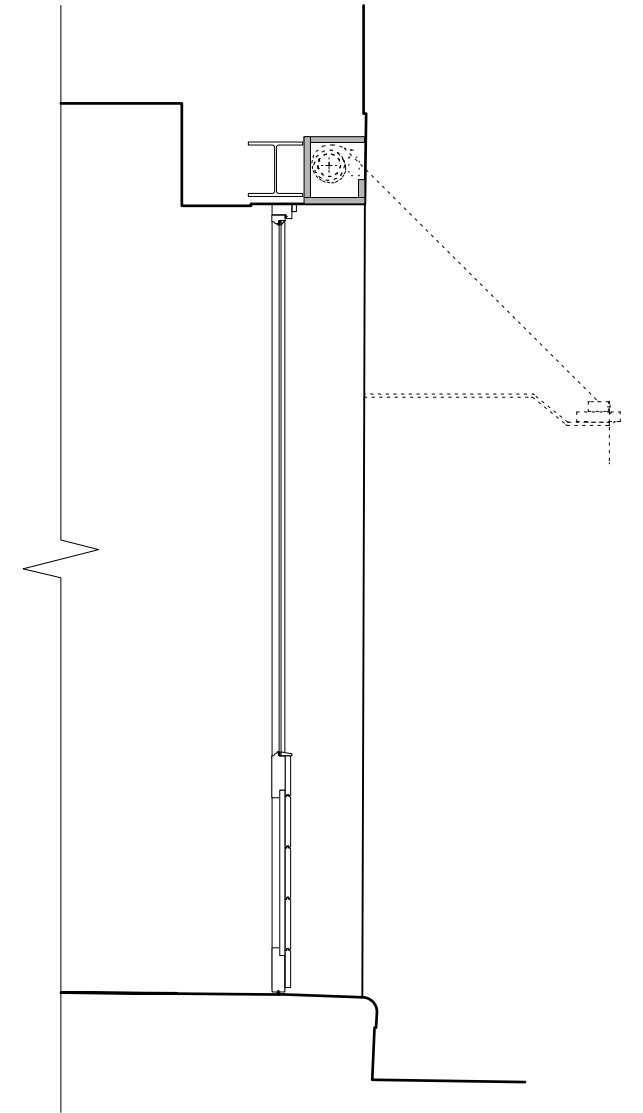
Scale 1:50



1 Proposed Shop Front & Blind Elevation
1:25@A3



2 Proposed Shop Front Section
1:25@A3



3 Proposed Shop Front Section
1:25@A3



Notes

-

Revision	Date	Description
-	05.05.17	Planning
A	23.05.17	Revised shopfront
B	20.06.17	Revised shopfront

Gundry & Ducker
Gundry & Ducker Architecture Ltd
 3 Garrick Street
 London WC2E 9BF
 t +44(0)203 417 4895
 info@gundryducker.com

Project	16A Neal's Yard		
Drawing title	Proposed Shop Front Detail		
Scale	1:50@A3	Drwg. No.	Rev
Date	May 2017	329.FL.04	B
Status	Planning		

Do not scale. All dimensions to be confirmed on site.
 Information contained in this drawing is the sole copyright of the designer
 and is not to be reproduced without permission.