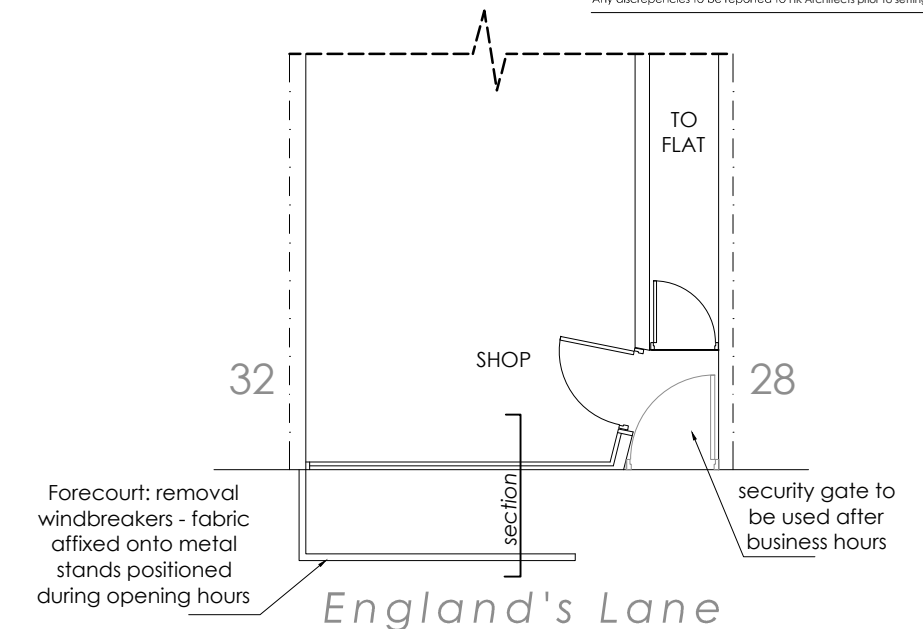
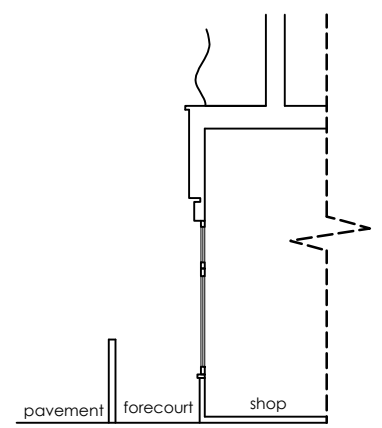


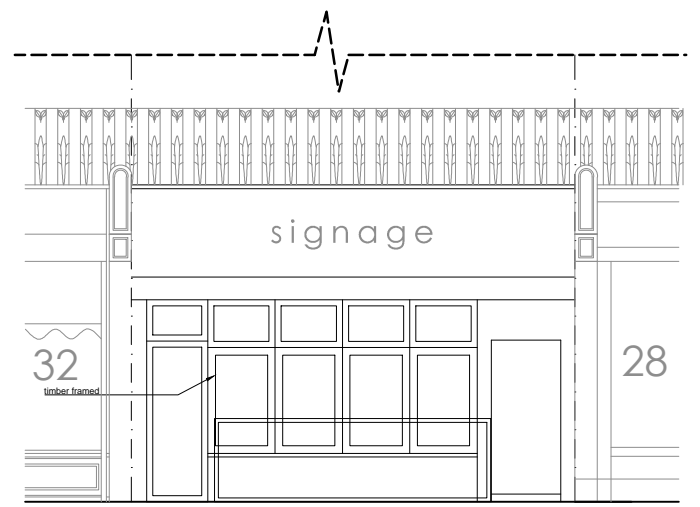
England's Lane
 EXISTING PLAN



England's Lane
 PROPOSED PLAN

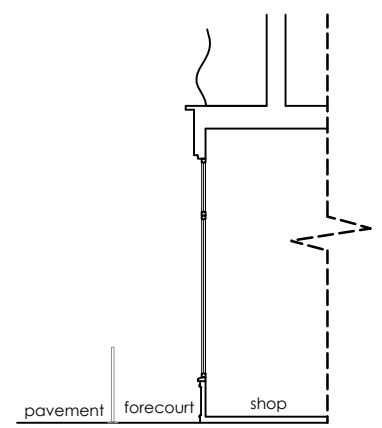


EXISTING SECTION

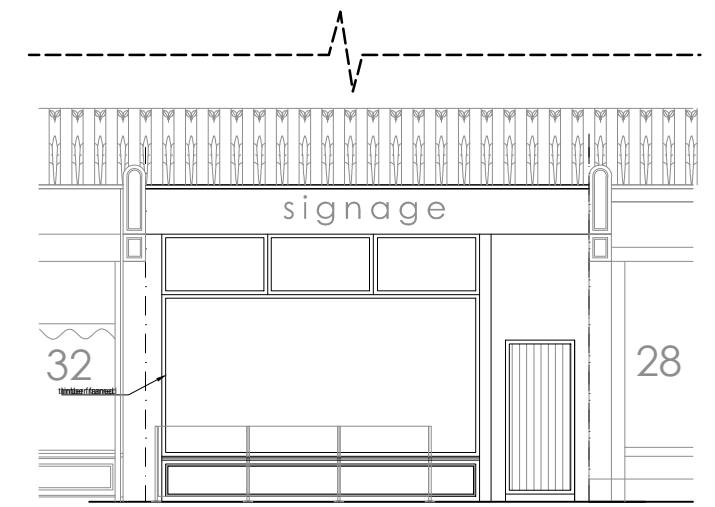


EXISTING FRONT ELEVATION

SCALE 1:100

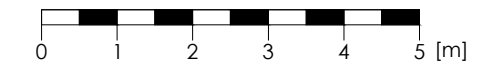


PROPOSED SECTION



PROPOSED FRONT ELEVATION

SCALE 1:100



30 ENGLAND'S LANE London, NW3 4UE	
CLIENT	c/o Agent
EXISTING & PROPOSED SHOP FRONT	
SCALE	1: 100 (A3)
DATE	28.04.2017
DWG NO	P.01
REVISION	A

