

CONCEALED STRIP LED LIGHT WITH DIFFUSER

S2

DASHED LINE INDICATES LIGHT SPREAD

5MM BRASS HK LOGO PLATE FIXED BACK TO SHOPFRONT PANELING

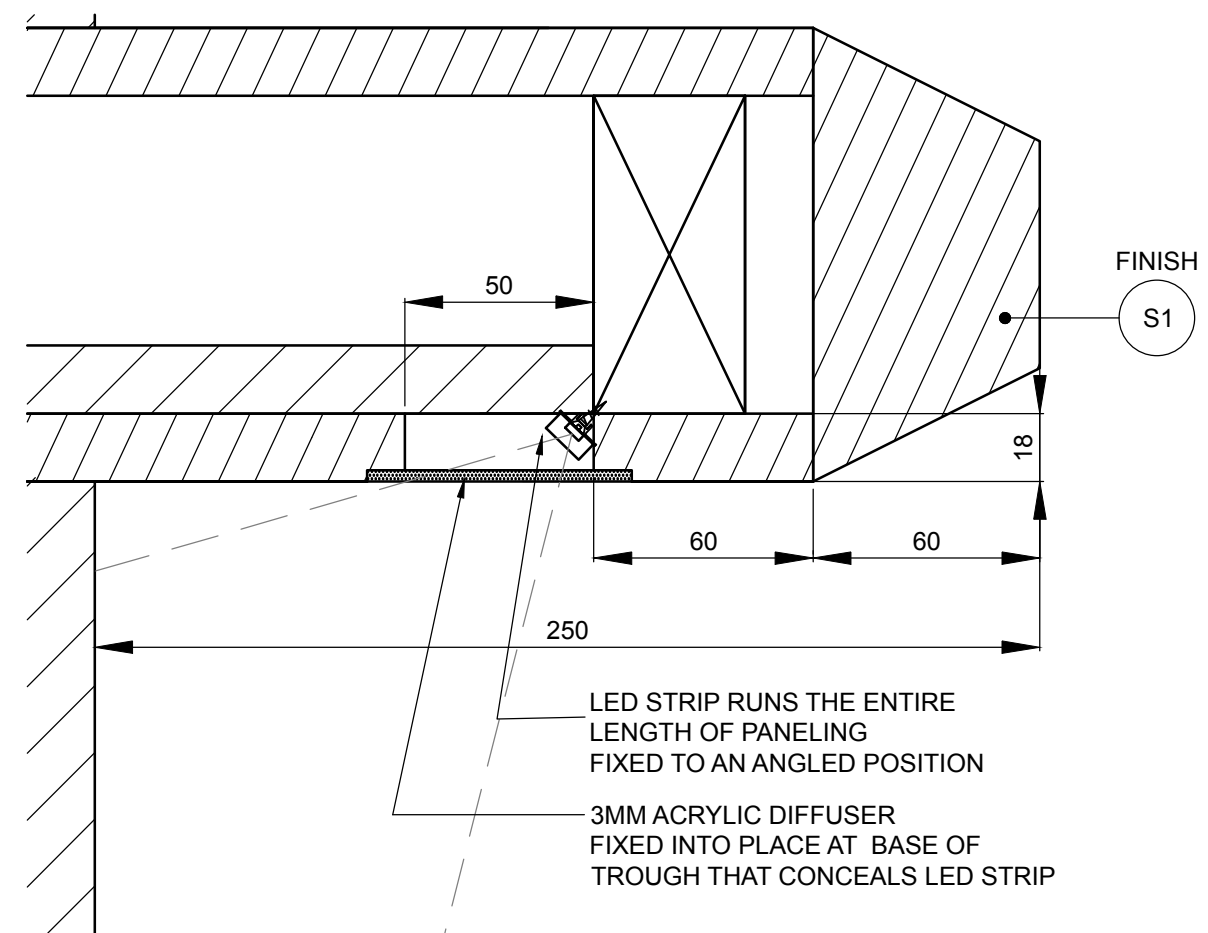
25MM DEPTH BLOCK PAINTED LETTING FIXED BACK TO SHOPFRONT PANELING

S4

PAINTED SECONDARY SIGNAGE APPLIED DIRECT TO FASCIA. FINISH S4 'WHITE'

1 SIGNAGE AND FASCIA DETAILS

SCALE 1:5



FINISH

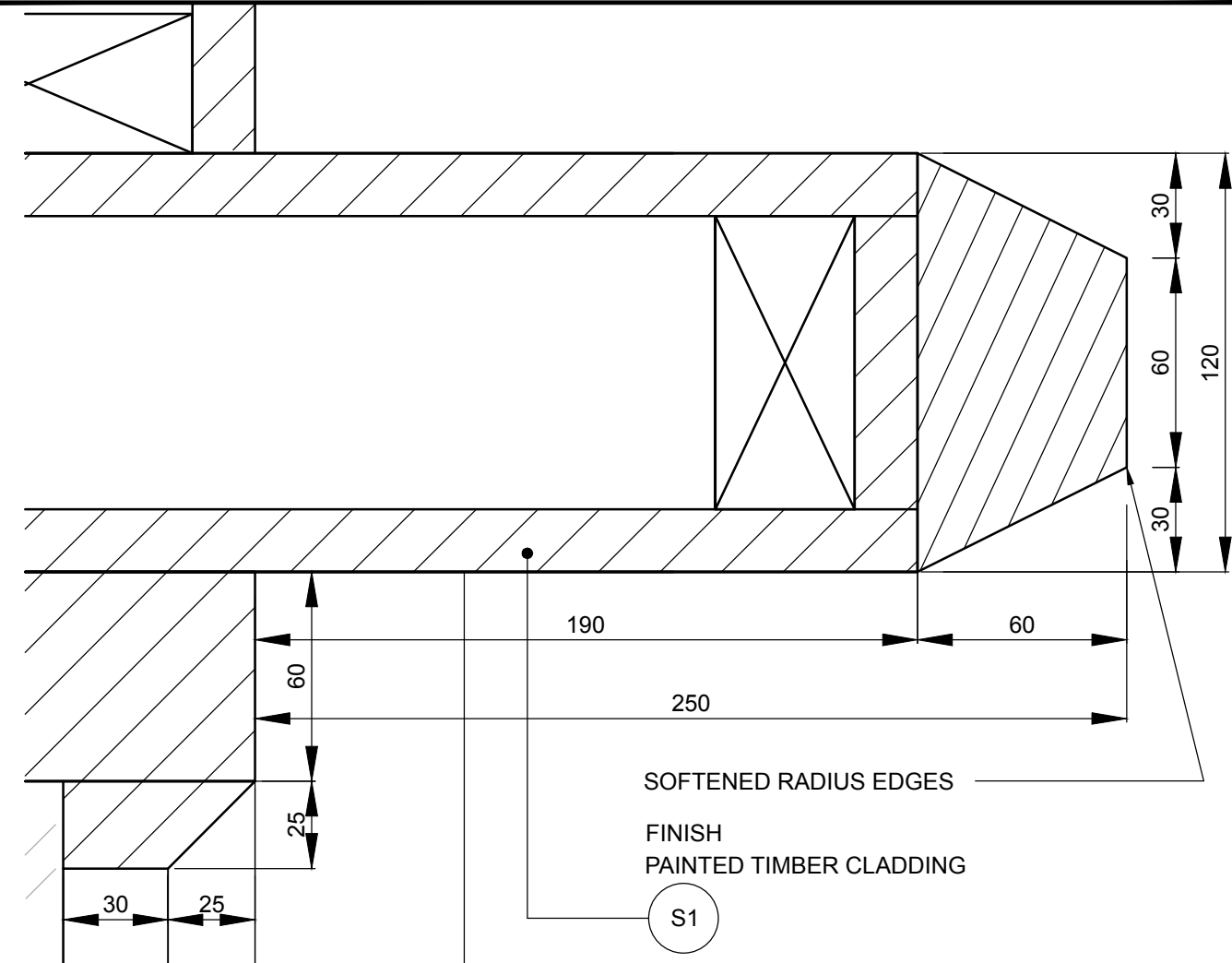
S1

LED STRIP RUNS THE ENTIRE LENGTH OF PANELING FIXED TO AN ANGLED POSITION

3MM ACRYLIC DIFFUSER FIXED INTO PLACE AT BASE OF TROUGH THAT CONCEALS LED STRIP

2 SECTION DETAIL - LED LIGHT

SCALE 1:2



SOFTENED RADIUS EDGES

FINISH PAINTED TIMBER CLADDING

S1

3 SECTION DETAIL

SCALE 1:2

NOTES
DO NOT SCALE FROM DRAWING

ALL DIMENSIONS TO BE CHECKED AND VERIFIED ON SITE PRIOR TO MANUFACTURE OR CONSTRUCTION. CONTRACTOR TO REPORT ANY DISCREPANCIES TO LUMSDEN DESIGN IMMEDIATELY

CONTRACTOR TO PRODUCE SETTING OUT DRAWINGS OF ALL COMPONENTS FOR APPROVAL BY LUMSDEN DESIGN, PRIOR TO MANUFACTURE

ALL CONSTRUCTION, FIT OUT MATERIALS AND ELECTRICAL WORKS TO COMPLY WITH THE RELEVANT BUILDING REGULATIONS FOR THE COUNTRY WHERE THE INSTALLATION IS SITED.

IN THE EVENT THAT SUBSTITUTIONS OR ALTERATIONS ARE SUGGESTED THIS SHOULD BE DONE IN WRITING AND WRITTEN PERMISSION GRANTED PRIOR TO PROCEEDING.

MAINTAIN EXITS, EXIT LIGHTING, FIRE PROTECTIVE DEVICES AND ALARMS FOR DURATION OF WORK IN ACCORDANCE WITH APPLICABLE CODES AND ORDINANCES.

PROTECT AREA OF WORK AND ADJACENT AREAS OF WORK FROM DAMAGE FOR DURATION OF WORK. ALL DAMAGE DUE TO IMPROPER PROTECTION SHALL BE REPAIRED AT NO ADDITIONAL COST TO THE OWNER.

THE DRAWING AND THE WORKS DEPICTED ARE THE COPYRIGHT OF LUMSDEN DESIGN LTD AND MAY NOT BE REPRODUCED EXCEPT BY WRITTEN PERMISSION FROM A DIRECTOR OF LUMSDEN DESIGN LTD.

MATERIALS LEGEND LISTED ON DRAWING 117-20-4

REV	DATE	DESCRIPTION	BY
-	-	-	-

Lumsden 2 Cowcross Street
London EC1M 6DR UK
T +44(0)20 3384 1400

CLIENT HARRIET KELSALL

PROJECT PRIMROSE HILL

DRG PROPOSED SHOPFRONT DETAILS

DRG No. 117-20-2 REV -

SCALE 1:5, 1:2 @ A3 DATE JULY 17

DRAWN BY CW

DRAWING STATUS

INFORMATION