

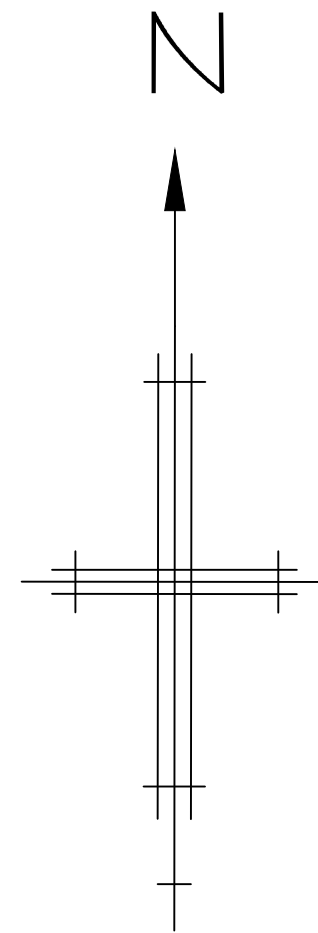


BLOCK PLAN ~ 1:200



(c) UKMap Copyright, The GeoInformation Group 2015 Licence No. LAN/MLONI00009121116

LOCATION PLAN ~ 1:1250



REV C - Ground floor extension reinstated	18/07/2017
REV B - Ground floor extension reduced in size	27/04/2017
REV A - Section lines relating to dwg 161028/10	13/12/2016
REVISIONS	DATE

Architectural Design & Planning
 32 Grange Road
 Plymouth PL7 2HY
 t: 01752 341696
 f: 07973 136876



TITLE	
LOCATION & BLOCK PLANS	
ADDRESS	
86 MILL LANE LONDON NW6 1NL	
CLIENT	
ALAN HEYWOOD	
SCALE	DATE
1:200 & 1:1250	OCTOBER 2016
DRAWING No.	REV.
161028/01	C