

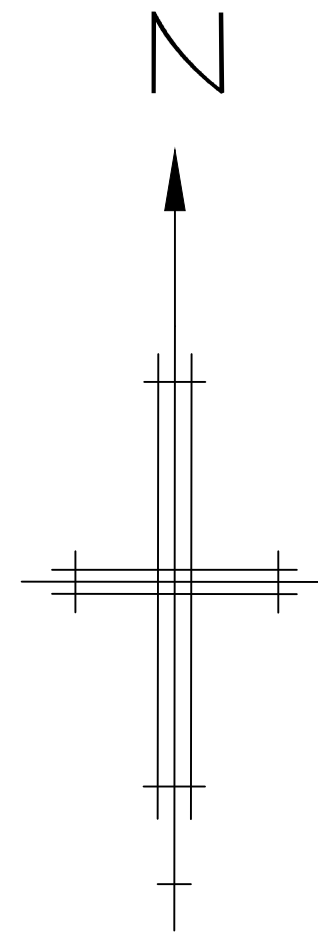


BLOCK PLAN ~ 1:200



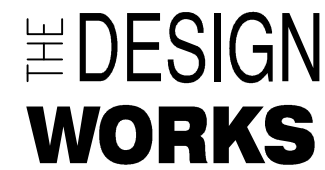
(c) UKMap Copyright, The GeoInformation Group 2015 Licence No. LAN/M/LON/C0009/21116

LOCATION PLAN ~ 1:1250



REV C - First floor extension removed	18/07/2017
REV B - Second floor extension removed and first floor extension set back 1.0m	28/04/2017
REV A - Section lines relating to dwg 161028/13	13/12/2016
REVISIONS	DATE

Architectural  
Design & Planning  
32 Grange Road  
Plymouth PL7 2HY



t: 01752 341696  
f: 07973 136876

TITLE  
LOCATION & BLOCK PLANS

ADDRESS  
86 MILL LANE  
LONDON NW6 1NL

CLIENT  
HARRY & JACK HEYWOOD

SCALE 1:200 & 1:1250 © A3 DATE OCTOBER 2016

DRAWING No. 161028/02 REV. C