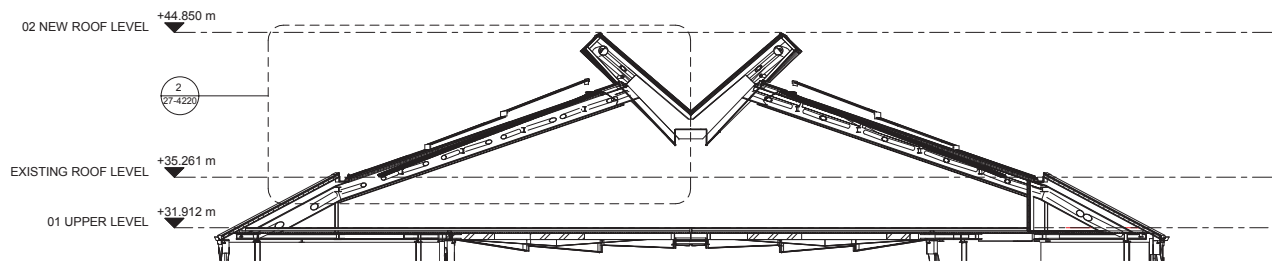
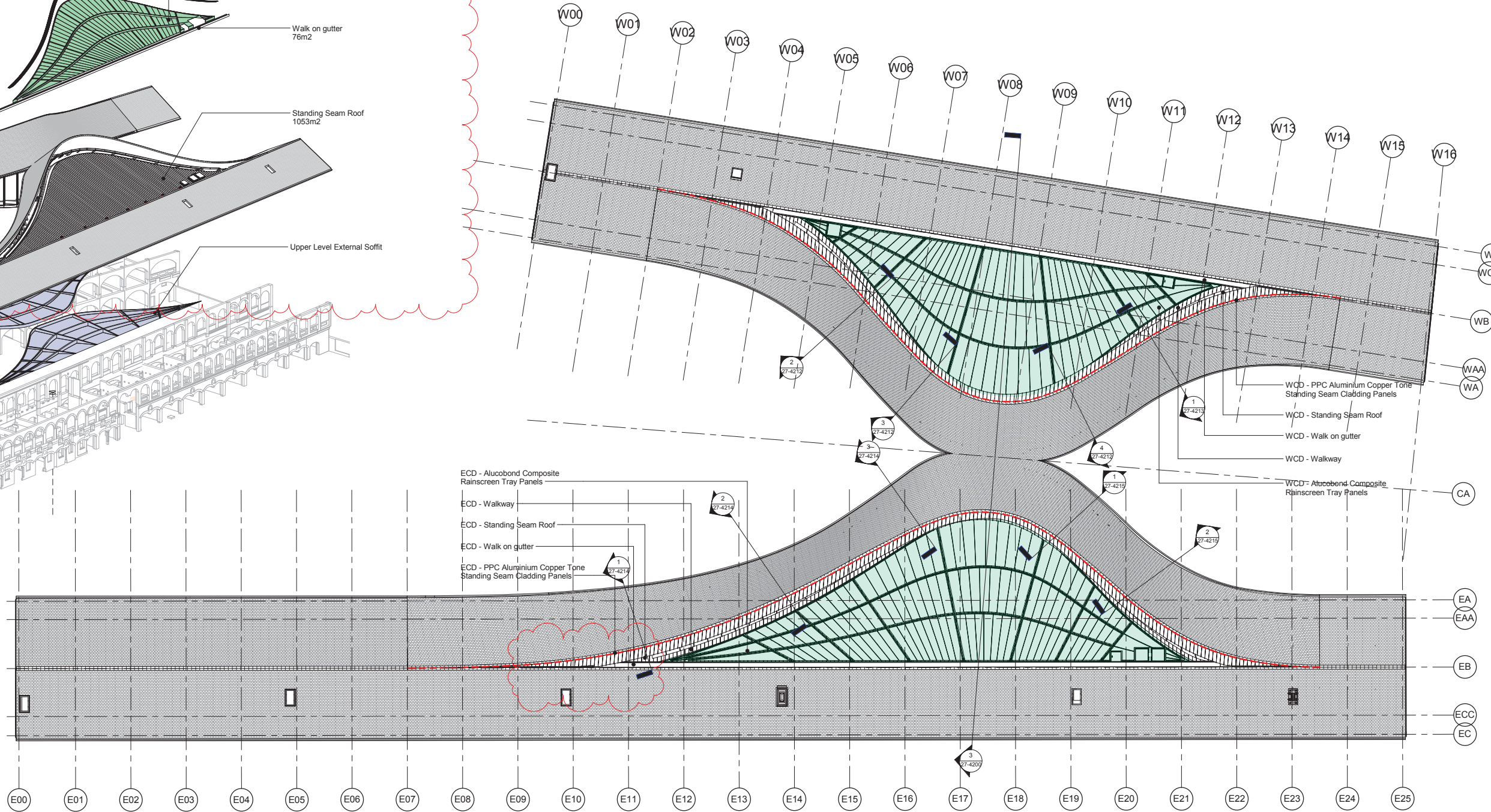


1 Roof Axonometric



3 Roof Section - East to West
 1 : 250



2 Roof Types Overview
 1 : 250

Status Code (as defined in BS1192)

Work In Progress (WIP)

S0 - Initial Status or WIP

Shared

S1 - Issued for co-ordination

S2 - Issued for information

S3 - Issued for internal review

S4 - Issued for construction approval

Documentation (Pre-construction)

D1 - Issued for costing

D2 - Issued for tender

D3 - Issued for contractor design

D4 - Issued for manufacture/procurement

Documentation (Contractual)

A - Issued for construction

B - Issued for construction but with comments

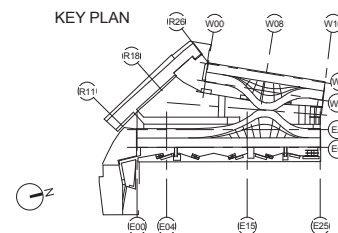
C - Comprehensive revision required

Archive

AB - Record Drawing

06	JN	MWB	28/11/16	updated to HS comments
05	VH	MWB	08/07/16	updated to suit comments dated 20/06/16
04	VH	MWB	17/06/16	Construction Issue
03	JN	MWB	22/01/16	Notes updated
02	JN	MWB	22/12/15	Roof axo diagram updated
01	JN	MWB	14/10/15	Updated to reflect revised geometry and extents

KEY PLAN



bam

BAM Design Ltd
 An operating company of
 BAM Construct UK Ltd

Architecture
 Interior Design
 3D Visualisation
 Feasibility Studies
 Structural Engineering
 Environmental Services
 Building Information Modelling

Centium Business Park
 Griffiths Way, St Albans
 Hertfordshire, AL1 2RD
 01273 884200
 design@bam.co.uk
 www.bam.co.uk

project COAL DROPS YARD

Roof Overview

scale 1 : 250 @ A1

date 05/06/15

site allocation project

drawn BAM D

checked MB

Role CISFB

Content

BAM job no.

4389

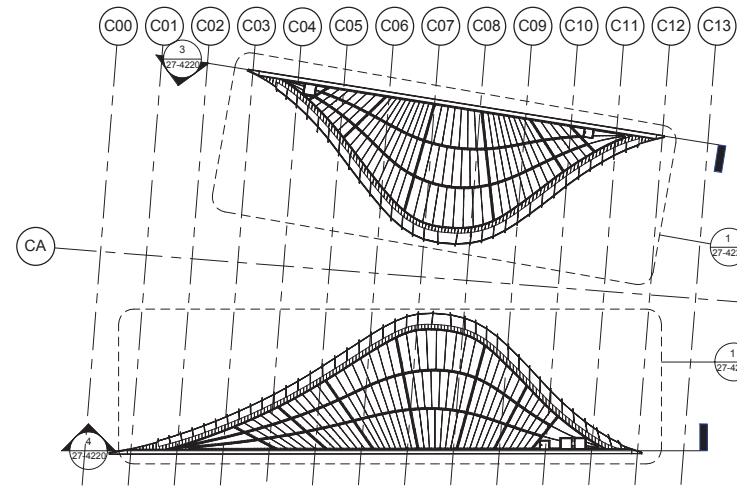
rev.

purpose of issue

CONSTRUCTION

S4

006



1 Cheek Plan Overview
 1 : 500

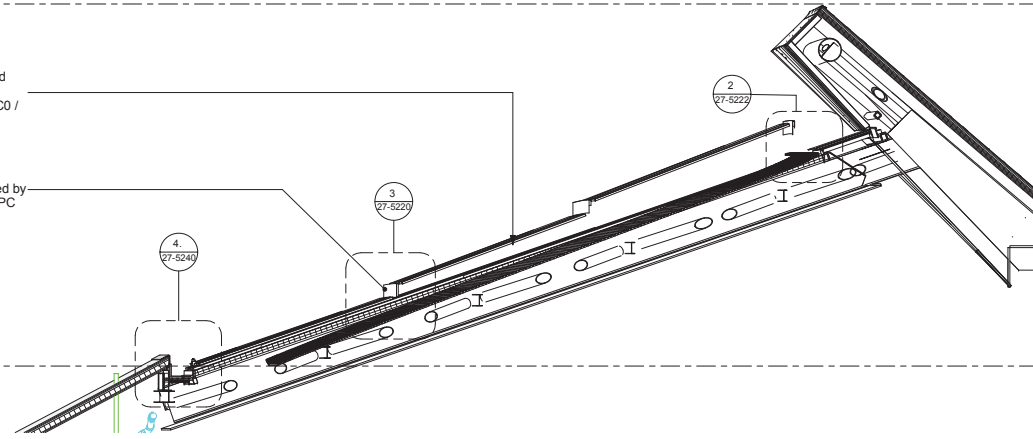
02 NEW ROOF LEVEL +44.850 m

BESPOKE FLAT ALUCOBOND PANELS :
 Alucobond rainscreen folded tray panels on standard sub-carrier system of varying heights fixed back to standing seam on 'E' clips - Finish: Anodized Look C0 / EV1. H92-120a

PPC 4mm CURVED ALUMINIUM RAINSCREEN FLASHING
 Flashing to be a constant height of 500mm supported by posts at 434 centres clamped to standing seams. PPC Aluminium finished with standard RAL colour. Z11

EXISTING ROOF LEVEL +35.261 m

2 Roof Section - Cheeks



02 NEW ROOF LEVEL +44.850 m

BESPOKE FLAT ALUCOBOND PANELS :
 Alucobond rainscreen folded tray panels on standard sub-carrier system of varying heights fixed back to standing seam on 'E' clips - Finish: Anodized Look C0 / EV1. H92-120a

BILCO ROOF ACCESS HATCH S-50T(a) :
 Access hatch (with ladder access), clad with Alucobond sheet finished flush to match rain screen panels. L20

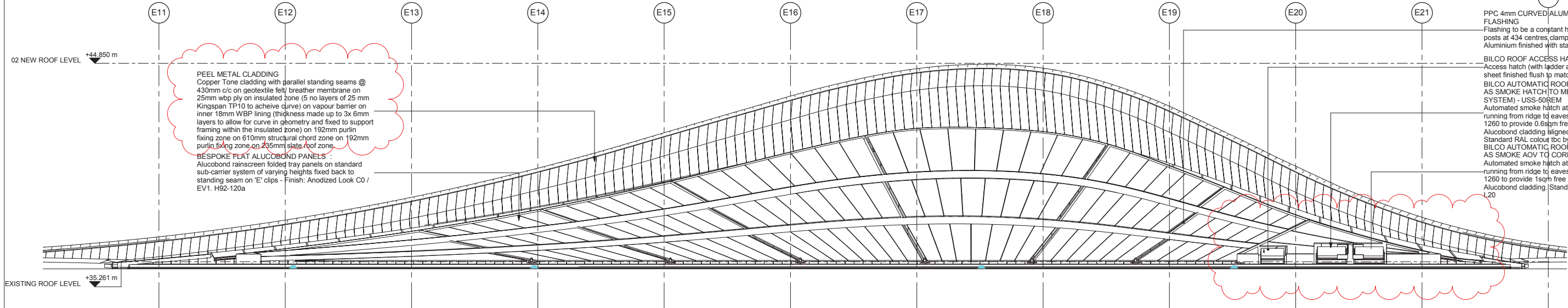
EXISTING ROOF LEVEL +35.261 m

PEEL METAL CLADDING
 Copper Tone cladding with parallel standing seams @ 430mm c/c on geotextile felt/ breather membrane on 25mm wbp ply on insulated zone (5 no layers of 25 mm Kingspan TP10 to achieve curve) on vapour barrier on inner 18mm WBP lining (thickness made up to 3x 6mm layers to allow for curve in geometry and fixed to support framing within the insulated zone) on 192mm purlin fixing zone on 610mm structural chord zone on 192mm purlin fixing zone on 235mm slate roof zone.

PPC 4mm CURVED ALUMINIUM RAINSCREEN FLASHING
 Flashing to be a constant height of 500mm supported by posts at 434 centres clamped to standing seams. PPC Aluminium finished with standard RAL colour. Z11

BILCO AUTOMATIC ROOF ACCESS HATCH (USED AS SMOKE HATCH TO MECHANICAL EXTRACT SYSTEM) - USS-50REM
 Automated smoke hatch at 17 degrees with hinge running from ridge to eaves. Clear opening of 1260 x 1260 to provide 0.6sqm free area and finished to match Alucobond cladding aligned flush with adjacent panels. Standard RAL colour tbc by CMT. L20

3 M1 Cheeks Elevation
 1 : 100



02 NEW ROOF LEVEL +44.850 m

PEEL METAL CLADDING
 Copper Tone cladding with parallel standing seams @ 430mm c/c on geotextile felt/ breather membrane on 25mm wbp ply on insulated zone (5 no layers of 25 mm Kingspan TP10 to achieve curve) on vapour barrier on inner 18mm WBP lining (thickness made up to 3x 6mm layers to allow for curve in geometry and fixed to support framing within the insulated zone) on 192mm purlin fixing zone on 610mm structural chord zone on 192mm purlin fixing zone on 235mm slate roof zone.

BESPOKE FLAT ALUCOBOND PANELS :
 Alucobond rainscreen folded tray panels on standard sub-carrier system of varying heights fixed back to standing seam on 'E' clips - Finish: Anodized Look C0 / EV1. H92-120a

EXISTING ROOF LEVEL +35.261 m

PPC 4mm CURVED ALUMINIUM RAINSCREEN FLASHING
 Flashing to be a constant height of 500mm supported by posts at 434 centres, clamped to standing seams. PPC Aluminium finished with standard RAL colour. Z11

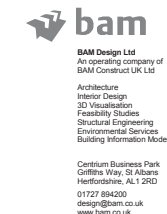
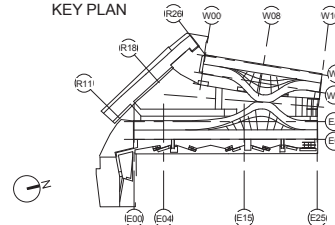
BILCO ROOF ACCESS HATCH S-50T(a) :
 Access hatch (with ladder access), clad with Alucobond sheet finished flush to match rain screen panels. L20

BILCO AUTOMATIC ROOF ACCESS HATCH (USED AS SMOKE HATCH TO MECHANICAL EXTRACT SYSTEM) - USS-50REM
 Automated smoke hatch at 17 degrees with hinge running from ridge to eaves. Clear opening of 1260 x 1260 to provide 0.6sqm free area and finished to match Alucobond cladding aligned flush with adjacent panels. Standard RAL colour tbc by CMT. L20

BILCO AUTOMATIC ROOF ACCESS HATCH (USED AS SMOKE HATCH TO MECHANICAL EXTRACT SYSTEM) - USS-50REM
 Automated smoke hatch at 17 degrees with hinge running from ridge to eaves. Clear opening of 1260 x 1260 to provide 0.6sqm free area and finished to match Alucobond cladding. Standard RAL colour tbc by CMT. L20

4 M2 Cheeks Elevation
 1 : 100

KEY PLAN



project COAL DROPS YARD

title Cheeks Overview

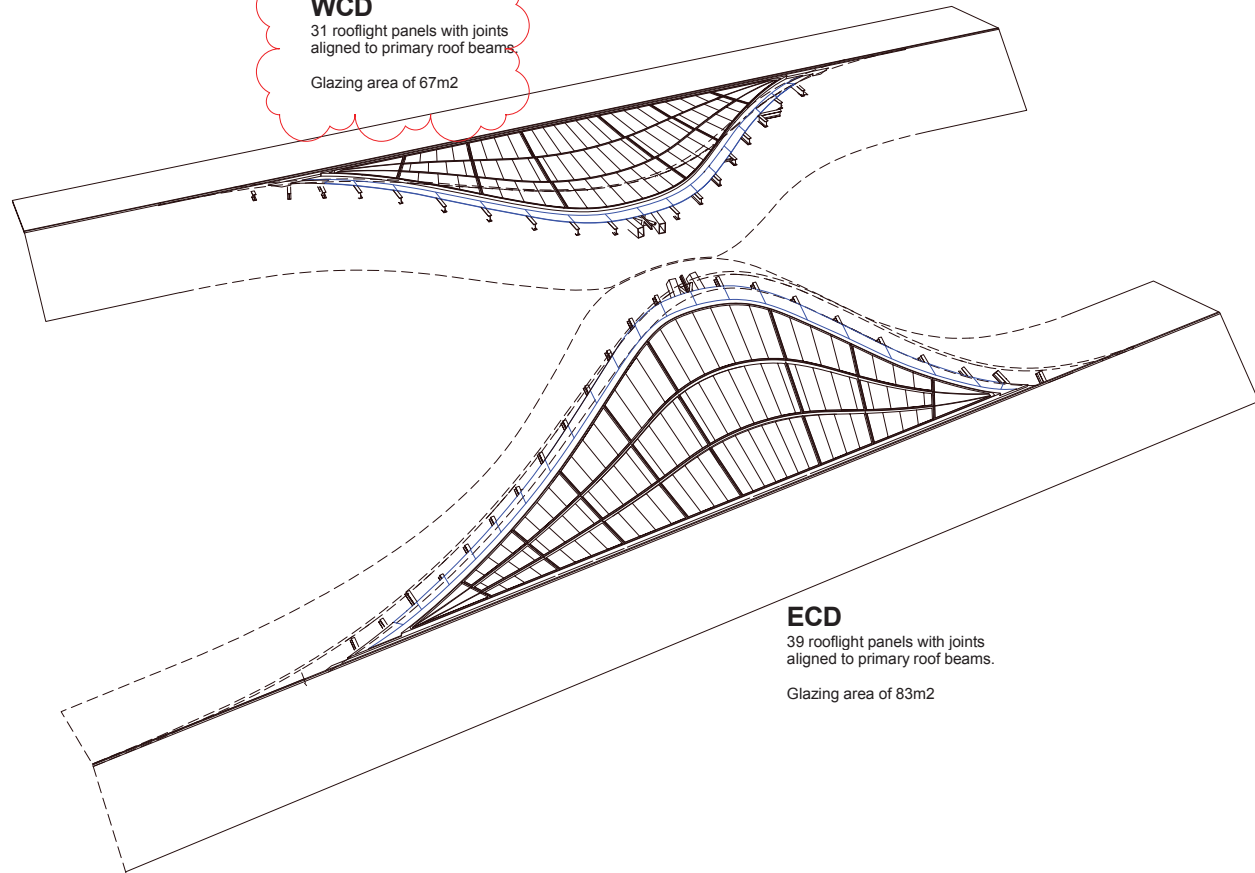
purpose of issue CONSTRUCTION

scale As indicated @ A1
 date 05/06/15
 site 0127 BM4200
 design@bam.co.uk
 drawn BAM D
 checked MB
 consultant Role CISFB Content
 BAM job no. 4389
 rev. S4
 005

05	JN	MWB	28/11/16	Rainscreen panels and flashing updated
04	JN	MWB	12/08/16	Constant force posts added. Notes updated
03	JN	MWB	18/01/16	Heights and angle of cladding panels updated. Notes amended
02	JN	MWB	22/12/15	Copper-tone standing seam geometry updated
01	JN	MWB	14/10/15	Updated to reflect revised geometry and extents

WCD

31 rooflight panels with joints aligned to primary roof beams
 Glazing area of 67m²

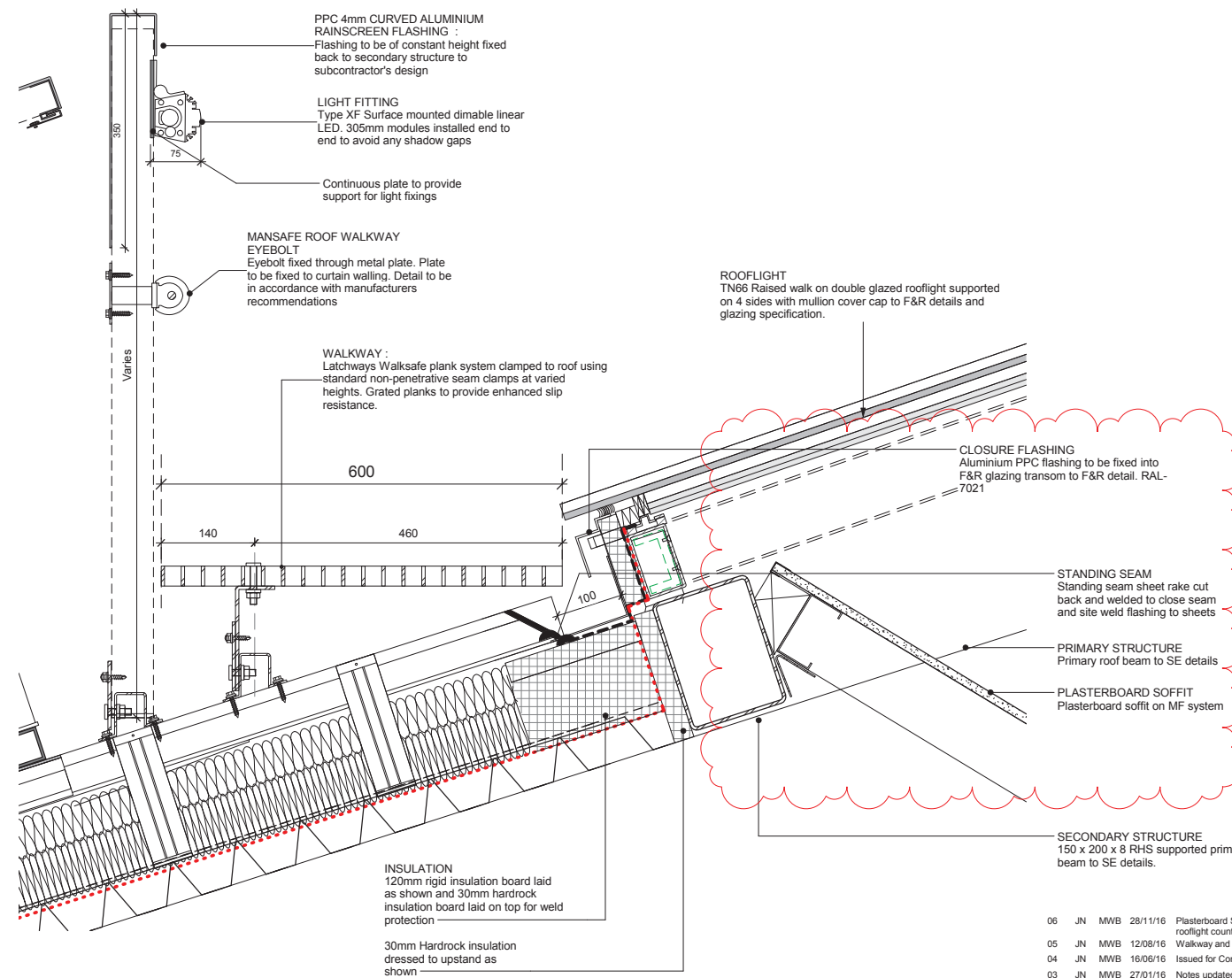


ECD

39 rooflight panels with joints aligned to primary roof beams.
 Glazing area of 83m²

1 Rooflight and Walkway Diagram

1 : 250

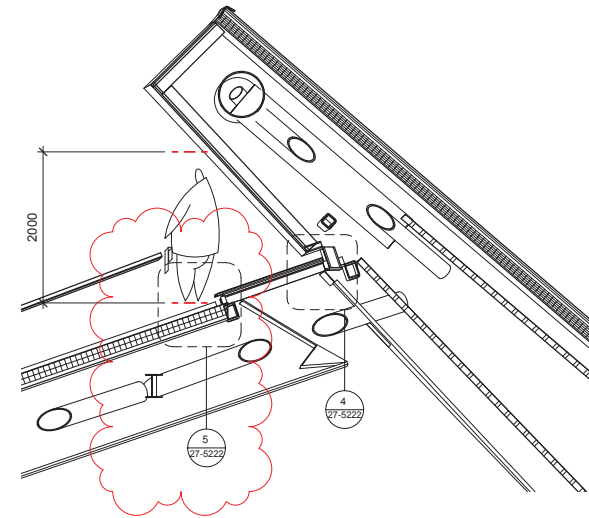


5 Rooflight Detail 01

1 : 5

2 Rooflight Detail Reference Section

1 : 50



SECONDARY STRUCTURE
 142 Z purlin fixed to variable cleat to primary peel chords - to be confirmed by Severfeld. Brackets placed at 300mm centres

PEEL METAL CLADDING
 Copper Tone cladding with parallel standing seams @ 430mm c/c on geotextile felt/ breather membrane on 25mm wbp ply on insulated zone (5 no layers of 25 mm Kingspan TP10 to achieve curve) on vapour barrier on inner 18mm WBP lining (thickness made up to 3x 6mm layers to allow for curve in geometry and fixed to support framing within the insulated zone) on 192mm purlin fixing zone on 610mm structural chord zone on 192mm purlin fixing zone on 235mm slate roof zone.

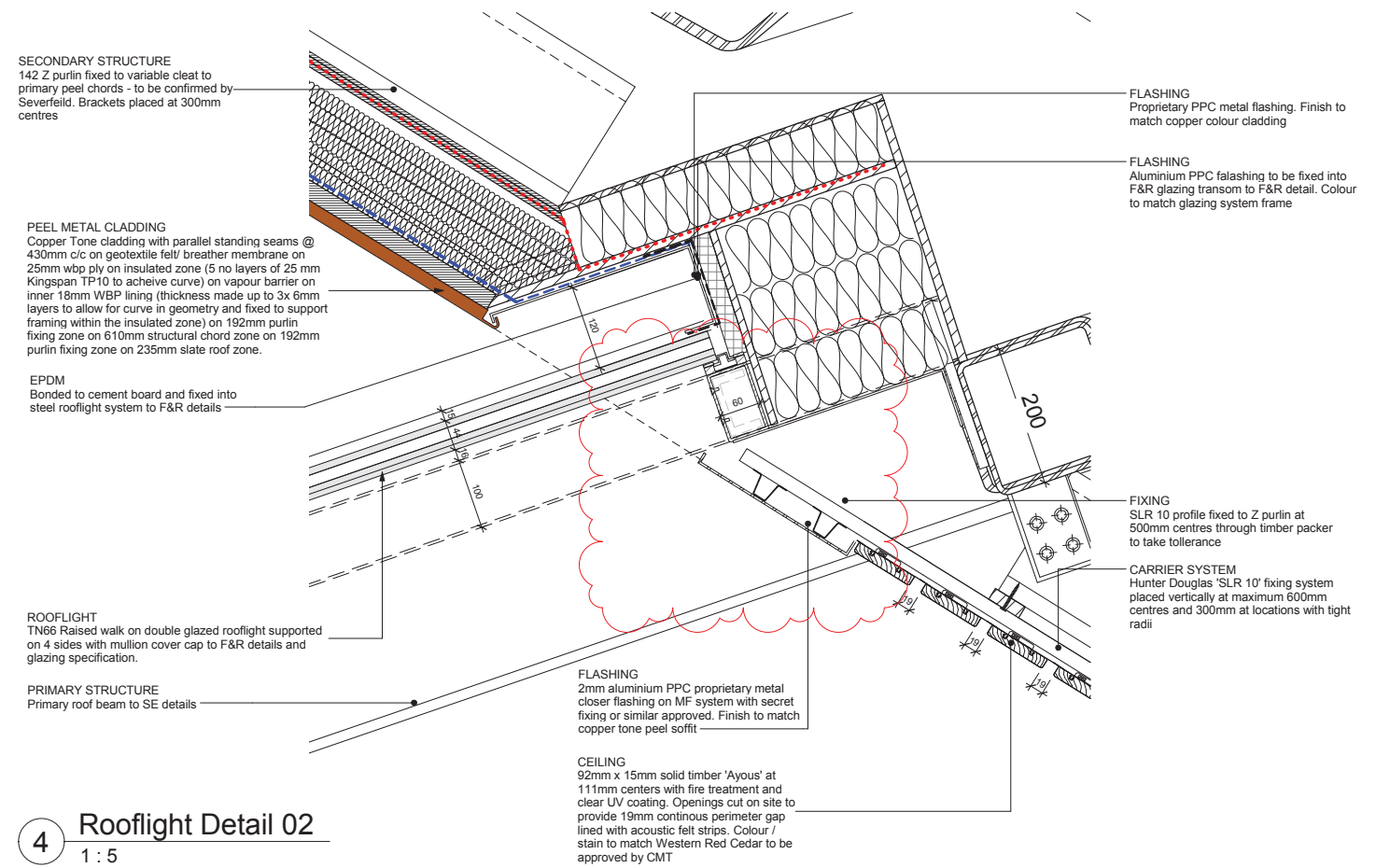
EPDM
 Bonded to cement board and fixed into steel rooflight system to F&R details

ROOFLIGHT
 TN66 Raised walk on double glazed rooflight supported on 4 sides with mullion cover cap to F&R details and glazing specification.

PRIMARY STRUCTURE
 Primary roof beam to SE details

4 Rooflight Detail 02

1 : 5



FLASHING
 Proprietary PPC metal flashing. Finish to match copper colour cladding

FLASHING
 Aluminium PPC flashing to be fixed into F&R glazing transom to F&R detail. Colour to match glazing system frame

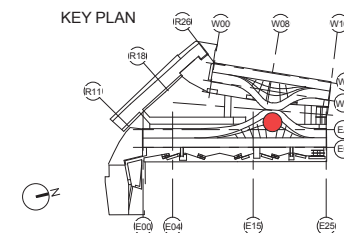
FIXING
 SLR 10 profile fixed to Z purlin at 500mm centres through timber packer to take tolerance

CARRIER SYSTEM
 Hunter Douglas 'SLR 10' fixing system placed vertically at maximum 600mm centres and 300mm at locations with tight radii

FLASHING
 2mm aluminium PPC proprietary metal closer flashing on MF system with secret fixing or similar approved. Finish to match copper tone peel soffit

CEILING
 92mm x 15mm solid timber 'Ayous' at 111mm centers with fire treatment and clear UV coating. Openings cut on site to provide 19mm continuous perimeter gap lined with acoustic felt strips. Colour / stain to match Western Red Cedar to be approved by CMT

KEY PLAN

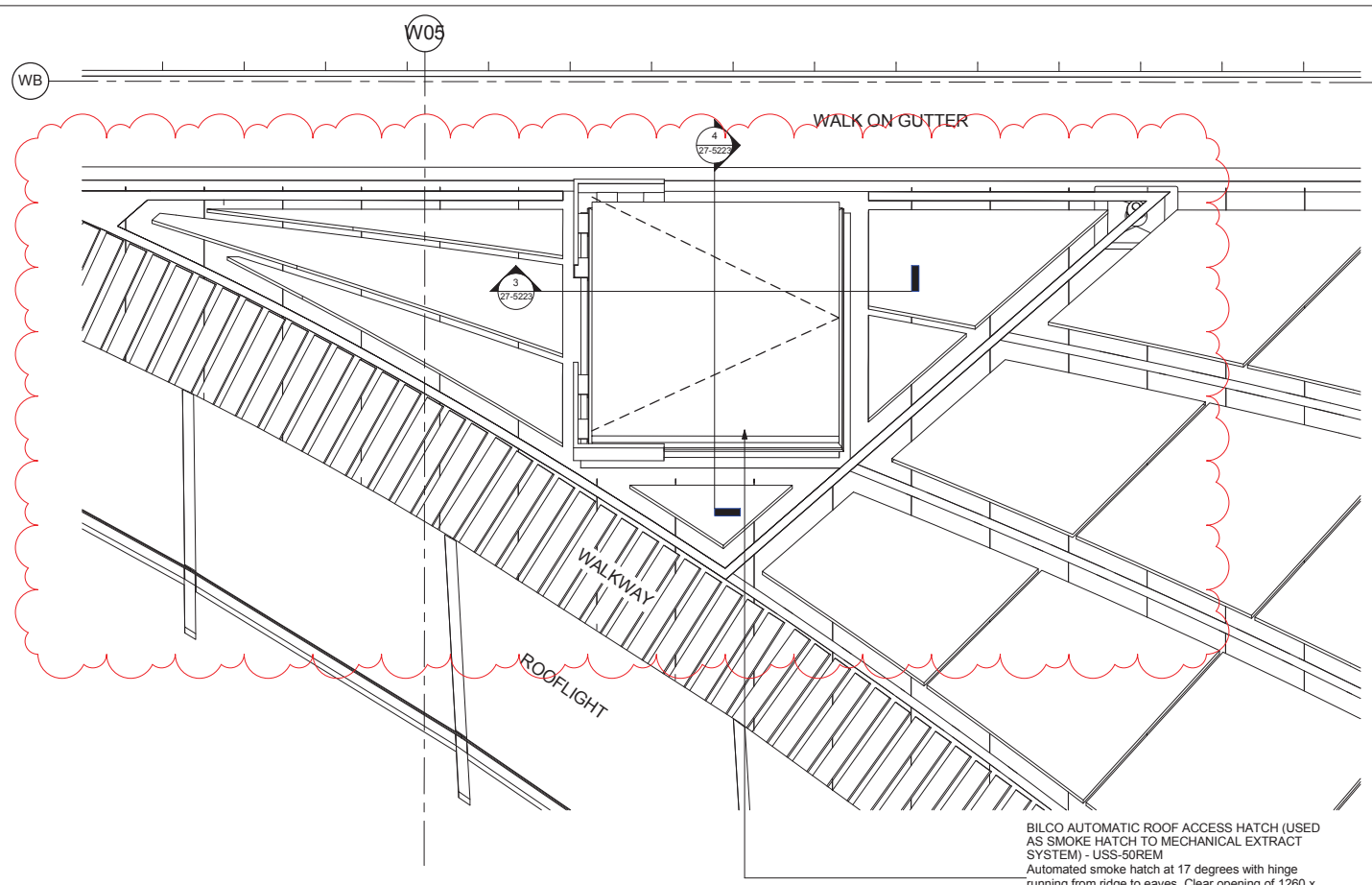


project **COAL DROPS YARD**

title **Typical Roof-Light Details**

scale **As indicated @ A1** draw **JN** BAM job no. **05/06/15** checked **MWB** **4389** **S4**
 date **05/06/15** site **01272 884200** consultant **design@bam.co.uk** role **CISFB** content **006**
 dpg / doc ref **KXC-M0-001-BD4389-A-27-5222**

rev	by	end	date	description
06	JN	MWB	28/11/16	Plasterboard Soffit and notes updated. WCD rooflight count updated
05	JN	MWB	12/08/16	Walkway and mansafe system updated
04	JN	MWB	16/06/16	Issued for Construction
03	JN	MWB	27/01/16	Notes updated, lighting support plate added
02	JN	MWB	22/12/15	Details updated to F&R arrangement. Rooflight panels updated and walkway information added
01	JN	MWB	20/11/15	Secondary structure added and updated area (all details updated)



1 M1 Smoke Extraction
 1 : 20

BILCO AUTOMATIC ROOF ACCESS HATCH (USED AS SMOKE HATCH TO MECHANICAL EXTRACT SYSTEM) - USS-50REM
 Automated smoke hatch at 17 degrees with hinge running from ridge to eaves. Clear opening of 1260 x 1260 to provide 0.6sqm free area and finished to match Alucobond cladding aligned flush with adjacent panels. Standard RAL colour tbc by CMT. L20

BILCO AUTOMATIC ROOF ACCESS HATCH (USED AS SMOKE HATCH TO MECHANICAL EXTRACT SYSTEM) - USS-50REM
 Automated smoke hatch at 17 degrees with hinge running from ridge to eaves. Clear opening of 1260 x 1260 to provide 0.6sqm free area and finished to match Alucobond cladding aligned flush with adjacent panels. Standard RAL colour tbc by CMT. L20

BILCO AUTOMATIC ROOF ACCESS HATCH (USED AS SMOKE AOV TO CORE) - USS-50REM
 Automated smoke hatch at 17 degrees with hinge running from ridge to eaves. Clear opening of 1260 x 1260 to provide 1sqm free area and finished to match Alucobond cladding. Standard RAL colour tbc by CMT. L20

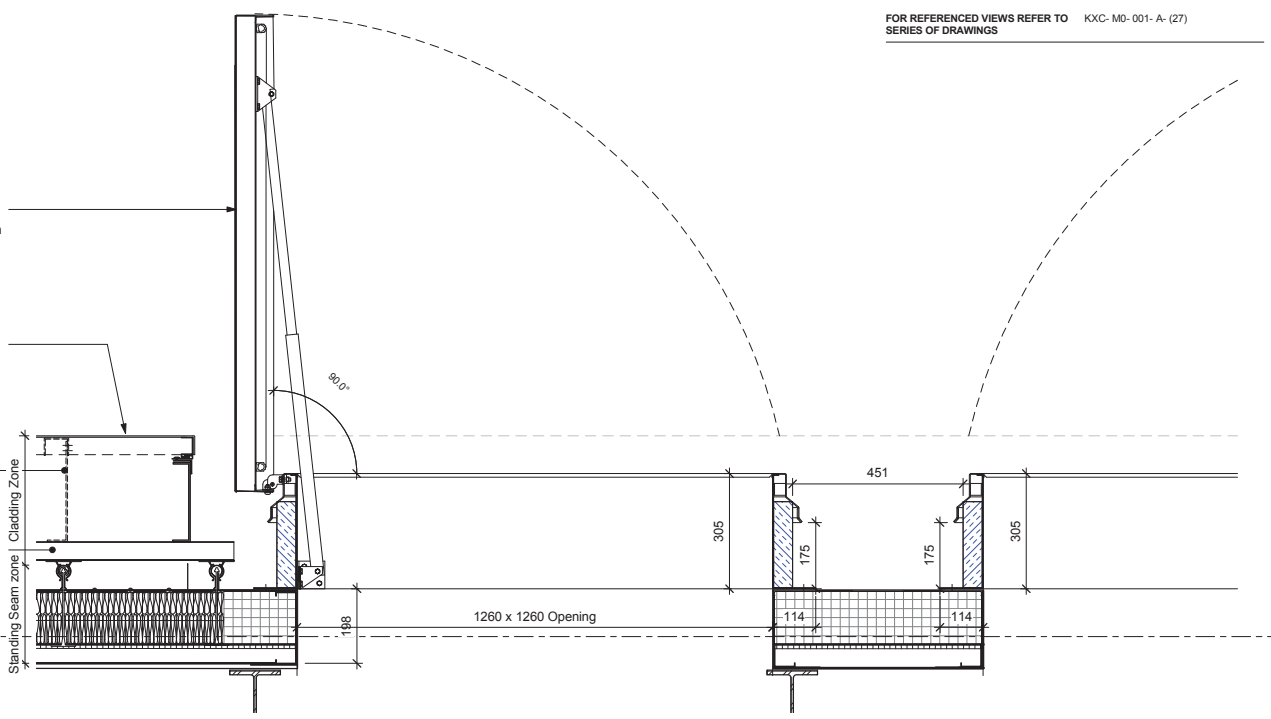
3 Typical Smoke Extract Horizontal Section
 1 : 10

BILCO AUTOMATIC ROOF ACCESS HATCH (USED AS SMOKE HATCH TO MECHANICAL EXTRACT SYSTEM) - USS-50REM
 Automated smoke hatch at 17 degrees with hinge running from ridge to eaves. Clear opening of 1260 x 1260 to provide 0.6sqm free area and finished to match Alucobond cladding aligned flush with adjacent panels. Standard RAL colour tbc by CMT. L20

BESPOKE FLAT ALUCOBOND PANELS :
 Alucobond rainscreen folded tray panels on standard sub-carrier system of varying heights fixed back to standing seam on 'E' clips - Finish: Anodized Look C0 / EV1. H92-120a

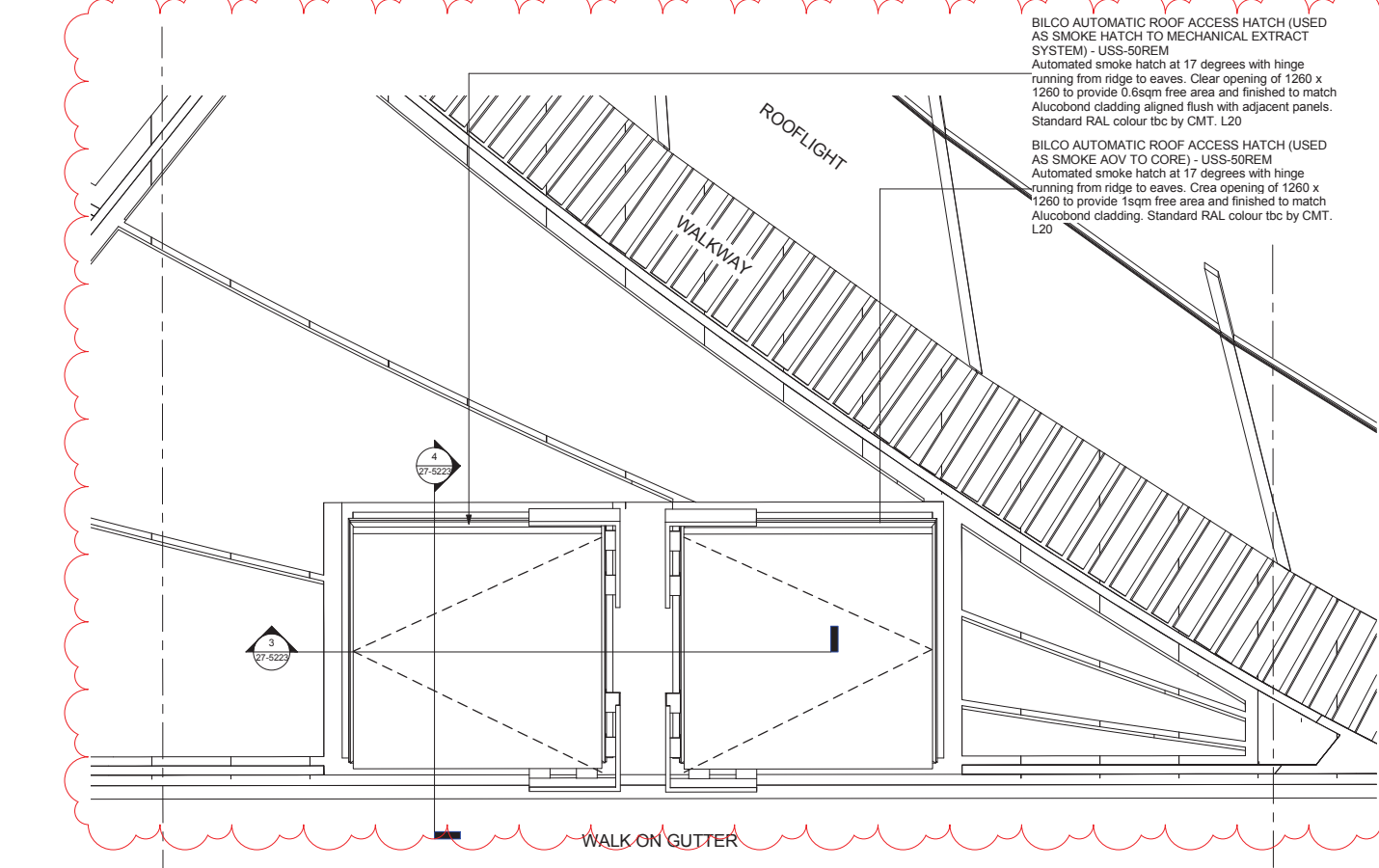
SECONDARY STIFFENER FIXING
 Provisional mid panel stiffener if required subject to wind load calculations

SUB CARRIER RAIL
 Sub carrier support rail @ 500mm c/c fixed to standing seam @ 800 c/c subject to wind loading calculations



BESPOKE FLAT ALUCOBOND PANELS :
 Alucobond rainscreen folded tray panels on standard sub-carrier system of varying heights fixed back to standing seam on 'E' clips - Finish: Anodized Look C0 / EV1. H92-120a

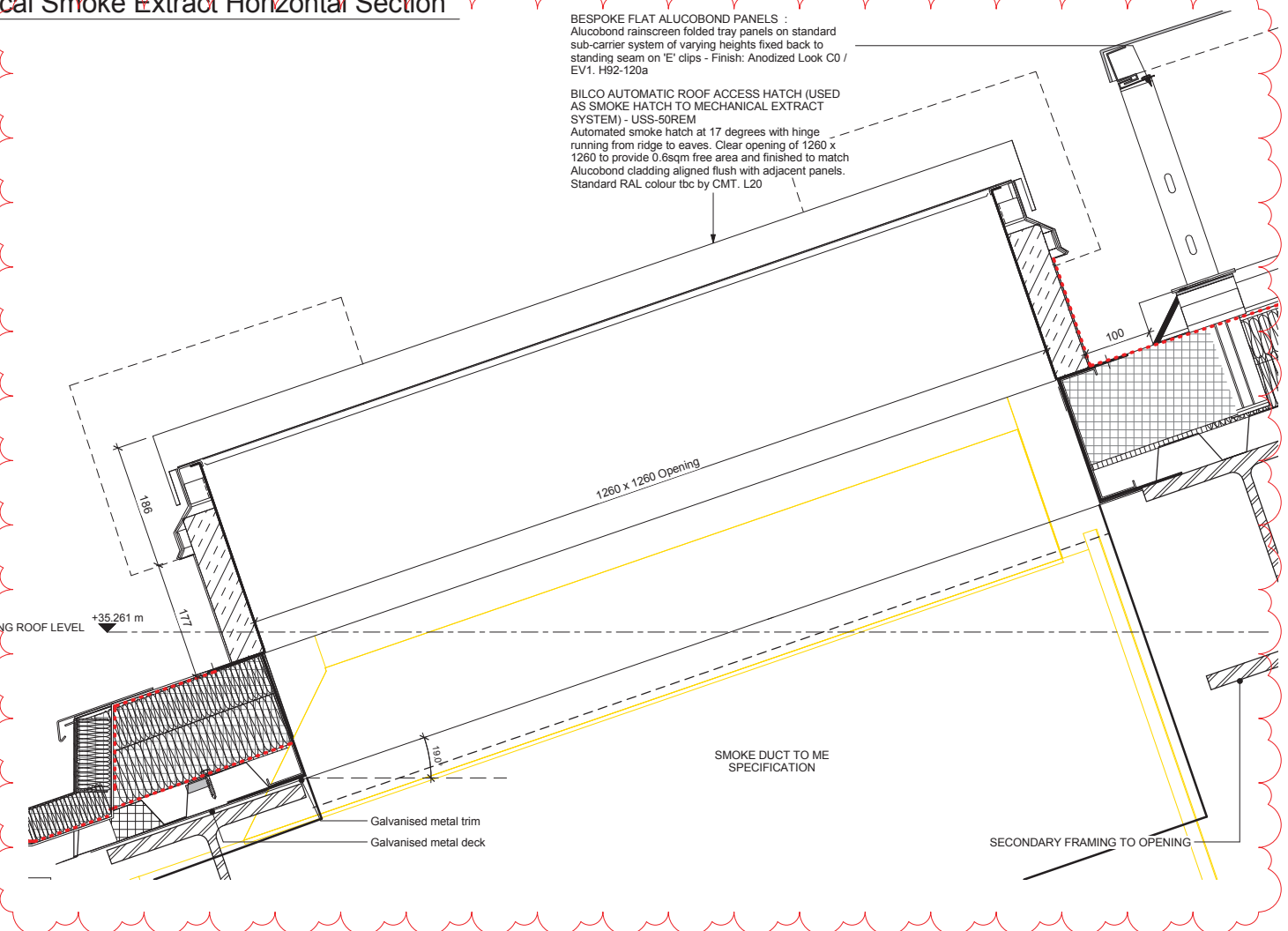
BILCO AUTOMATIC ROOF ACCESS HATCH (USED AS SMOKE HATCH TO MECHANICAL EXTRACT SYSTEM) - USS-50REM
 Automated smoke hatch at 17 degrees with hinge running from ridge to eaves. Clear opening of 1260 x 1260 to provide 0.6sqm free area and finished to match Alucobond cladding aligned flush with adjacent panels. Standard RAL colour tbc by CMT. L20



2 M2 Enlarged Penetrations
 1 : 20

4 Typical Smoke Extract Vertical Section
 1 : 5

EXISTING ROOF LEVEL +35.261 m



no.	by	date	description
05	JN	MWB	28/11/16 Corner panels updated. Hatch panel alignment amended
04	JN	MWB	12/08/16 Hatch / Walkway interface updated
03	JN	MWB	17/02/16 Smoke hatch orientation updated with additional detail
02	JN	MWB	27/01/16 Smoke hatch notes and extent updated
01	JN	MWB	14/10/15 Updated to reflect revised geometry and extents



project	COAL DROPS YARD		
title	Typical Smoke Extract Hatch Details		
scale	As indicated @ A1	drawn	V/H
date	05/06/15	checked	MB
site	01273 884200	Role	CISFB
design@bam.co.uk	www.bam.co.uk	Consultant	4389
purpose of issue	CONSTRUCTION		rev
			005

BILCO AUTOMATIC ROOF ACCESS HATCH (USED AS SMOKE HATCH TO MECHANICAL EXTRACT SYSTEM) - USS-50REM
 Automated smoke hatch at 17 degrees with hinge running from ridge to eaves. Clear opening of 1260 x 1260 to provide 0.6sqm free area and finished to match Alucobond cladding aligned flush with adjacent panels. Standard RAL colour tbc by CMT. L20

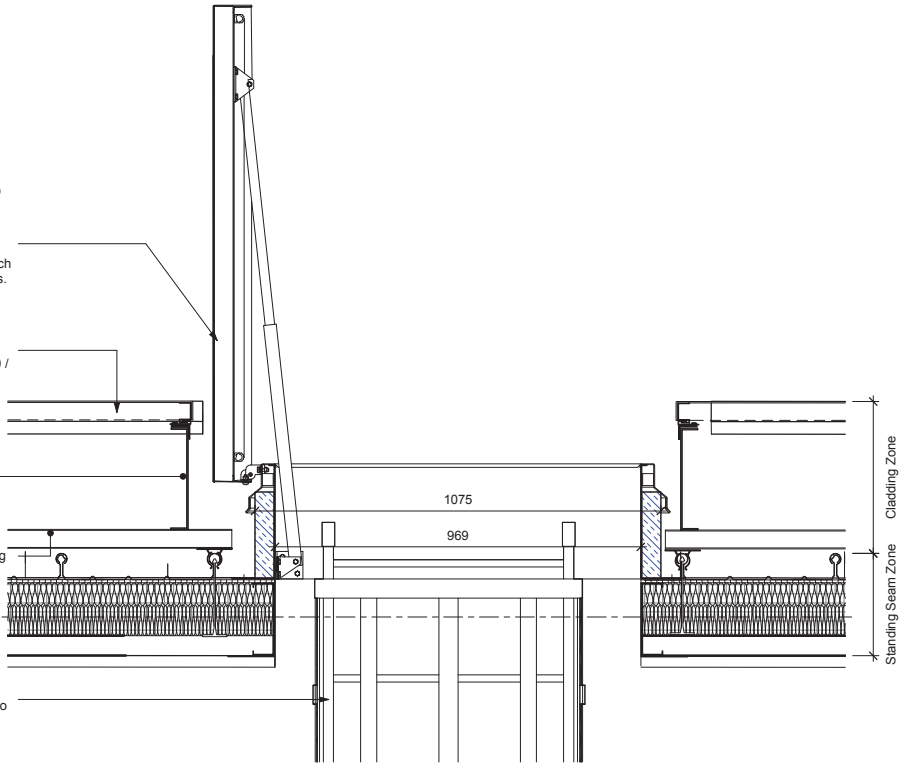
BESPOKE FLAT ALUCOBOND PANELS :
 Alucobond rainscreen folded tray panels on standard sub-carrier system of varying heights fixed back to standing seam on 'E' clips - Finish: Anodized Look C0 / EV1. H92-120a

SECONDARY STIFFENER FIXING
 Provisional mid panel stiffener if required subject to wind load calculations

SUB CARRIER RAIL
 Sub carrier support rail @ 500mm c/c fixed to standing seam @ 800 c/c subject to wind loading calculations

EXISTING ROOF LEVEL +35.261 m

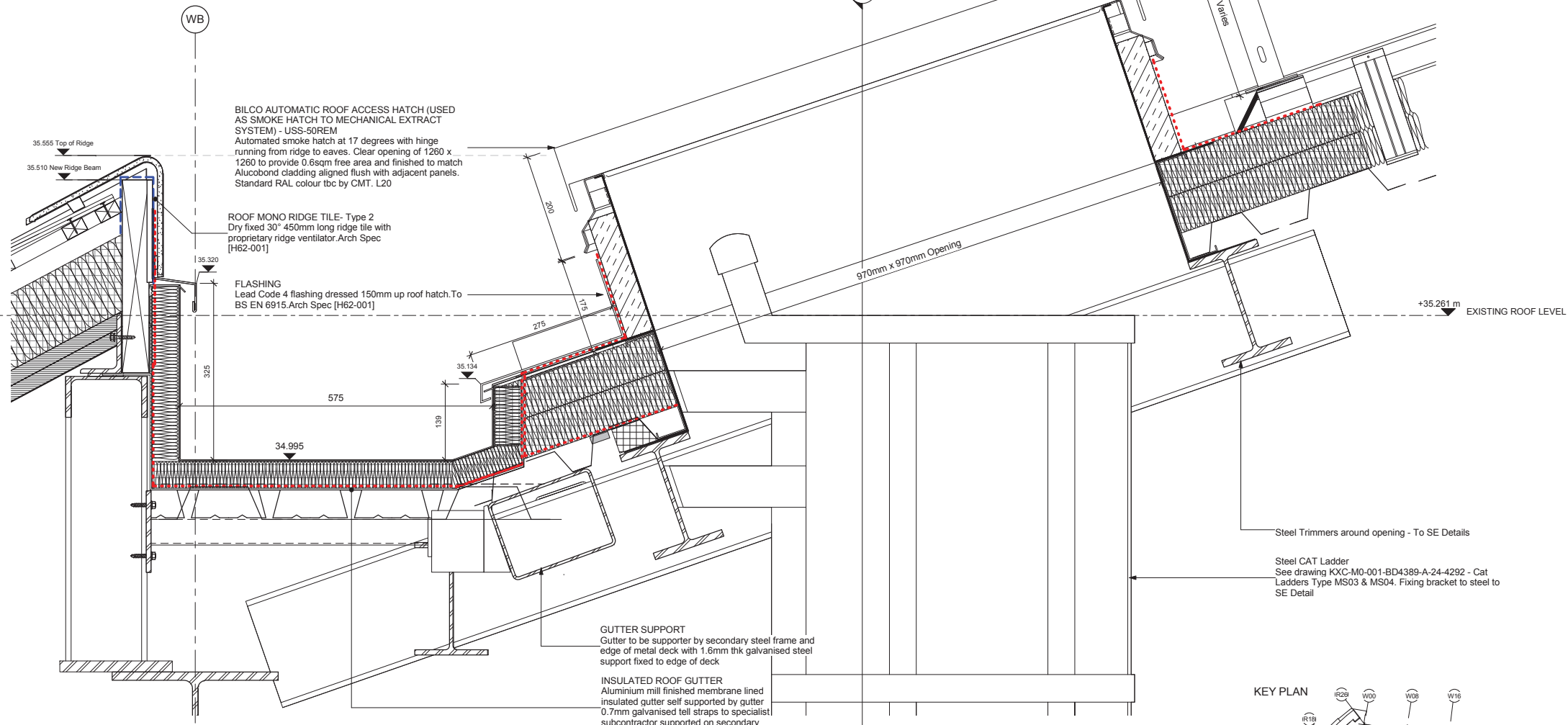
Steel CAT Ladder
 See drawing KXC-M0-001-BD4389-A-24-4292 - Cat Ladders Type MS03 & MS04. Fixing bracket to steel to SE Detail



1 Typical Roof Access Hatch Section B
 1 : 10

BESPOKE FLAT ALUCOBOND PANELS :
 Alucobond rainscreen folded tray panels on standard sub-carrier system of varying heights fixed back to standing seam on 'E' clips - Finish: Anodized Look C0 / EV1. H92-120a

1
27-5224

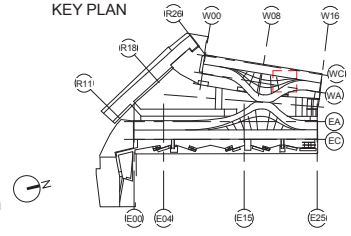


2 Typical Roof Access Hatch Section A
 1 : 5

GUTTER SUPPORT
 Gutter to be supported by secondary steel frame and edge of metal deck with 1.6mm thick galvanised steel support fixed to edge of deck

INSULATED ROOF GUTTER
 Aluminium mill finished membrane lined insulated gutter self supported by gutter 0.7mm galvanised tell straps to specialist subcontractor supported on secondary deck to SE details

KEY PLAN



Steel CAT Ladder
 See drawing KXC-M0-001-BD4389-A-24-4292 - Cat Ladders Type MS03 & MS04. Fixing bracket to steel to SE Detail

3 M2 Roof Access Hatch
 1 : 20

4 M1 Roof Access Hatch
 1 : 20

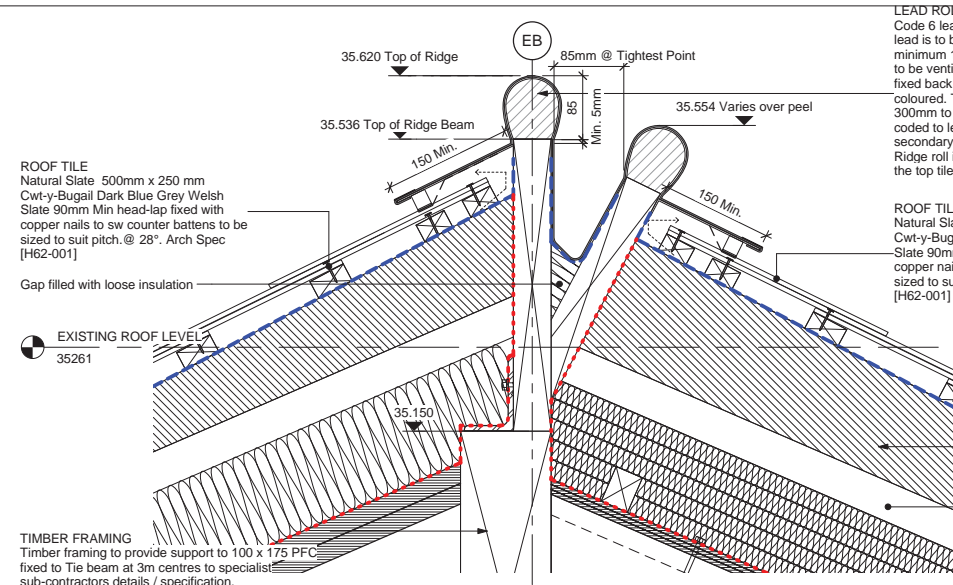
02	JN	MWB	28/11/16	Corner panels updated. Hatch / Panel alignment amended
01	JN	MWB	14/10/15	Updated to reflect revised geometry and extents
rev	by	date	description	



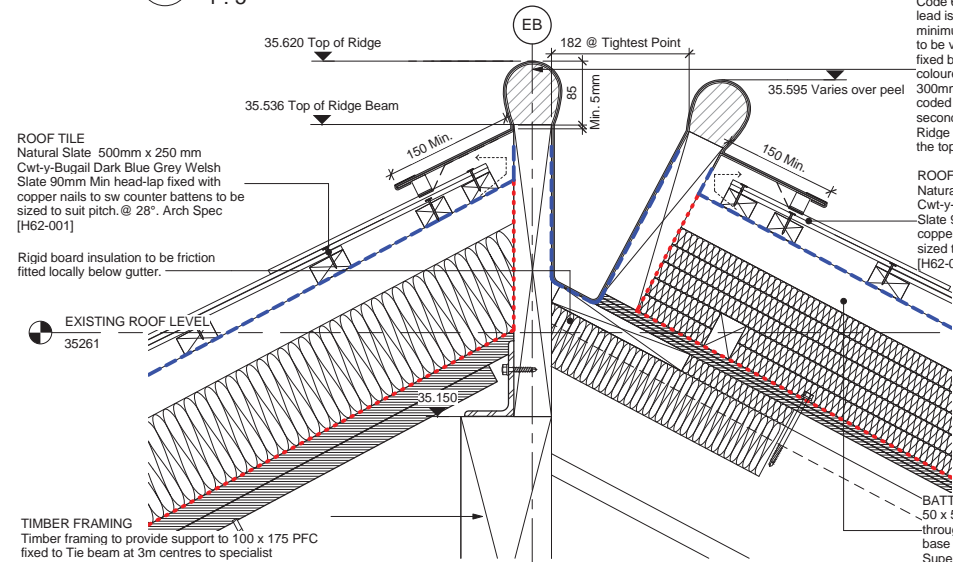
bam
 B&M Design Ltd
 An operating company of
 BAM Construct UK Ltd
 Architecture
 Interior Design
 3D Visualisation
 Feasibility Studies
 Structural Engineering
 Environmental Services
 Building Information Modelling

Centrium Business Park
 Giffords Way, St Albans
 Hertfordshire, AL1 2RD
 01272 884200
 design@bam.co.uk
 www.bam.co.uk

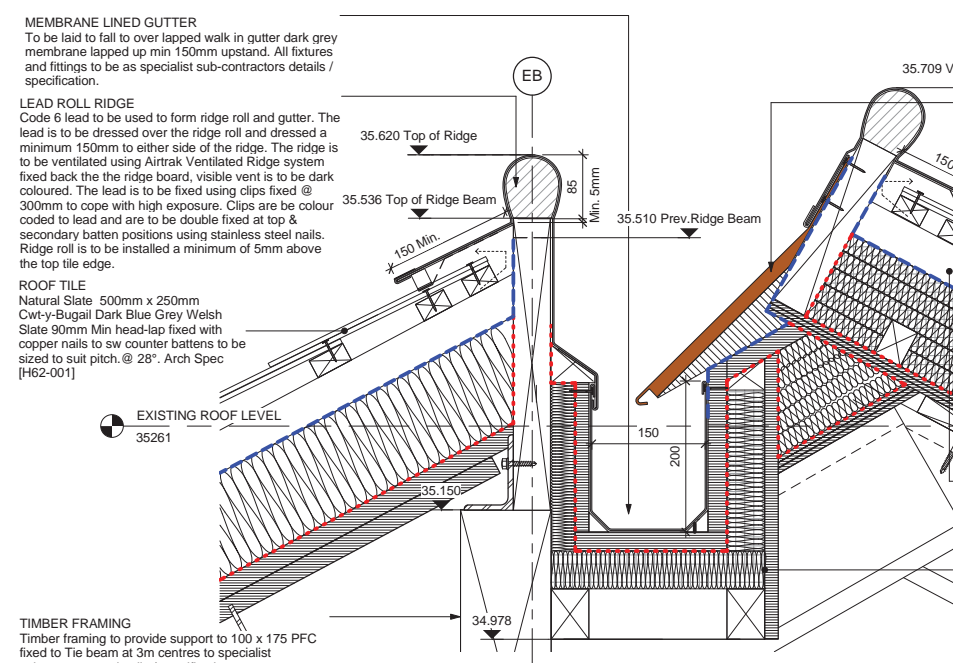
project	COAL DROPS YARD		
title	Typical Roof Access Hatch Details		
scale	As indicated @ A1	drawn	JN
date	05/06/15	checked	DGW
site	01272 884200	role	CISFB
client	KXC-M0-001-BD4389-A-27-5224	content	002
purpose of issue	CONSTRUCTION		
drawn	JN	BAM job no.	
checked	DGW	4389	S4
role	CISFB	content	002



1 Peel/ Gutter/ Ridge Junction- Detail 1
1 : 5



3 Peel/ Gutter/ Ridge Junction- Detail 3
1 : 5



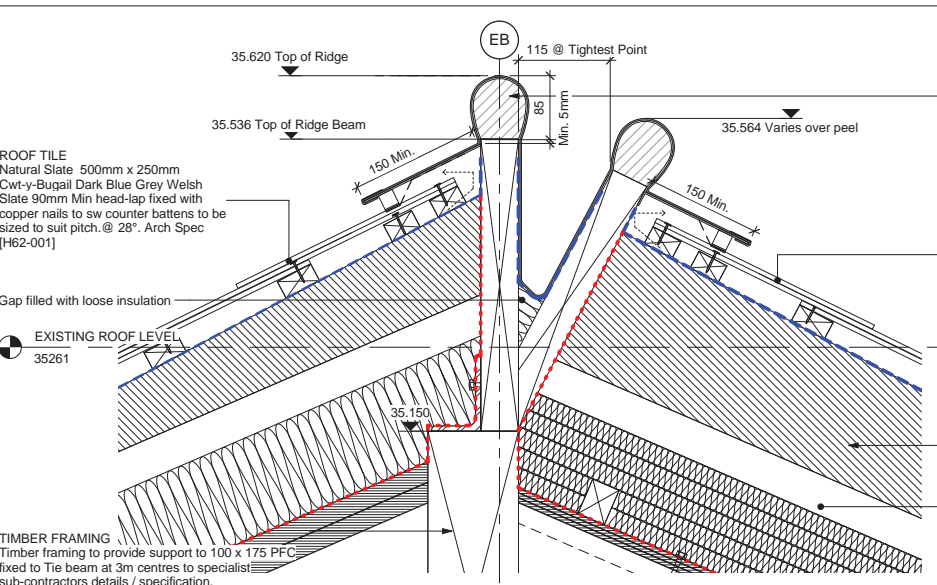
5 Peel/ Gutter/ Ridge Junction- Detail 5
1 : 5

LEAD ROLL RIDGE
Code 6 lead to be used to form ridge roll and gutter. The lead is to be dressed over the ridge roll and dressed a minimum 150mm to either side of the ridge. The ridge is to be ventilated using Airtrak Ventilated Ridge system fixed back the ridge board, visible vent is to be dark coloured. The lead is to be fixed using clips fixed @ 300mm to cope with high exposure. Clips are to be colour coded to lead and are to be double fixed at top & secondary batten positions using stainless steel nails. Ridge roll is to be installed a minimum of 5mm above the top tile edge.

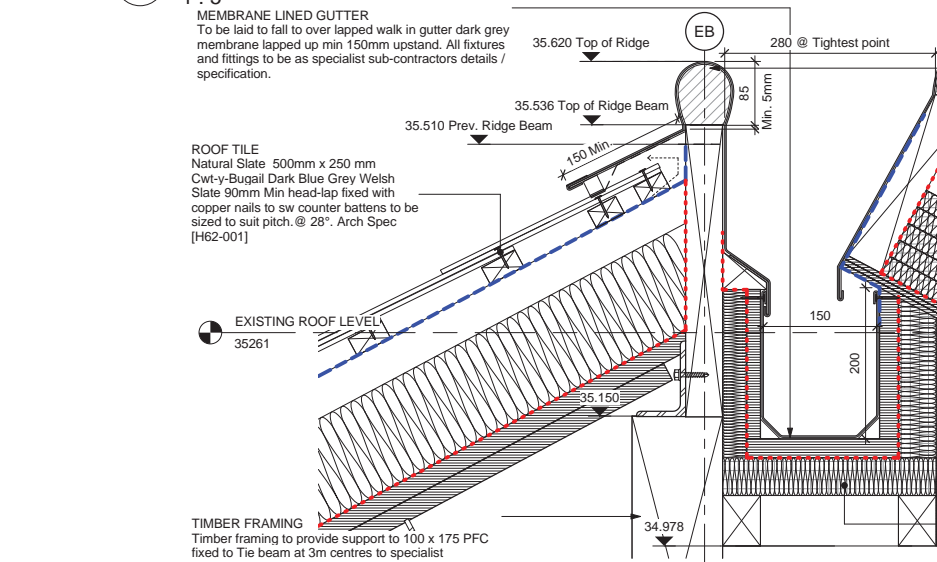
ROOF TILE
Natural Slate 500mm x 250mm
Cwt-y-Bugall Dark Blue Grey Welsh Slate 90mm Min head-lap fixed with copper nails to sw counter battens to be sized to suit pitch. @ 28°. Arch Spec [H62-001]

BATTENS
50 x 50mm counter battens fixed through insulation and into composite base of plywood sarking using InSkew Super 6, 6 x 215mm long fixings.

TIMBER FRAMING
Timber framing to provide support to 100 x 175 PFC fixed to Tie beam at 3m centres to specialist sub-contractors details / specification.



2 Peel/ Gutter/ Ridge Junction- Detail 2
1 : 5



4 Peel/ Gutter/ Ridge Junction- Detail 4
1 : 5

LEAD ROLL RIDGE
Code 6 lead to be used to form ridge roll and gutter. The lead is to be dressed over the ridge roll and dressed a minimum 150mm to either side of the ridge. The ridge is to be ventilated using Airtrak Ventilated Ridge system fixed back the ridge board, visible vent is to be dark coloured. The lead is to be fixed using clips fixed @ 300mm to cope with high exposure. Clips are to be colour coded to lead and are to be double fixed at top & secondary batten positions using stainless steel nails. Ridge roll is to be installed a minimum of 5mm above the top tile edge.

ROOF TILE
Natural Slate 500mm x 250mm
Cwt-y-Bugall Dark Blue Grey Welsh Slate 90mm Min head-lap fixed with copper nails to sw counter battens to be sized to suit pitch. @ 28°. Arch Spec [H62-001]

BATTENS
50 x 50mm counter battens fixed through insulation and into composite base of plywood sarking using InSkew Super 6, 6 x 215mm long fixings.

TIMBER FRAMING
Timber framing to provide support to 100 x 175 PFC fixed to Tie beam at 3m centres to specialist sub-contractors details / specification.

LEAD ROLL RIDGE
Code 6 lead to be used to form ridge roll and gutter. The lead is to be dressed over the ridge roll and dressed a minimum 150mm to either side of the ridge. The ridge is to be ventilated using Airtrak Ventilated Ridge system fixed back the ridge board, visible vent is to be dark coloured. The lead is to be fixed using clips fixed @ 300mm to cope with high exposure. Clips are to be colour coded to lead and are to be double fixed at top & secondary batten positions using stainless steel nails. Ridge roll is to be installed a minimum of 5mm above the top tile edge.

ROOF TILE
Natural Slate 500mm x 250mm
Cwt-y-Bugall Dark Blue Grey Welsh Slate 90mm Min head-lap fixed with copper nails to sw counter battens to be sized to suit pitch. @ 28°. Arch Spec [H62-001]

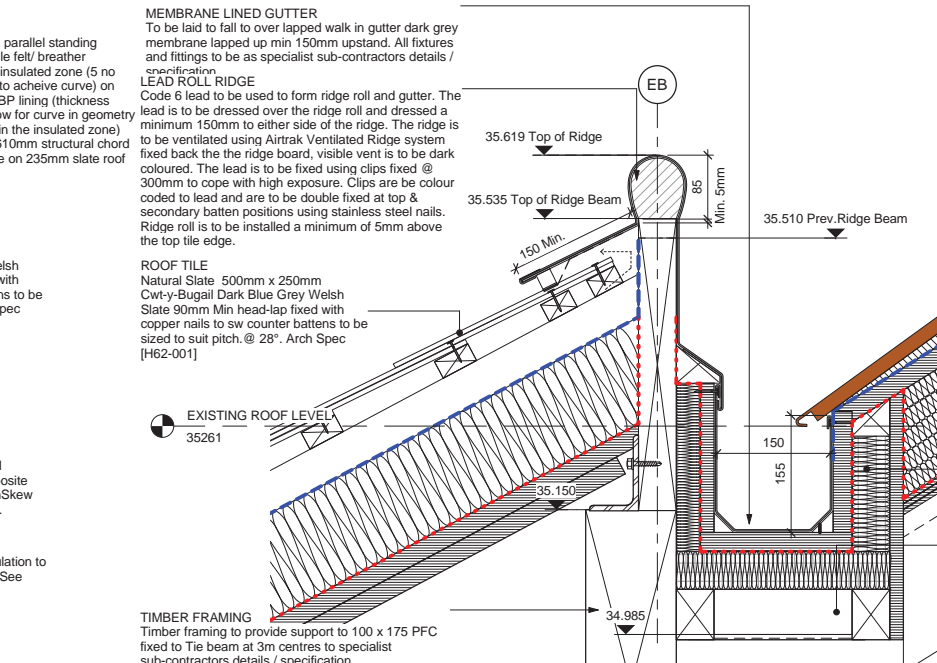
SECONDARY STRUCTURE
142 Z purlin fixed to variable cleat to primary peel chords - to be confirmed by Severfield. Brackets placed at 300mm centres

INSULATION
Kingspan TW50 50mm rigid insulation to achieve min value of 0.35 W/m². See Arch spec[P11-00]

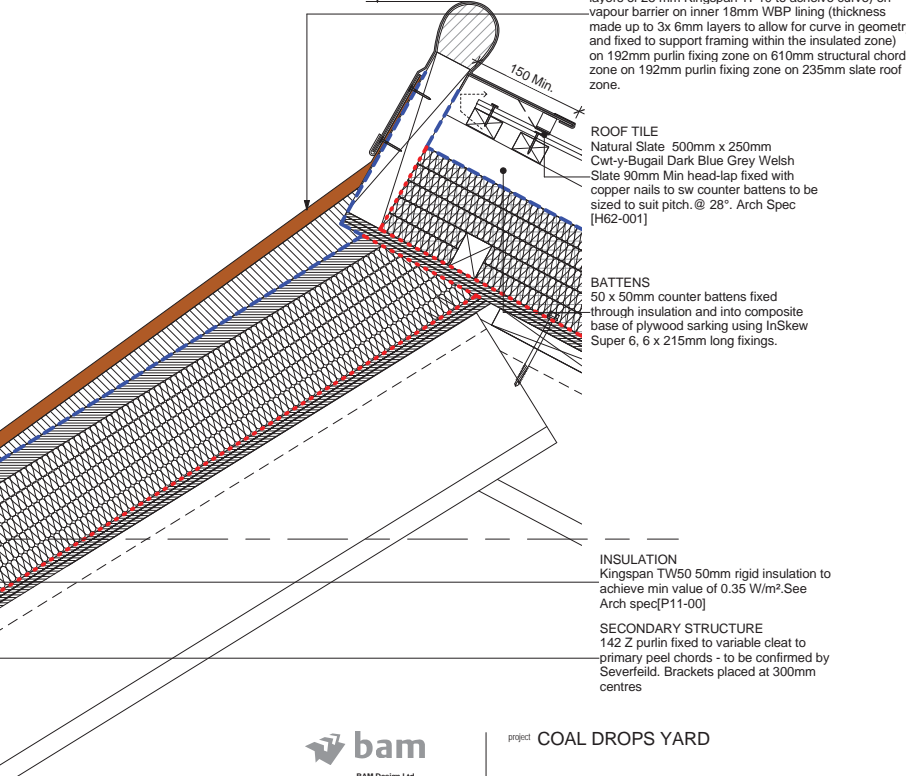
PEEL METAL CLADDING
Copper Tone metal cladding with parallel standing seams @ 430mm c/c on geotextile felt/ breather membrane on 25mm wbp ply on insulated zone (5 no layers of 25 mm Kingspan TP10 to achieve curve) on vapour barrier on inner 18mm WBP lining (thickness made up to 3x 6mm layers to allow for curve in geometry and fixed to support framing within the insulated zone) on 192mm purlin fixing zone on 610mm structural chord zone on 192mm purlin fixing zone on 235mm slate roof zone.

DO NOT SCALE FROM THIS DRAWING.
ALL DIMENSIONS TO BE CHECKED ON SITE.
FOR REFERENCED VIEWS REFER TO SERIES OF DRAWINGS
KXC-M0-001-A-

DETAIL OMITTED



6 Peel/ Gutter/ Ridge Junction- Detail 6
1 : 5



6 Peel/ Gutter/ Ridge Junction- Detail 6
1 : 5

004	HR	DW	25/05/17	Lead cap shown to detail 7. Lead clip colour note updated.
003	HR	DW	10/05/17	Mono tile replaced with Lead roll ridge. Axx added.
002	JN	MWB	28/11/16	Mono tile overlapping cladding
001	VH	MWB	12/08/16	Issued for Construction
005	HR	DW	15/06/17	Ridge roll added to mono. Axx omitted.



bam
BAM Design Ltd
An operating company of BAM Construct UK Ltd
Architecture
Interior Design
3D Visualisation
Feasibility Studies
Structural Engineering
Environmental Services
Building Information Modelling

project **COAL DROPS YARD**
Ridge Merge Details
scale 1 : 5 @ A1
date 08/09/16
site 0127 84200
design@bam.co.uk
www.bam.co.uk

drawn V/H
checked M/WB
date 08/09/16
site 0127 84200
design@bam.co.uk
www.bam.co.uk

BAM job no. 4389
R/S
S4
005

TYPE 1 ROOF CONSTRUCTION
 Warm Slate pitched Roof (28°) Consisting of: Double lapped 500mm x 250mm Cwly-Bugail Dark Blue Greywale slate tile with min 90mm head-lap fixed with recess copper nails fixed through to SW battens (50 x 25 @ 205mm CL) fixed to Furrings onto Counter 50x50 counter battens which are fixed through the insulation boards in to the composite base of pwood and sarking board using InSkew Super 6, 6 x 215mm long fixings, installed along the counter battens at 150mm centers in order to achieve an average density of 11.1 fixings per m² with Breathable Roofing underlay lapped over 125mm PIR Kingspan TP10 Thermapitch insulation on 25mm WPB Ply on 25mm existing sarking boards with vapour permeable underlay, min u-value of 0.18Wm²K. Ref Arch spec [H62]

STRUCTURAL WBP PLYWOOD
 To be fixed together with the existing sarking in between the purlins using wood screws in order to achieve a sound composite base at 300mm x 300mm staggered centers. Structural WBP Plywood is to be fixed through the existing sarking board to the purlins using InSkew 600, 6 x 100mm long fixings, installed along the purlins at 150mm centers in order to achieve an average density of 4.6 fixings per m².

ROOF - Lighting Protection
 Ridge of Warm Slate Roof - 25x3mm Aluminium tape concealed underneath ridge tiles connected to painted strike plates ref to Lighting protection drawings KXC-M0-001-BD4399-E-86 6-1021 latest revision, installation to be by specialist sub contractor.

METAL RIDGE STRAP
 nailed to top of furrings over 50x38mm ridge batten

LEAD ROLL RIDGE
 Code 6 lead to be used to form ridge roll and gutter. The lead is to be dressed over the ridge roll and dressed a minimum 150mm to either side of the ridge. The ridge is to be ventilated using Airtak Ventilated Ridge system fixed back the ridge board, visible vent is to be dark coloured. The lead is to be fixed using clips fixed @ 300mm to cope with high exposure. Clips are to be colour coded to lead and are to be double fixed at top & secondary batten positions using stainless steel nails. Ridge roll is to be installed a minimum of 5mm above the top tile edge.

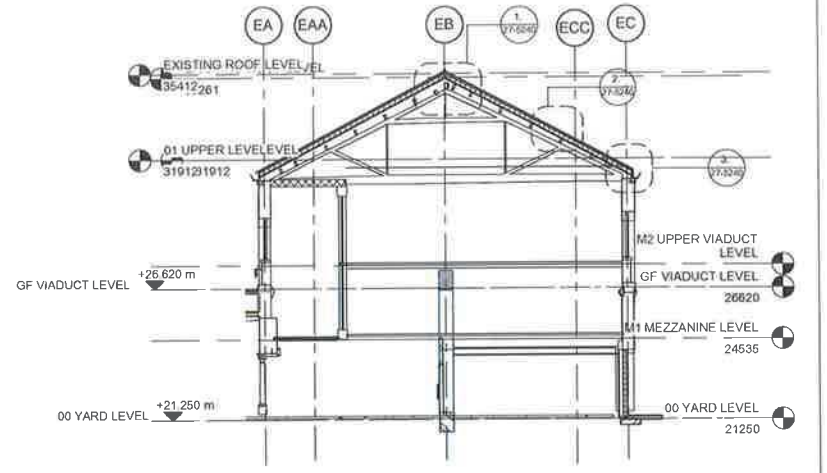
ROOF TILE
 Natural Slate 500mm x 250mm Cwly-Bugail Dark Blue Grey Welsh Slate 90mm Min head-lap fixed with copper nails to sw counter battens to be sized to suit pitch @ 28°. Arch Spec [H62-001]

TIMBER FURRING
 600 centres, cross jointed and fixed through each side with ring shanked 90mm nails at the head. Furrings to be strapped to counter battens at top with Simpson's Strongtie FB20A in galvanised finish to resist slide load. The furrings are to be fixed in to the counter battens using InSkew 600, ranging from 70-340mm to accommodate the fixing thickness. The ties are to be spaced at 375mm centers in order to achieve an average density of 4.4 fixings per m².

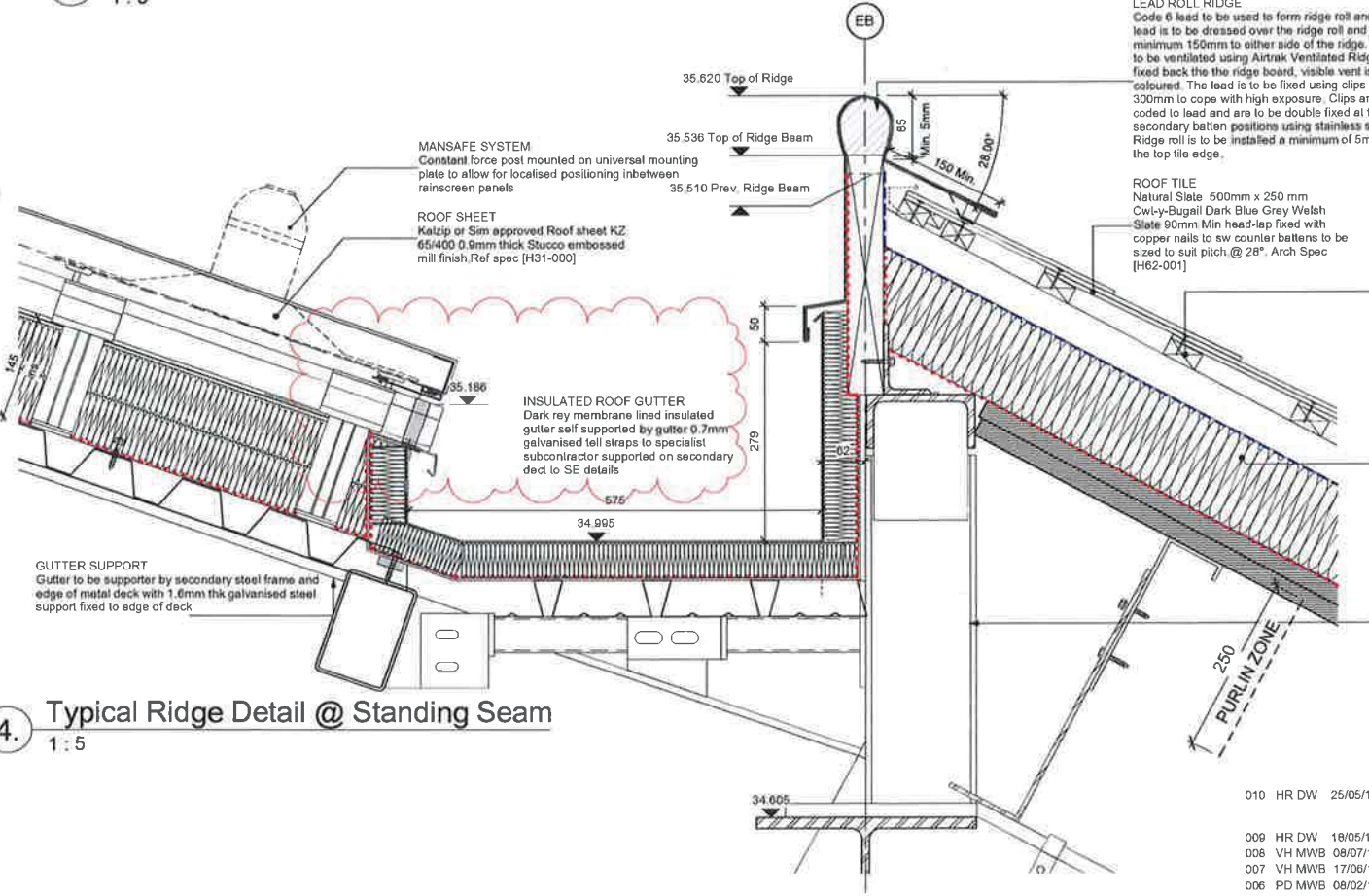
TIMBER BATTENS
 25x50mm Treated to BS 5534 sized to suit pitch @ 205mm Centres (fixed to furrings on ECD)

ROOF TILE VENT
 400mm x 250mm Klobor or sim approved Mini Uni-Line slate vent below natural double-lap slates Arch Spec [H62-001]

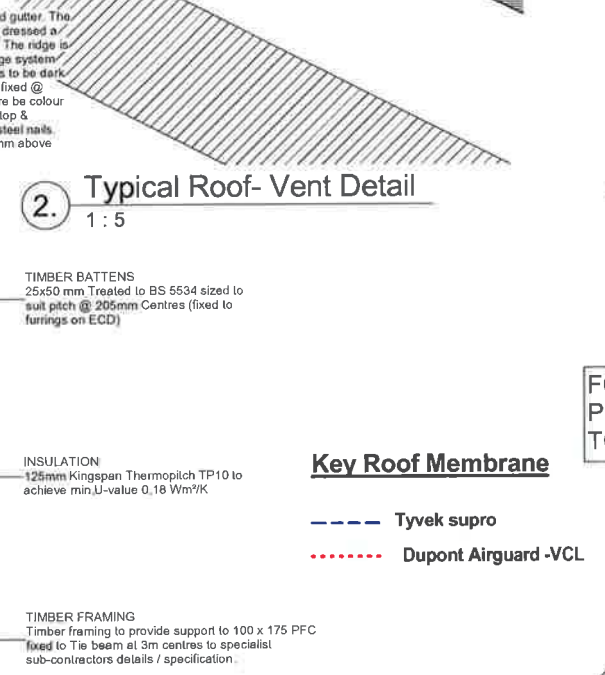
ROOF VENT
 Flexible roof vent connect to SVP Arch Spec [H62-001]



1. Typical Slate Roof -Ridge detail
 1:5



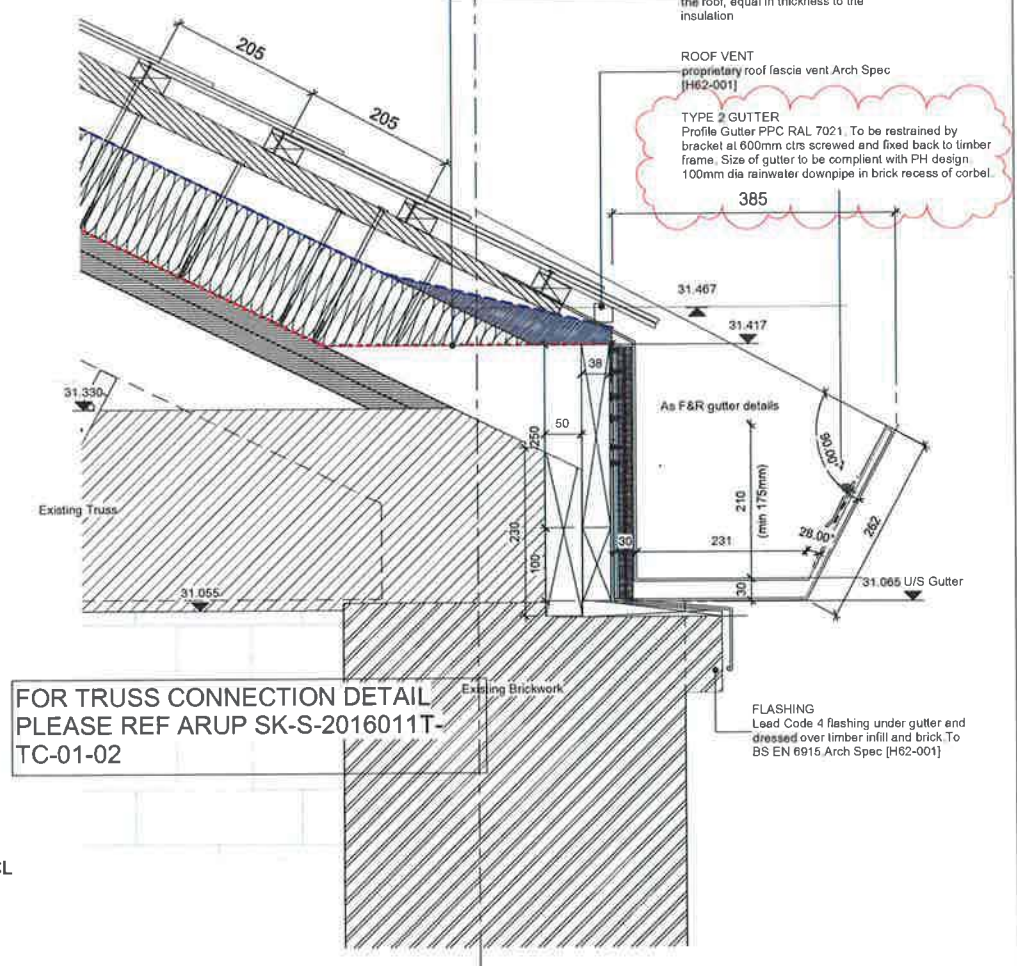
2. Typical Roof- Vent Detail
 1:5



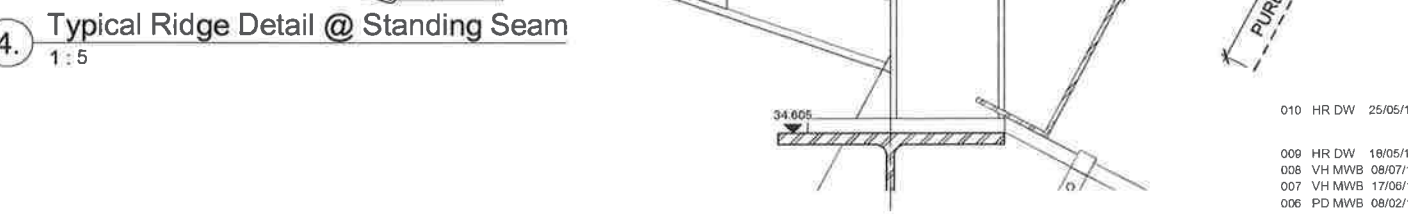
FOR TRUSS CONNECTION DETAIL
 PLEASE REF ARUP SK-S-2016011T-TC-01-02

Key Roof Membrane
 --- Tyvek supro
 Dupont Airtguard -VCL

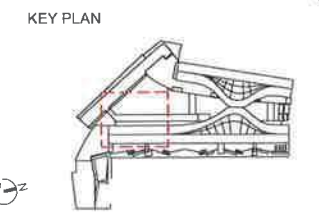
3. Typical Eaves Detail
 1:5



4. Typical Ridge Detail @ Standing Seam
 1:5



- 010 HR DW 25/05/17 Lead, gutter and ventilator colours added, Tile size note amended, Rainscreen Cladding edge position amended.
- 009 HR DW 18/05/17 Ventilated lead roll ridge added
- 006 VH MWB 08/07/16 Updated to suit comments dated 20.06.016
- 007 VH MWB 17/06/16 Ridge/Gutter detail amended Construction Issue
- 006 PD MWB 08/02/16 Ridge detail amended pitch 28°



COAL DROPS YARD
 Typical slate roof Pitches and Details
 Existing Roof Pitches and Details - Slate

Construction	
As indicated @ A1	BAM job no
05/08/15	4389
KXC-M1-001-BD4399-A-27-5240	010