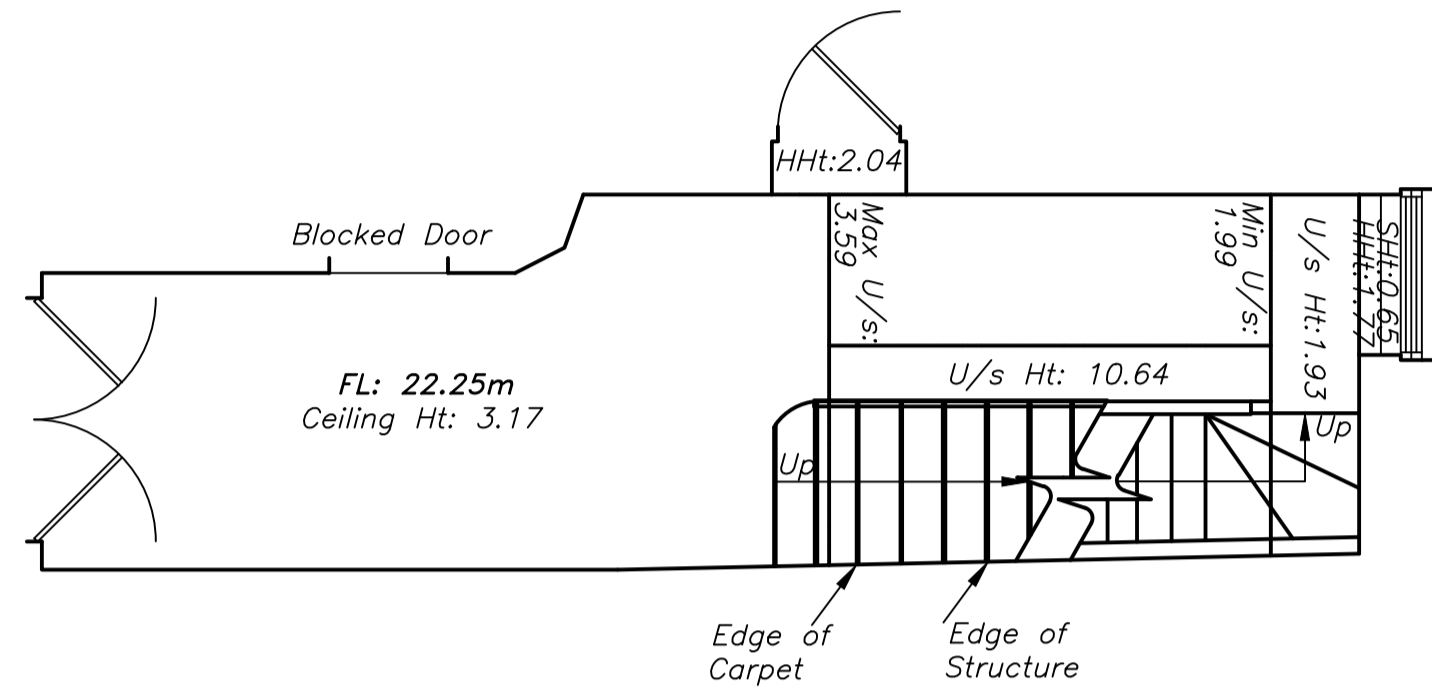


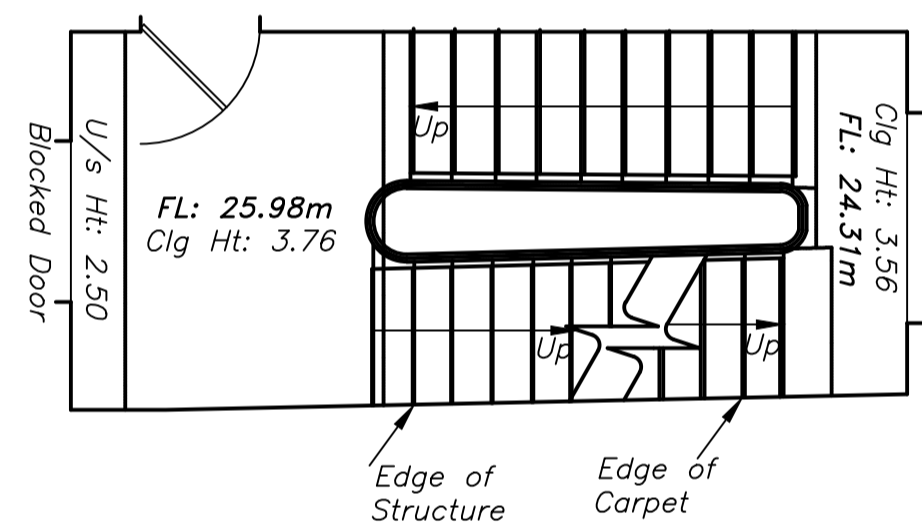
Basement Floor Plan

Scale 1:50 @ A1



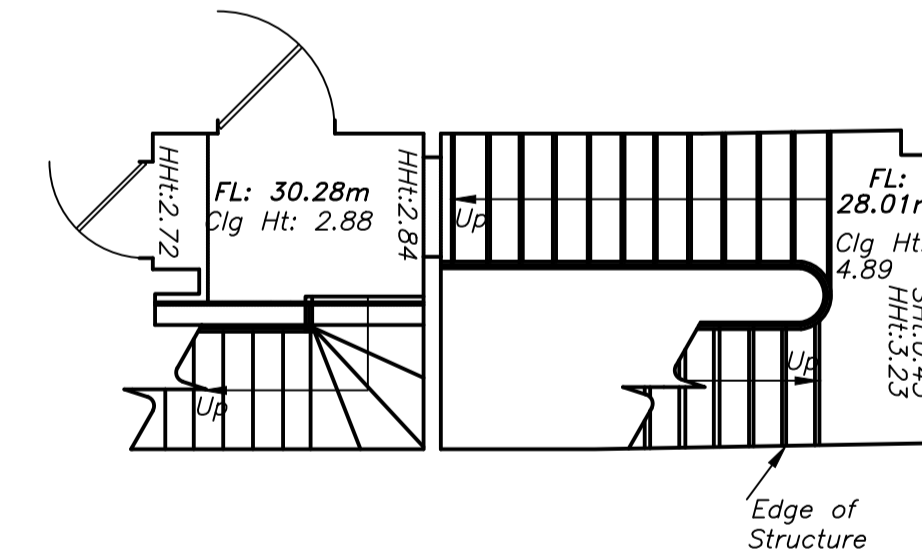
Ground Floor Plan

Scale 1:50 @ A1



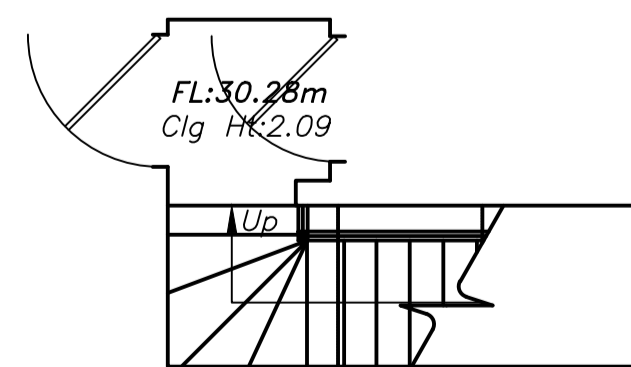
First Floor Plan

Scale 1:50 @ A1



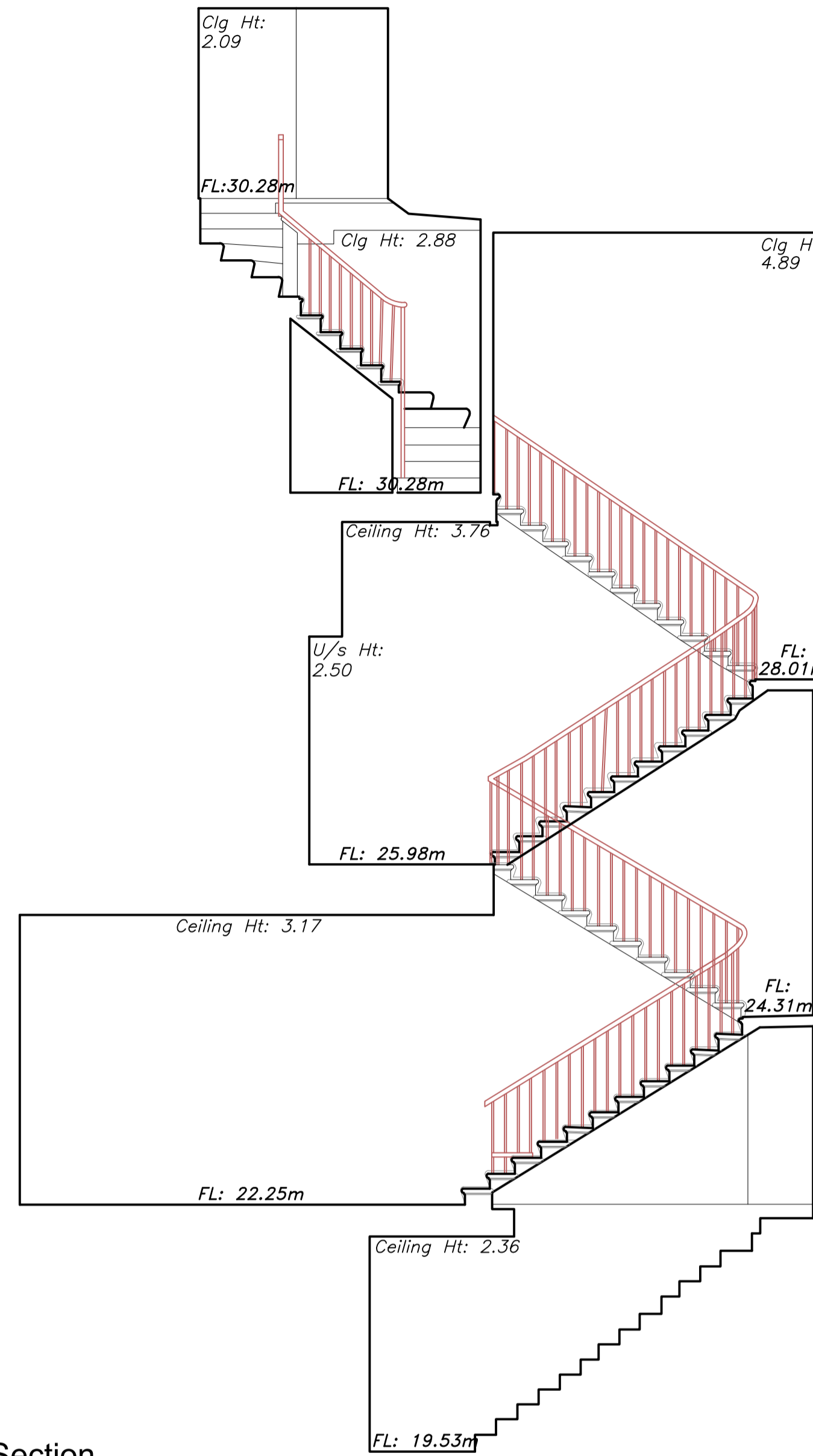
Second Floor Plan

Scale 1:50 @ A1



Third Floor Plan

Scale 1:50 @ A1



Section

Scale 1:50 @ A1



Site Plan

Scale 1:500 @ A1

1. THIS IS AN A1 DRAWING, IF REPRODUCED IN ANY OTHER FORMAT THE SCALE SHOWN WILL BE INCORRECT.
2. DO NOT SCALE OFF THIS DRAWING.
3. ANY AMBIGUITIES, OMISSIONS AND ERRORS, OR INCONSISTENCIES WITH OTHER DOCUMENTS, ON THIS DRAWING SHOULD BE NOTIFIED IMMEDIATELY TO THE ARCHITECT BEFORE THE COMMENCEMENT OF WORKS ON SITE.
4. ALL DIMENSIONS ARE IN MILLIMETRES UNLESS OTHERWISE STATED.
5. ALL DIMENSIONS, UNLESS OTHERWISE STATED, ARE TO THE FACE OF UNFINISHED MASONRY WALLS OR TO THE FINISHED PLASTER FACE OF STUD PARTITIONS.
6. ALL DIMENSIONS ARE TO BE CHECKED ON SITE. ANY DISCREPANCIES ARE TO BE NOTIFIED IMMEDIATELY TO THE ARCHITECT BEFORE THE COMMENCEMENT OF WORKS ON SITE.
7. ALL LEVELS ARE IN METRES UNLESS OTHERWISE STATED.
8. THIS DRAWING IS TO BE READ IN CONJUNCTION WITH ALL OTHER RELEVANT DRAWINGS AND SPECIFICATIONS FOR THIS PROJECT AND APPARENT INCONSISTENCIES BROUGHT TO THE ATTENTION OF THE ARCHITECT.

SAFETY, HEALTH AND ENVIRONMENTAL INFORMATION UNUSUAL SIGNIFICANT HAZARDS

It is assumed that all works will be carried out by a competent contractor working, where appropriate, to an approved method statement. In addition to the hazards/risks normally associated with the types of work detailed on this drawing, note the following:

Construction:	1.
	2.
	3.
Cleaning/Maintenance:	1.
	2.
	3.
Residual:	1.
	2.
	3.

P01	17.07.17	First Issue	JG	CP
Rev.	Date	Content	By	Ckd



44 The Ropewalk Nottingham NG1 5DW
t: 0115 9481144 f: 0115 9580976 w: cbp-arch.co.uk

Project
GOODENOUGH CLUB STAIRS SURVEY

Drawing Title
EXISTING STAIRS
HOUSE 25

Scale 1:50 / 500 **Date** 17.07.17

Drawn JG **Checked** CP

Drawing number 16010-A-2005 **Revision** P01

Reproduction subject to copyright Original sheet size A1