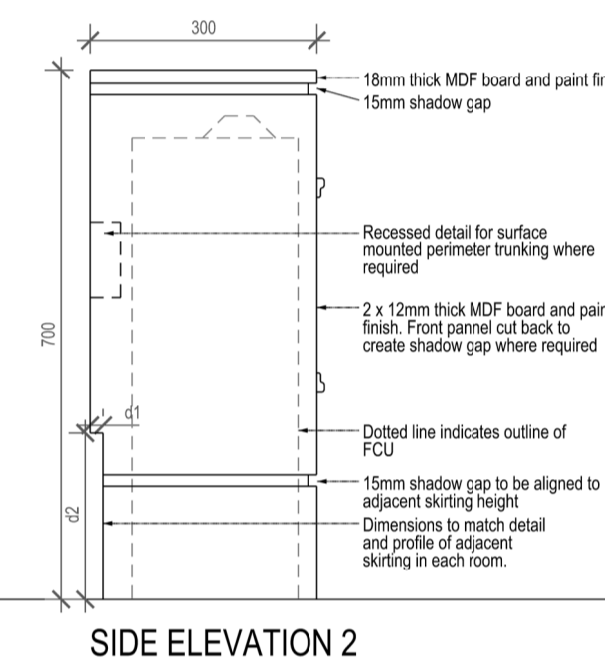
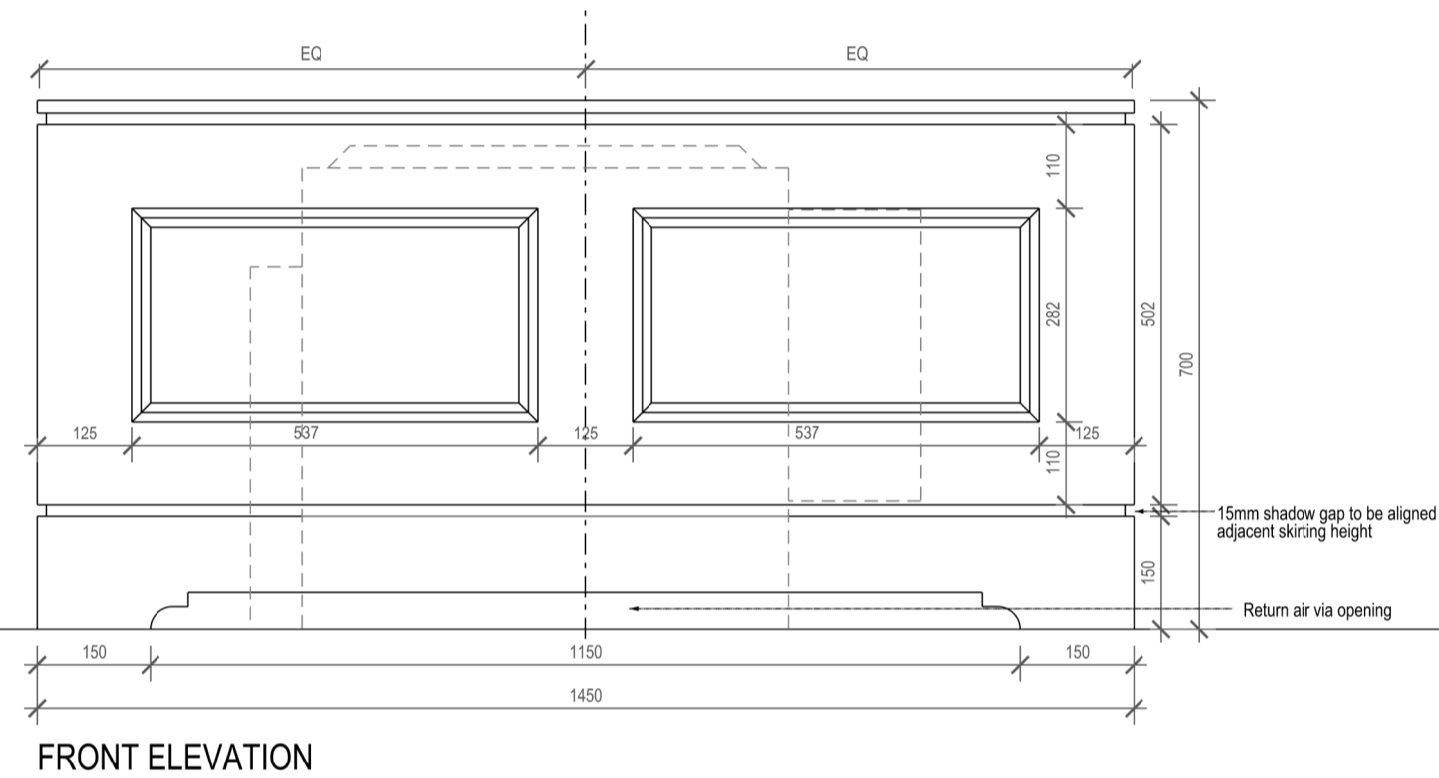
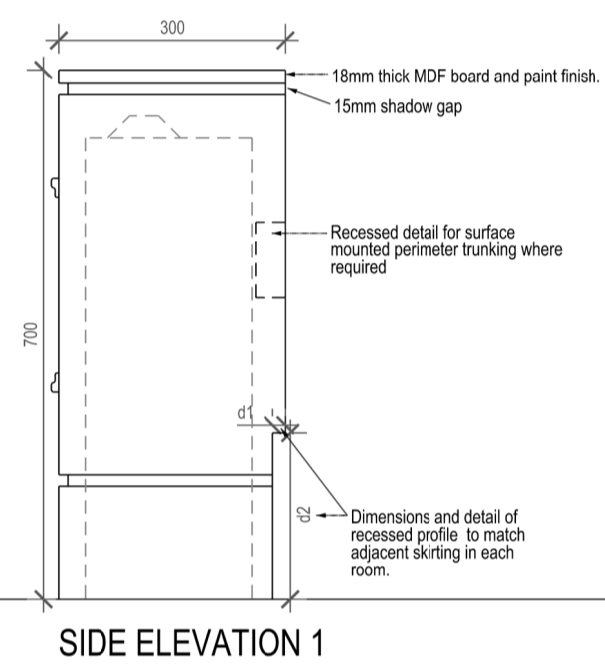
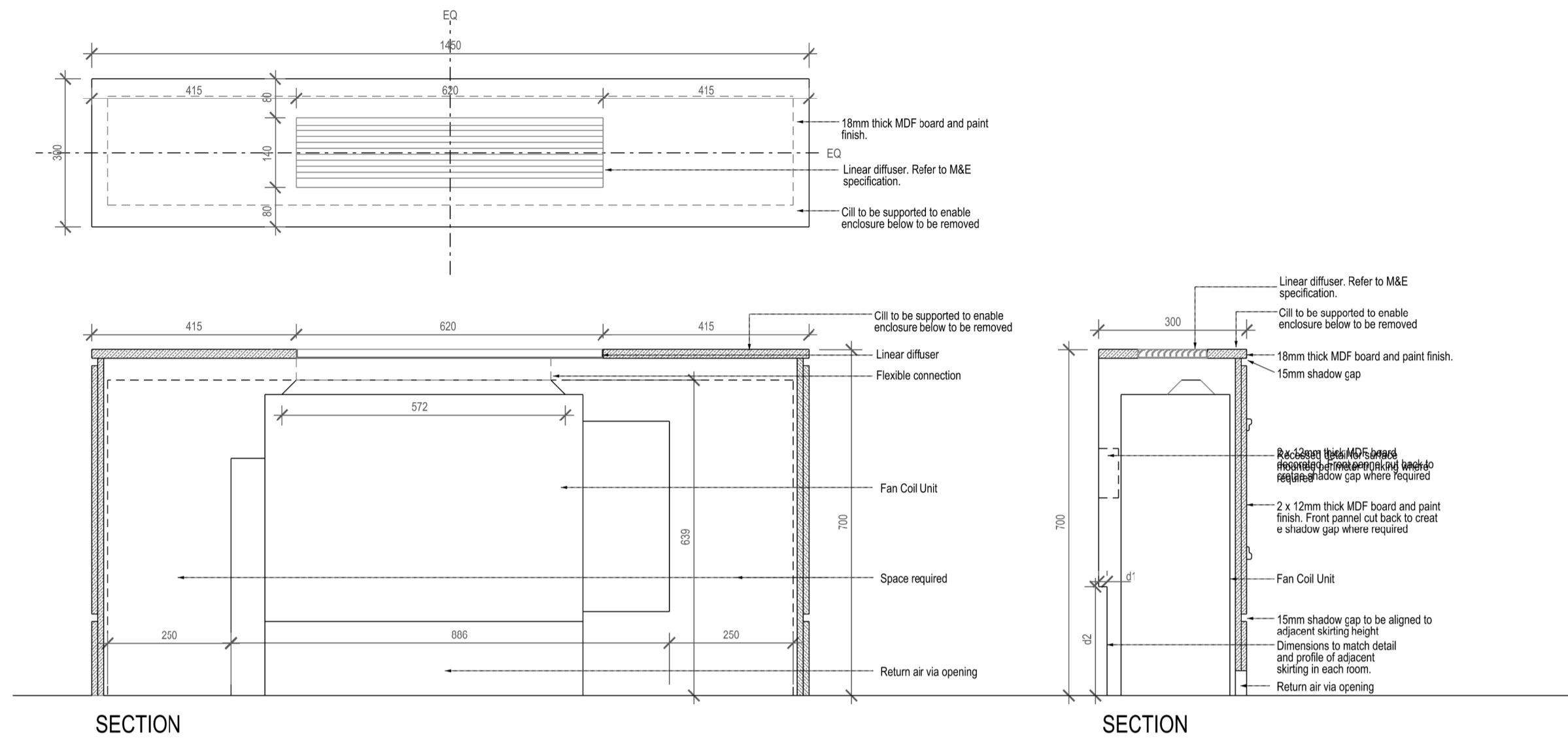
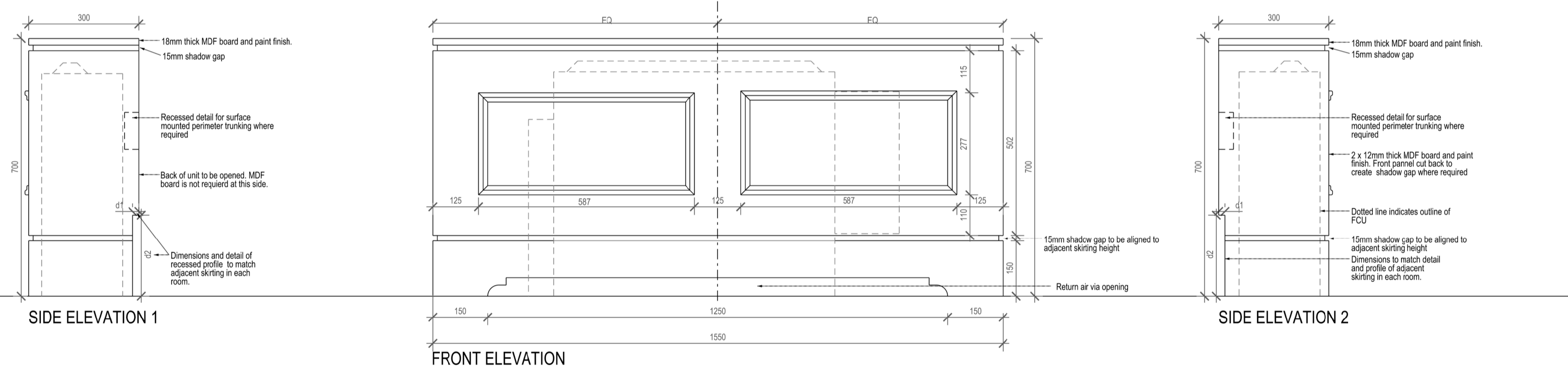


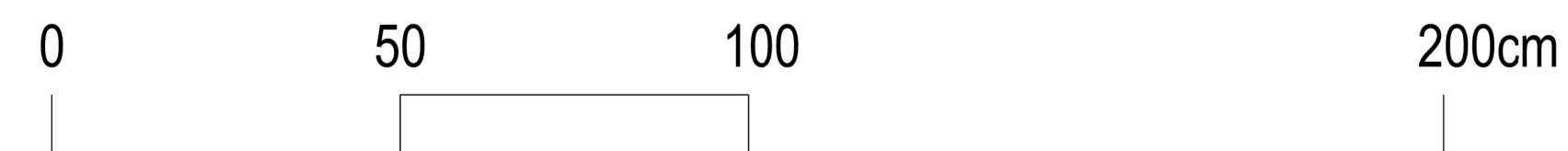
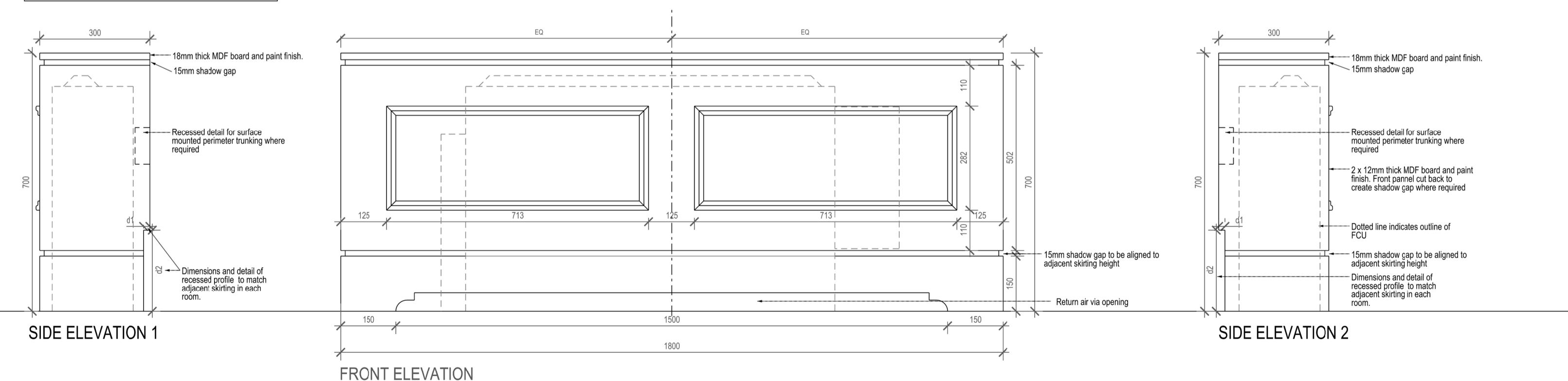
UNIT MODEL P20-25



UNIT MODEL P32-40



UNIT MODEL P50-63



BUILDING DESIGN PARTNERSHIP LTD SHALL HAVE NO RESPONSIBILITY FOR ANY USE MADE OF THIS DOCUMENT OTHER THAN FOR THAT WHICH IT WAS PREPARED AND ISSUED.
ALL DIMENSIONS SHOULD BE CHECKED ON SITE.
DO NOT SCALE FROM THIS DRAWING.
ANY DRAWING ERRORS OR DIVERGENCES SHOULD BE BROUGHT TO THE ATTENTION OF BUILDING DESIGN PARTNERSHIP LTD AT THE ADDRESS SHOWN BELOW.

NOTES

REVISION DESCRIPTION	DRAWN	CHECKED	DATE

C - For Planning and Listed Building Consent Application	LBE	MB	01/06/17
B - For information	LB	MB	28/04/17
A - For information	LB	MB	17/03/17
FIRST ISSUE	LB	MB	10/03/17



BDP.

16 Brewhouse Yard
Clerkenwell
London, EC1V 4LJ
United Kingdom
T +44 (0)20 7812 8000
F +44 (0)20 7812 8399
www.bdp.com

British Museum Perimeter Properties Refurbishment	
P2007246	
DRAWING TITLE 1-1A Montague Street Proposed FCU enclosures Planning and LBC Application	SCALE 1:10@A1
DRAWING NO. (50)AD001	DATE May '17
	REVISION C