

- 1 No. PURY-P300YJM-A  
(920x760x1710mm)
- 1 No. PUHZ-ZRP60VHA  
(950x330+30x943mm)
- 1 No. PUHZ-ZRP60VHA  
(950x330+30x943mm)
- 1 No. PUHZ-ZRP60VHA  
(950x330+30x943mm)

CHECK LIST		
REVISION	DATE	
A1	26-06-2017	

CLIENT: IBERICA RESTAURANTS  
PROJECT: IBERICA COVENT GARDEN LONDON  
DRAWING TITLE: GROUND FLOOR EXTERNAL PLANT PROPOSED

1473-009

Scale: 1/50 @A1  
Date: 26/06/2017

# Air Conditioning

## Product Information

### PKA-RP Power Inverter Heat Pump Wall Mounted System

Making a World of Difference



PKA-RP - INDOOR UNITS		PKA-RP35HAL	PKA-RP50HAL	PKA-RP60KAL	PKA-RP71KAL	PKA-RP100KAL	PKA-RP100KAL
CAPACITY (kW)	Heating (nominal)	4.1 (1.6-5.2)	5.0 (2.5-7.3)	7.0 (2.8-8.2)	8.0 (3.5-10.2)	11.2 (4.5-14.0)	11.2 (4.5-14.0)
	Cooling (nominal)	3.6 (1.6-4.5)	4.6 (2.3-5.6)	6.1 (2.7-6.7)	7.1 (3.3-8.1)	10.0 (4.9-11.4)	10.0 (4.9-11.4)
	Heating (UK)	3.5 (1.35-4.4)	4.25 (2.15-6.2)	5.95 (2.4-6.95)	6.8 (3.0-8.65)	9.5 (3.85-11.9)	9.5 (3.85-11.9)
	Cooling (UK)	3.3 (1.45-4.15)	4.23 (2.1-5.15)	5.5 (2.5-6.15)	6.55 (3.05-7.45)	9.2 (4.5-10.5)	9.2 (4.5-10.5)
SHF (nominal & UK)		0.81	0.72	0.86	0.78	0.73	0.73
COP / EER (nominal)		3.83 / 3.83	3.33 / 3.26	3.57 / 3.81	3.65 / 3.94	3.68 / 3.77	3.68 / 3.77
SCOP / SEER (BS EN14825)		3.9 / 5.7	4.0 / 5.3	4.2 / 6.3	4.3 / 6.5	4.0 / 6.1	4.0 / 6.0
ErP ENERGY EFFICIENCY CLASS	Heating/Cooling	A / A+	A+ / A	A+ / A++	A+ / A++	A+ / A++	A+ / A++
AIRFLOW (m³/min)	Lo-Mi-Hi	9-10.5-12	9-10.5-12	18-20-22	18-20-22	20-23-26	20-23-26
PIPE SIZE mm (in)	Gas	12.7 (1/2")	12.7 (1/2")	15.88 (5/8")	15.88 (5/8")	15.88 (5/8")	15.88 (5/8")
	Liquid	6.35 (1/4")	6.35 (1/4")	9.52 (3/8")	9.52 (3/8")	9.52 (3/8")	9.52 (3/8")
SOUND PRESSURE LEVEL (dBA)		36-40-43	36-40-43	39-42-45	39-42-45	41-45-49	41-45-49
SOUND POWER LEVEL (dBA)		60	60	64	64	65	65
DIMENSIONS (mm)	Width x Depth x Height	898 x 249 x 295	898 x 249 x 295	1170 x 295 x 365	1170 x 295 x 365	1170 x 295 x 365	1170 x 295 x 365
WEIGHT (kg)		13	13	21	21	21	21
ELECTRICAL SUPPLY		Fed by Outdoor Unit	Fed by Outdoor Unit	Fed by Outdoor Unit	Fed by Outdoor Unit	Fed by Outdoor Unit	Fed by Outdoor Unit
FUSE RATING (BS88) - HRC (A)		6	6	6	6	6	6
INTERCONNECTING CABLE No. Cores		4	4	4	4	4	4

PUHZ-ZRP - OUTDOOR UNITS		PUHZ-ZRP35VKA	PUHZ-ZRP50VKA	PUHZ-ZRP60VHA	PUHZ-ZRP71VHA	PUHZ-ZRP100VKA	PUHZ-ZRP100YKA <sup>3</sup> Three Phase
SOUND PRESSURE LEVEL (dBA)	Heating/Cooling	46 / 44	46 / 44	48 / 47	48 / 47	51 / 49	51 / 49
SOUND POWER LEVEL (dBA)	Cooling	65	65	67	67	69	69
WEIGHT (kg)		43	46	67	67	116	124
DIMENSIONS (mm)	Width x Depth x Height	809 x 300 x 630	809 x 300 x 630	950 x 330 + 30 x 943	950 x 330 + 30 x 943	1050 x 330 + 30 x 1338	1050 x 330 + 30 x 1338
ELECTRICAL SUPPLY		220-240v, 50Hz	220-240v, 50Hz	220-240v, 50Hz	220-240v, 50Hz	220-240v, 50Hz	380-415v, 50Hz
PHASE		Single	Single	Single	Single	Single	Three
SYSTEM POWER	Heating/Cooling (nominal)	1.07 / 0.94	1.50 / 1.41	1.96 / 1.60	2.19 / 1.80	3.04 / 2.65	3.04 / 2.65
	INPUT (kW)	0.84 / 0.91	1.25 / 1.28	1.42 / 1.67	1.60 / 1.86	2.36 / 2.58	2.36 / 2.58
STARTING CURRENT (A)		4.0	5.0	5.0	6.0	12.0	4.0
SYSTEM RUNNING CURRENT (A)	Heating/Cooling [MAX]	4.22 / 3.94 [13.4]	7.16 / 6.59 [13.4]	9.23 / 8.11 [19.4]	8.75 / 7.79 [19.4]	11.46 / 11.44 [27.1]	4.82 / 4.41 [8.6]
FUSE RATING (BS88) - HRC (A)		16	16	25	25	32	16
MAINS CABLE No. Cores		3	3	3	3	3	5
MAX PIPE LENGTH (m)		50	50	50	50	75	75
MAX HEIGHT DIFFERENCE (m)		30	30	30	30	30	30
CHARGE R410A (kg) - 30m		2.2	2.4	3.5	3.5	5.0	5.0

<sup>3</sup> Three Phase



Telephone: 01707 282880

email: [air.conditioning@meuk.mee.com](mailto:air.conditioning@meuk.mee.com) web: [airconditioning.mitsubishielectric.co.uk](http://airconditioning.mitsubishielectric.co.uk)

UNITED KINGDOM Mitsubishi Electric Europe Living Environmental Systems Division  
Travellers Lane, Hatfield, Hertfordshire, AL10 8XB, England General Enquiries Telephone: 01707 282880 Fax: 01707 278881

IRELAND Mitsubishi Electric Europe Westgate Business Park, Ballymount, Dublin 24, Ireland  
Telephone: Dublin (01) 419 8800 Fax: Dublin (01) 419 8890 International code: (003531)

Country of origin: United Kingdom - Japan - Thailand - Malaysia. ©Mitsubishi Electric Europe 2014. Mitsubishi and Mitsubishi Electric are trademarks of Mitsubishi Electric Europe B.V. The company reserves the right to make any variation in technical specification to the equipment described, or to withdraw or replace products without prior notification or public announcement. Mitsubishi Electric is constantly developing and improving its products. All descriptions, illustrations, drawings and specifications in this publication present only general particulars and shall not form part of any contract. All goods are supplied subject to the Company's General Conditions of Sale, a copy of which is available on request. Third-party product and brand names may be trademarks or registered trademarks of their respective owners.



Effective as of May 2014



[www.greengateway.mitsubishielectric.co.uk](http://www.greengateway.mitsubishielectric.co.uk)

Mitsubishi Electric UK's commitment to the environment

Follow us @meuk\_ies  
Follow us @green\_gateway

Connect with Green Gateway

mitsubishielectric2



# PURY-P300YJM-A

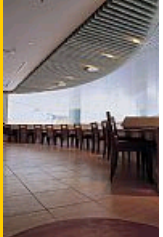
Standard R2 Series 12hp Outdoor Unit

R410A Heat Recovery

Many buildings require cooling in some areas and heating in others - even in adjacent rooms. The outstanding City Multy R2 system meets this requirement by distributing surplus heat from cooling operations (and vice versa) to rooms where it is needed. This efficiency can result in energy savings of up to 30% over conventional systems.



Pictures not to scale



## Product Details

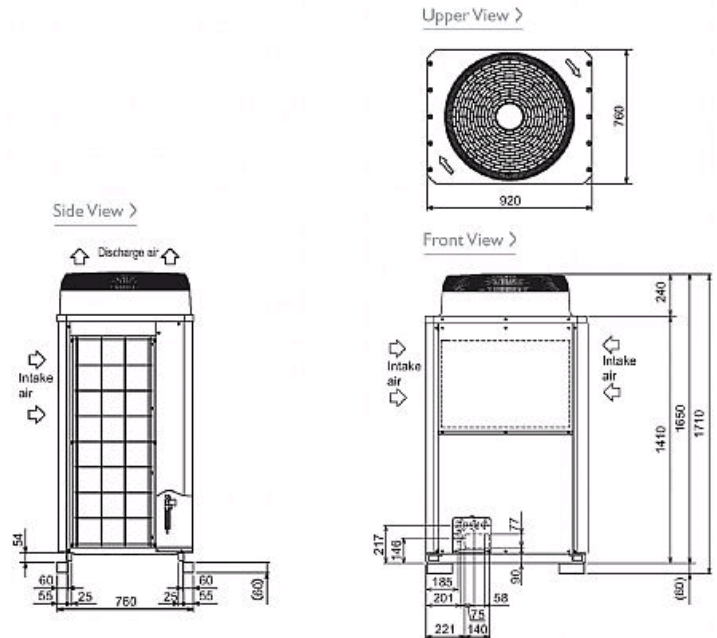
PURY-P300YJM-A	
Capacity (kW):	
Heating (Nominal)	37.5
Cooling (Nominal)	33.5
Heating (UK)	35.6
Cooling (UK)	31.5
Power Input (kW) Heating (Nominal)	8.78
Power Input (kW) Cooling (Nominal)	8.67
Power Input (kW) Heating (UK)	11.77
Power Input (kW) Cooling (UK)	5.59
Max No. of Connectable Indoor Units	30
Airflow(m <sup>3</sup> /min)	185
Noise (dBA)	59
Width - mm	920
Depth - mm	760
Height - mm	1710
Weight - kg	245
Electrical Supply	380-415v, 50Hz
Phase	3
Mains Cable No. Cores	4 + earth
Starting Current (A)	8
Running Current (A) - Heating	13.5
Running Current (A) - Cooling	13.4
Fuse Rating (BS88) - HRC (A)	25

### Piping Restrictions

Total Piping Length (m)	550
Furthest Piping Length (m)	165
Between Outdoor and BC Controller - Length (m)	110
Between Indoor and Outdoor Units - Height (m)	50
Between Indoor and Indoor Units - Height (m)	15

## Dimensions

PURY-P300YJM-A



Telephone: 01707 282880

Email: [air.conditioning@meuk.mee.com](mailto:air.conditioning@meuk.mee.com) Website: <http://www.mitsubishielectric.co.uk/aircon>

Mitsubishi Electric reserves the right to make any variation in technical specification to the equipment described, or to withdraw or replace products without prior notification or public announcement.

Tel:  
Fax:

