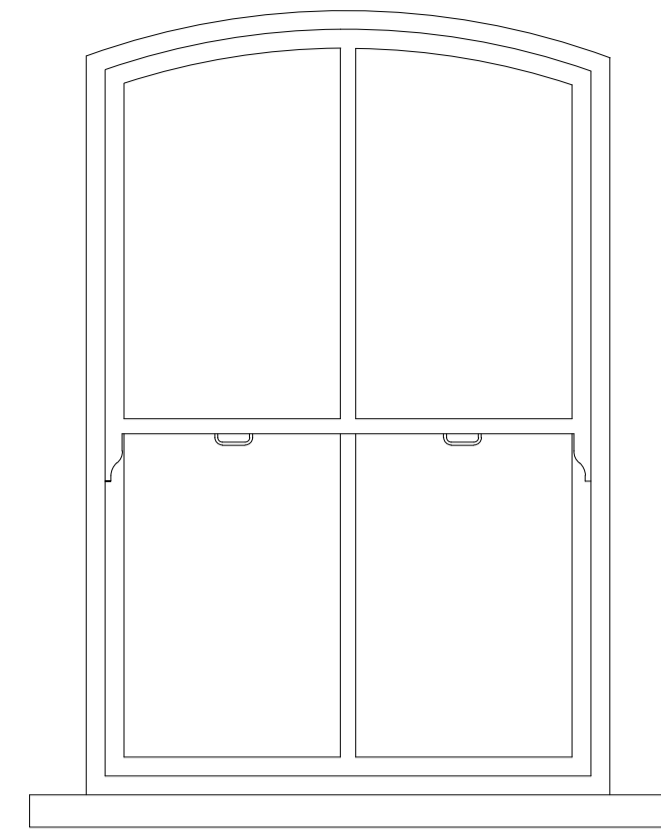
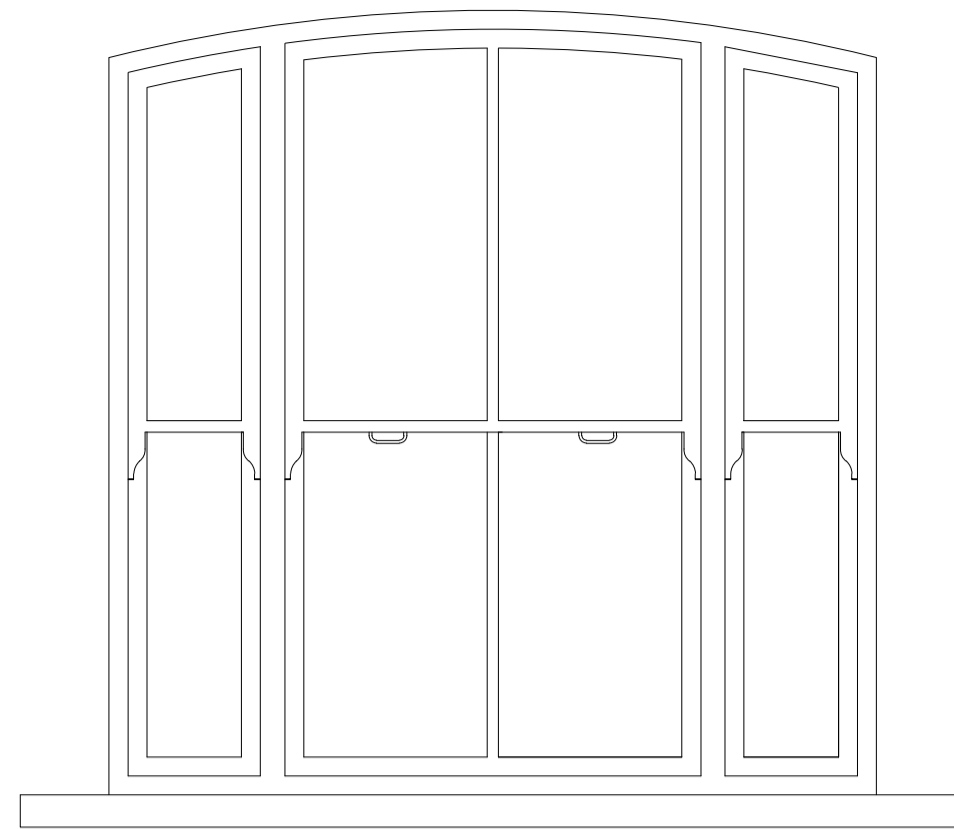


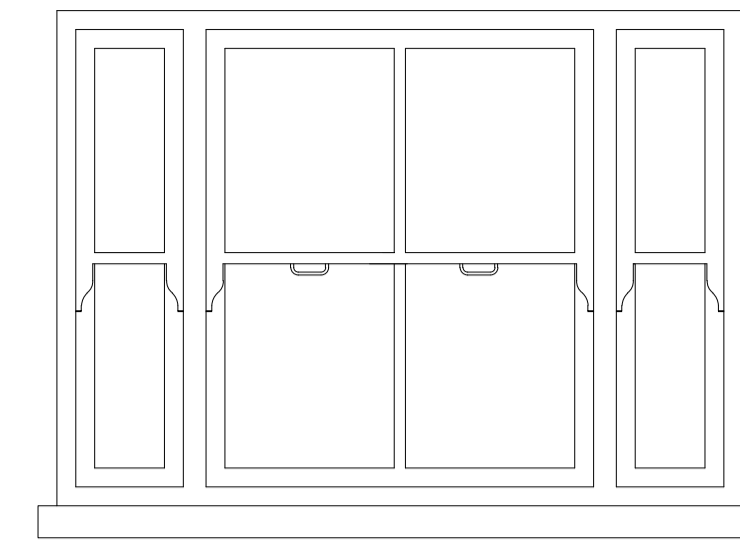
Window A
Quantity - 2



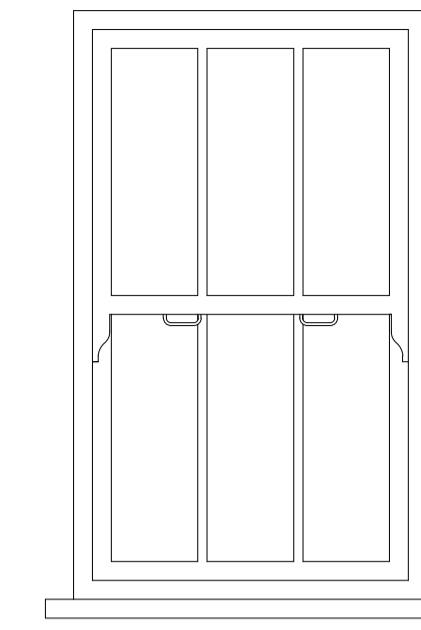
Window B
Quantity - 2



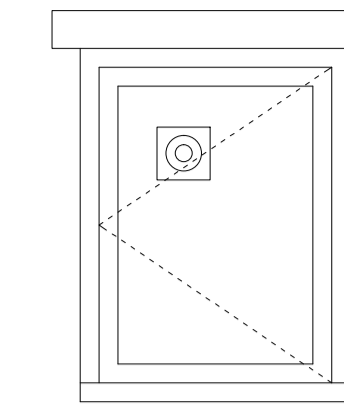
Window C
Quantity - 1



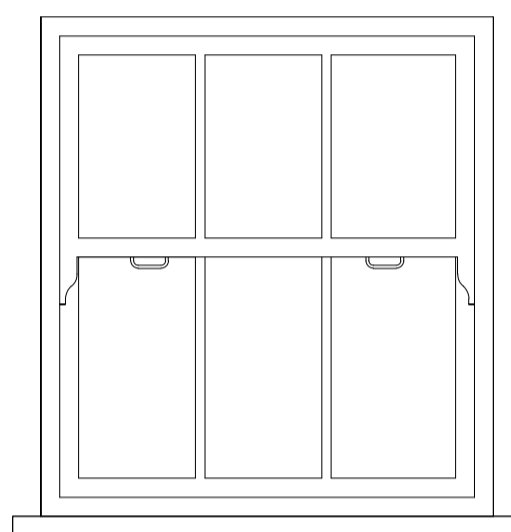
Window D
Quantity - 1



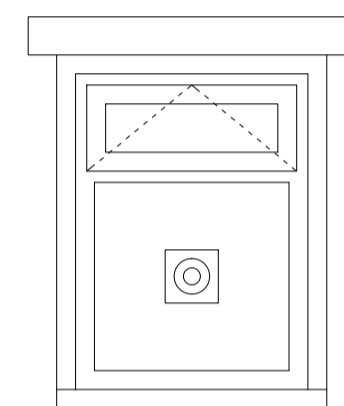
Window E
Quantity - 1



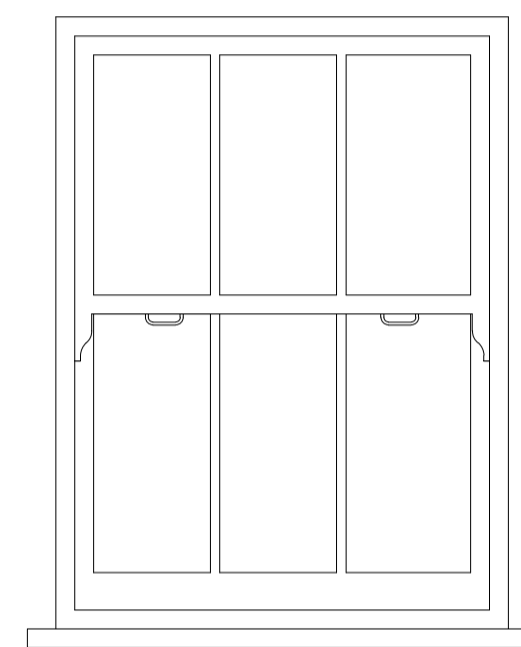
Window F
Quantity - 1



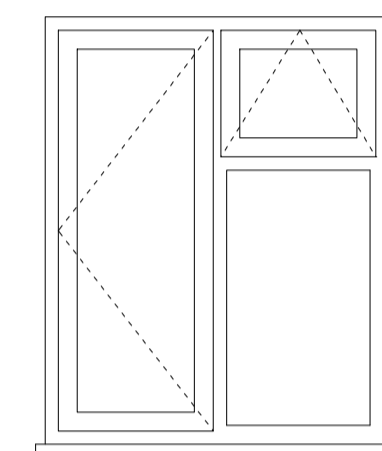
Window G
Quantity - 1



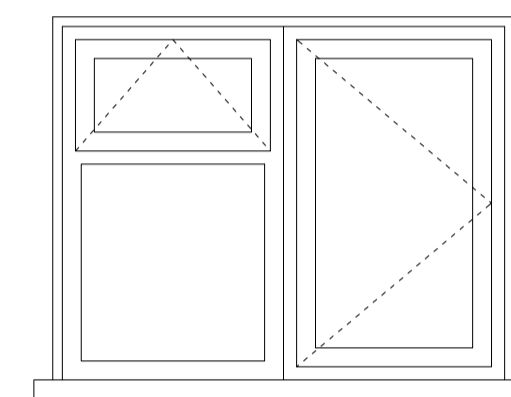
Window H
Quantity - 1



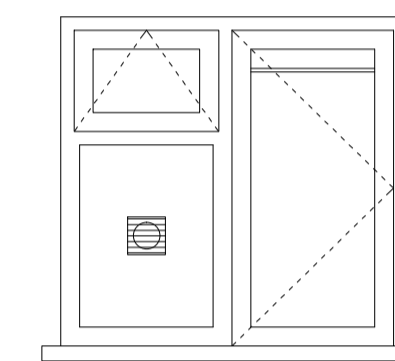
Window I
Quantity - 1



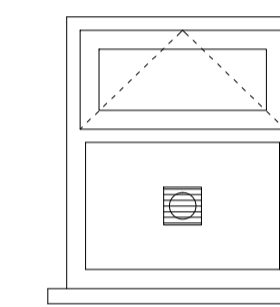
Window J
Quantity - 1



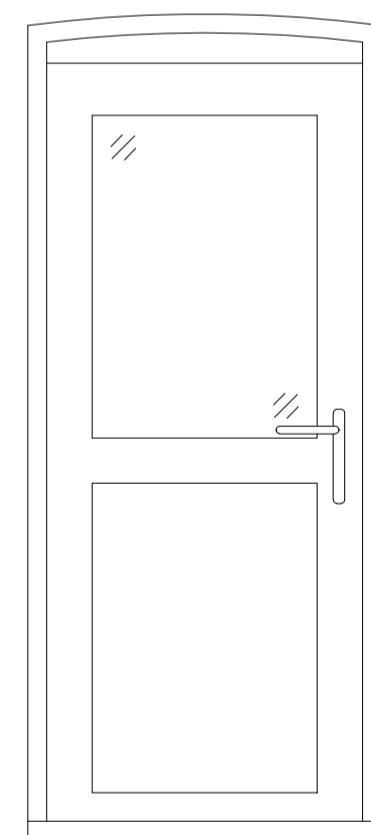
Window K
Quantity - 1



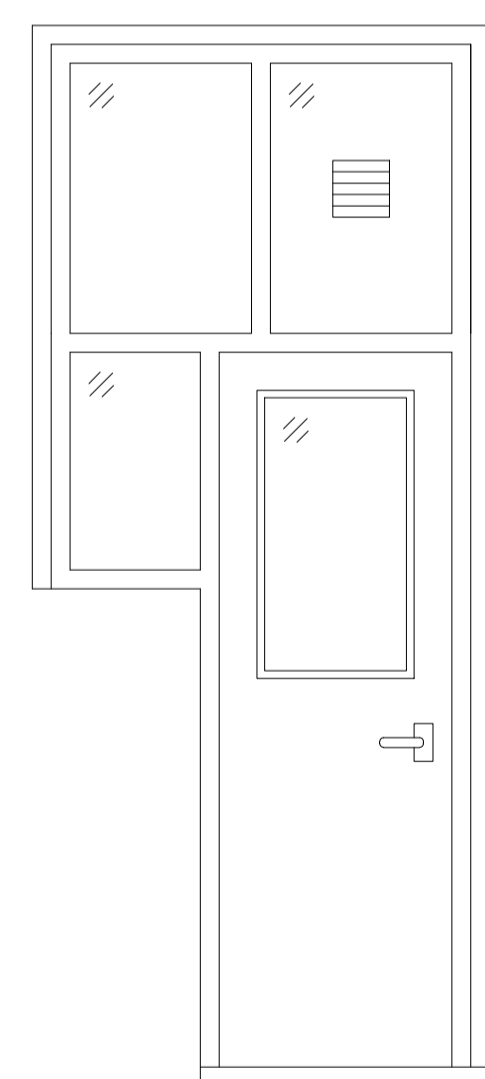
Window L
Quantity - 1



Window M
Quantity - 1



Door A
Quantity - 1



Door B
Quantity - 1



Arcus Consulting LLP
 Leeds 0113 218 5350 Manchester 0161 905 3222 Sheffield 0114 227 0096
 Liverpool 0151 708 1080 Newcastle 0191 272 5781 info@arcus.uk.com
 www.arcus.uk.com

Client
 Origin Housing Ltd

Project
 Stevenage Window Replacements 2017
 62 Malden Road, Belsize Park, London. NW5 4DA

Title
 Window and Door Schedule

Scale	Date	Stage
1:20@A1	07.07.2017	Planning
Job No	Drawing No	Rev
4655	1003	-
Drawn	Approved	
AG	JH	

This drawing is the copyright of Arcus and the information is only to be used for planning purposes. All dimensions, quantities, opening configurations and trickle vent locations are illustrative & it is the contractor's responsibility to carry out a detailed survey prior to manufacture of windows and doors.