

K90 Aluminium Roller Shutter

Made from extruded aluminium, the K90 is a lightweight, strong roller shutter with a high level of visibility.

K90 roller shutters are strong and have a large amount of open space (up to 40%). This makes them the preferred choice for many town planners. The K90 is often used in shop fronts, retail parks, and shopping centres.

Virtually unbreakable polycarbonate glazing can be added to further increase security.

Key features

- Strong, but lightweight
- Large amount of open space
- Modern look and feel
- Optional polycarbonate viewing panels

Suitable for

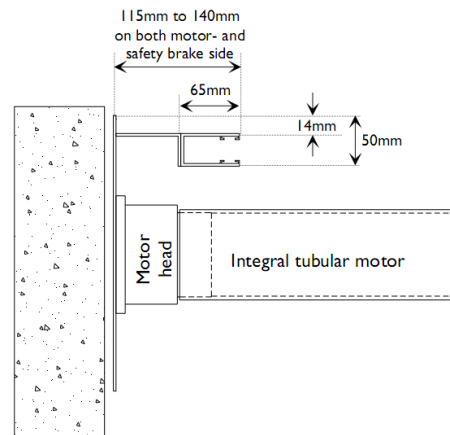
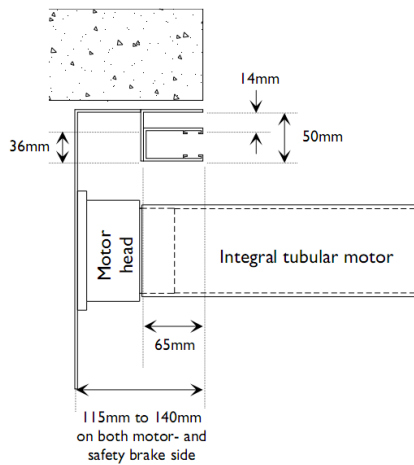
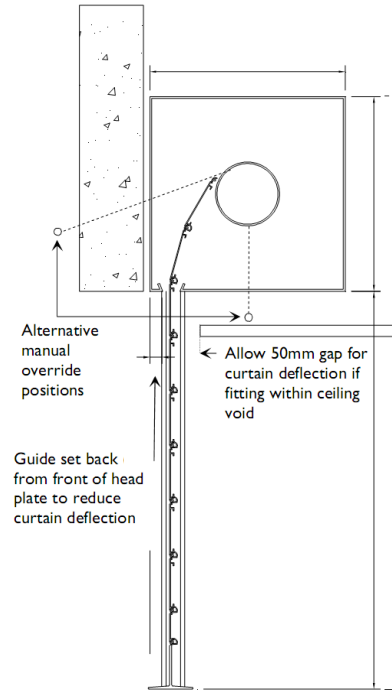
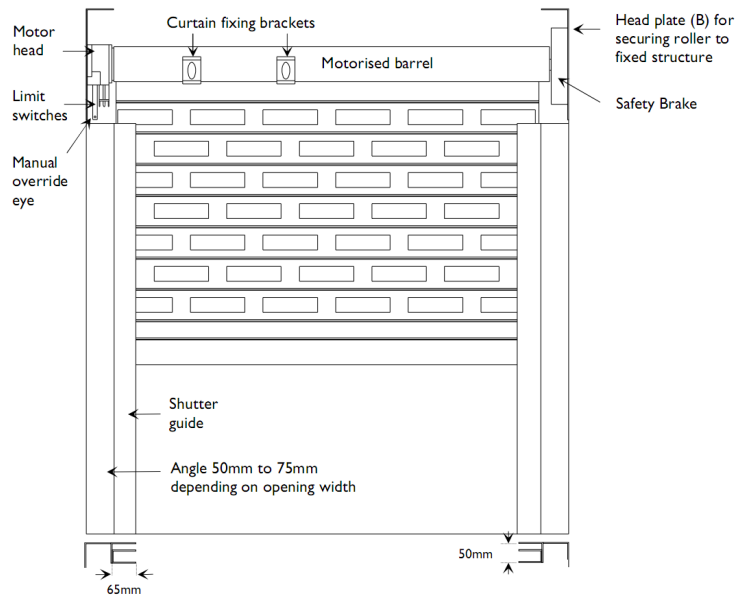
- High street shopfronts
- Shopping centres
- Windows
- Entrances



Lightweight and strong, the K90 Aluminium roller shutter



Technical specification



K90 Aluminium Roller Shutter

Punched aluminium security roller shutter.

Construction:

Manufactured from 90mm aluminium lath extruded section with 150 x 41mm cut-outs (Prestige); extruded aluminium bottom rail (The Prestige Plus has the option of larger cut-outs of 260 x 41mm and smaller spacing of 25mm and is fitted with a bottom rail weather seal); aluminium guides 65 x 36mm with friction seals along entire length. Optional glazing comprising of 2mm thick polycarbonate glass strips.

Canopy (optional):

Roll formed aluminium in two sections; top and bottom boxes. Bottom box removable for installation and maintenance. The shutterbox is assembled on die cast aluminium endplates.

Box size:

Clear opening height (to underside of box):

- 2100mm, box size 305mm
- 3200mm, box size 355mm
- 4000mm, box size 405mm

Operation:

Manual push up/pull down operation or electric operation by internal tubular motor with manual override facility. Safety brake fitted when required to comply with BS EN 13241:2003-1 (HVP Security Shutters' general policy is to fit a safety brake unless specified otherwise).

Locking Options:

Electrically operated grilles are generally self-locking. For additional security HVP Security Shutters recommends guide pin locks or a ground padlocking unit combined with a motor isolator box.

Finish:

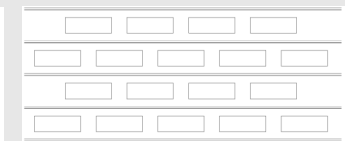
Polyester Powder Coated.

Maximum Sizes:

- Manual operation: 2500mmW x 2500mmH
- Electric operation: 7600mmW x 5500mmH



K90 - Inline



K90 - Brickbond