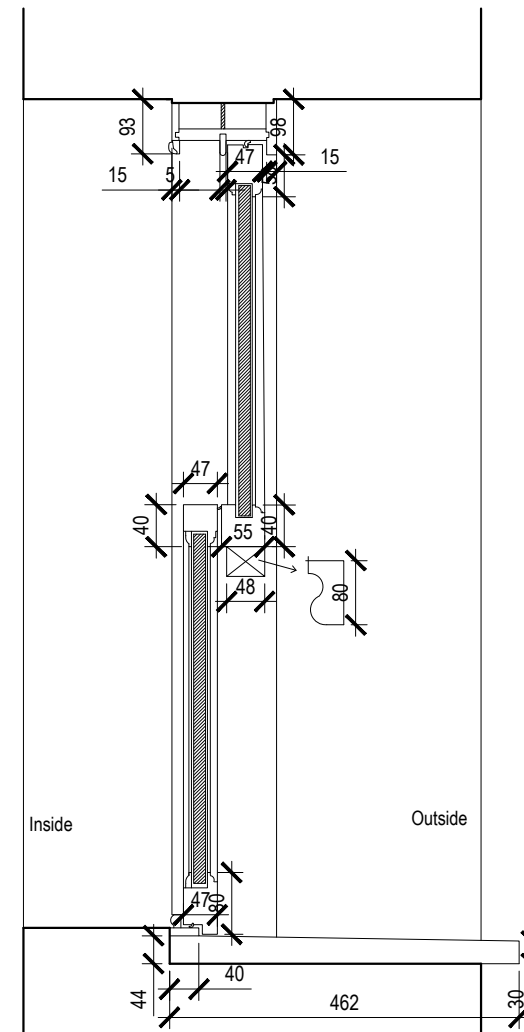
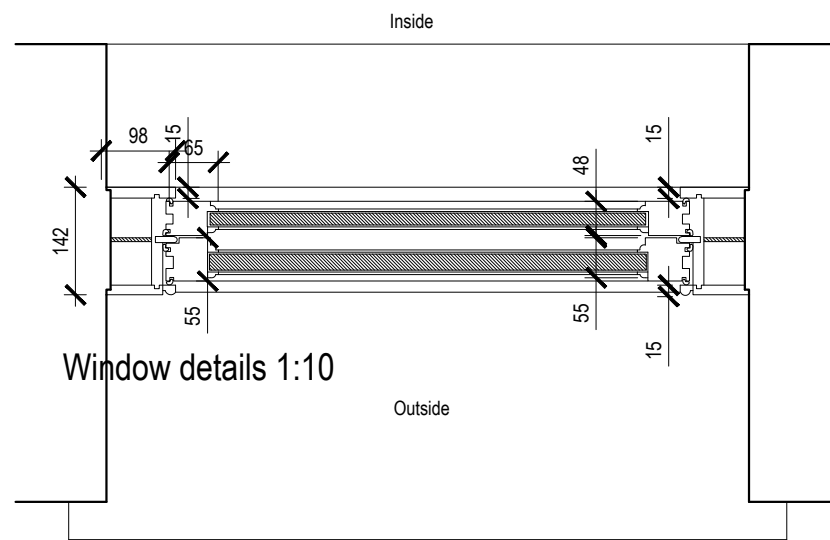


Sash Window On Weights- FRONT VIEW



Sash Window On Weights- SIDE VIEW



Window details 1:10

Sash Window On Weights- TOP VIEW

Ecos Maclean Ltd
 Engineering - materials, energy, structure
 8A Chamberlain Street - London NW1 8XB - Tel: 020 7722 7525 - Fax: 020 7722 9711
 Web-site: www.nickmaclean.co.uk - e-mail: office@nickmaclean.co.uk

Stephanie Gwatkin

23a Bartholomew Road
 NW5 2AH

Details
 sash window

Revision	Date	Made by	Amendments

Date	18.03.16	Drawn by	MS	Checked	CHC
Scales	1:10@A3	Job No.	16015	Drawing No.	13

I:\users\mariona\Dropbox\05 ECOS NETWORK LLP\PROJECTS\Bartholomew\Bartholomew Rd.revised section and elevations.dwg