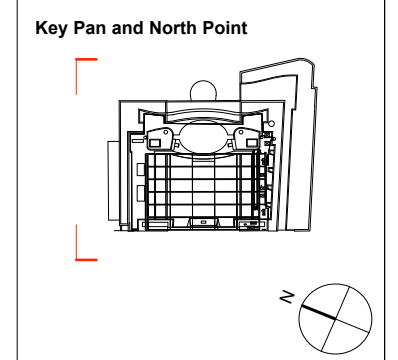


-Do not scale drawings
 -All dimensions are in millimetres unless stated otherwise
 -Use figured dimensions only and report any discrepancies in writing to the architect
 -Refer to specifications annotated on the drawing and the following general specifications:

- Specific key and notes**
- 1 Rooftop plant pavillion
 - 2 Entrance to Main Reception
 - 3 Disabled access ramp
 - 4 Entrance to Congress Centre
 - 5 Jury's Hotel
 - 6 Stair core
 - 7 Existing Chiller
 - 8 Yorkstone steps
 - 9 Existing ETFE roof
 - 10 Existing Branding logo
 - 11 Existing Congress House Signage

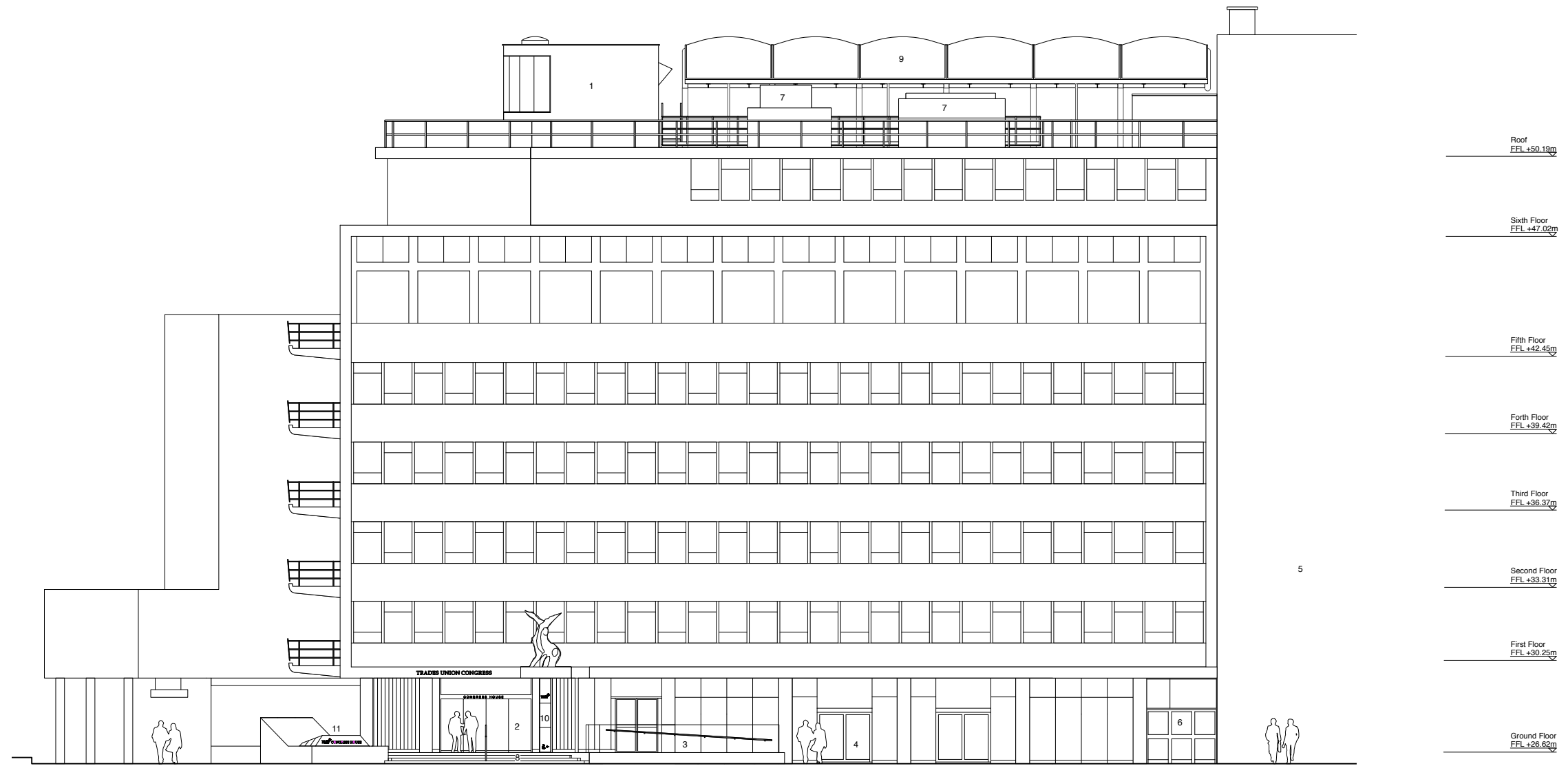


0 1 Listed Building & Advertising Cnst. GP 06/17

TUC Congress House
South Side
 Existing North Elevation
 Status: Listed Building & Advertising Cnst.
 1:100 (A1) 1:200 (A3)
 June 2017

Draw N° 205 / E1022-RevP1
 Drawn by GP | Authorised by HB | Size A1

HUGHBROUGHTONARCHITECTS
 41a Beavor Lane London W6 9BL
 T 020 8735 9959 F 020 8563 3891 E info@hbachitects.co.uk
 © Hugh Broughton Architects Ltd



EXISTING NORTH ELEVATION 1:100