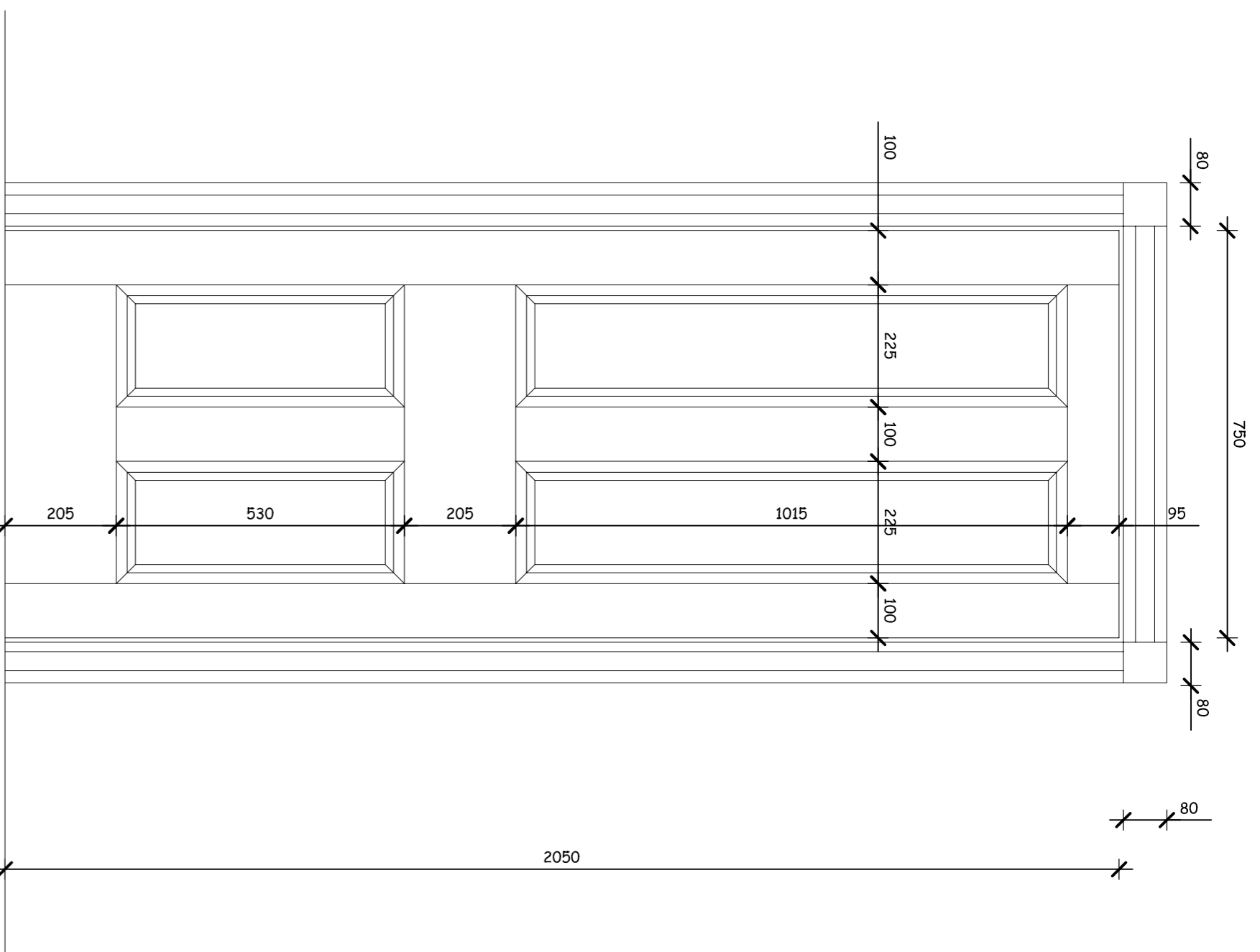


NOTES :

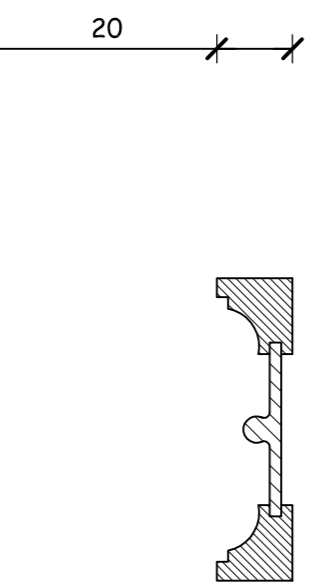
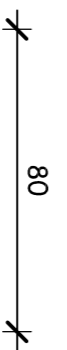
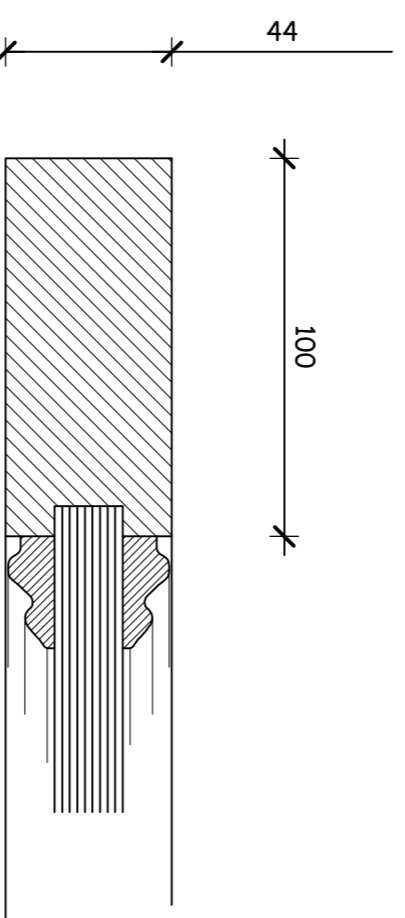
REFER TO DRAWING 370 / 02 FOR SPECIFIC DOOR LOCATIONS



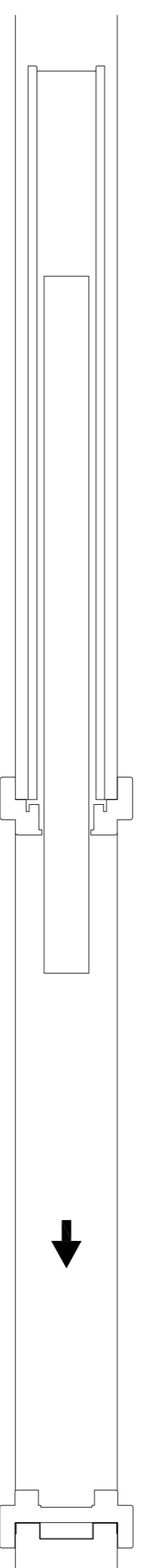
Paneled door elevation - TYPE D1
Scale 1:10



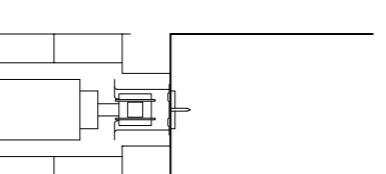
Pocket door elevation - TYPE D2
Scale 1:10



Paneled door profile and architrave - TYPE D1
SCALE 1:2



Pocket - door plan - TYPE D2
SCALE 1:5



Pocket door - head detail - TYPE D2
SCALE 1:5

Rev	Date	Revision
P2	15.06.17	Door profile dims. adjusted
P1	13.06.17	Door height adjusted

Project :

Flat 3
12 Mecklenburgh Sq
London
WC1N 2AD

Drawing Title

Internal door details



design and technical management
67a High Street
Birmingham
Bucks

Drawn : R. F.	Scale: As stated	Date : Jun 2017
------------------	---------------------	--------------------

Drawing No. : 370-10	Rev : P2
-------------------------	-------------