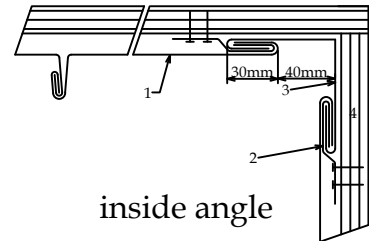
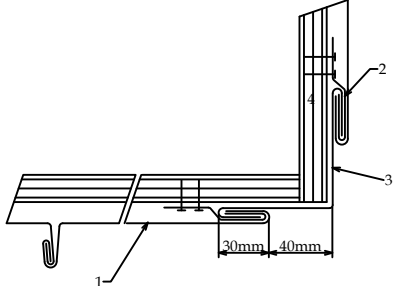


JUNCTIONS OF CORNER IN CLADDING

Vertical standing seam

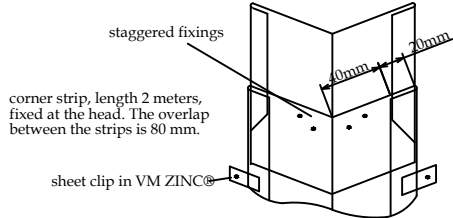


inside angle



outside angle

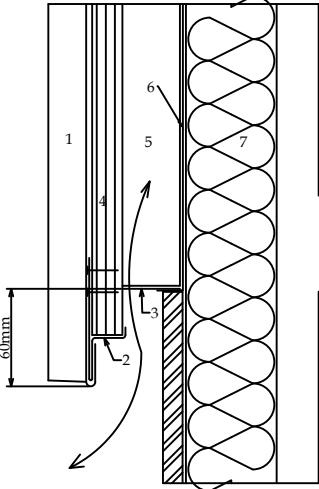
- 1. VMZ standing seam in VMZINC® PLUS
- 2. sheet clip in VMZINC® PLUS, th=0.7 mm min., w=80 mm, 3 per m
- 3. corner strip in VMZINC® PLUS
- 4. plywood



corner strip, length 2 meters, fixed at the head. The overlap between the strips is 80 mm.

sheet clip in VM ZINC®

BASE OF TRAY



- 1. VMZ standing seam in VMZINC® PLUS
- 2. edge flashing in VMZINC® PLUS, continuous
- 3. insect mesh
- 4. plywood
- 5. loadbearing structure - ventilated space
- 6. VMZINC Membrane
- 7. insulation