

## Overview

[Profile specification](#)[Features](#)[Options & extras](#)[Colours & finishes](#)

## Security

[Origin's multi-point lock](#)[Barnets](#)

## Performance &amp; limitations

[Origin thermal ratings](#)[Weather](#)[Performance testing](#)[Accreditation](#)[Building regulation requirements](#)[Size limitations](#)

Explore a list of all Origin's door configurations and opening options

# Specification overview

## Thermally Broken Aluminium Bi-folding Door



External view of bi-folding doors



Internal view of bi-folding doors

### Profile specification

Outer Frame Depth	75mm
Sash Depth	59mm
Sash Sightline	72mm
Track Height (not including rebate)	50mm

### Features

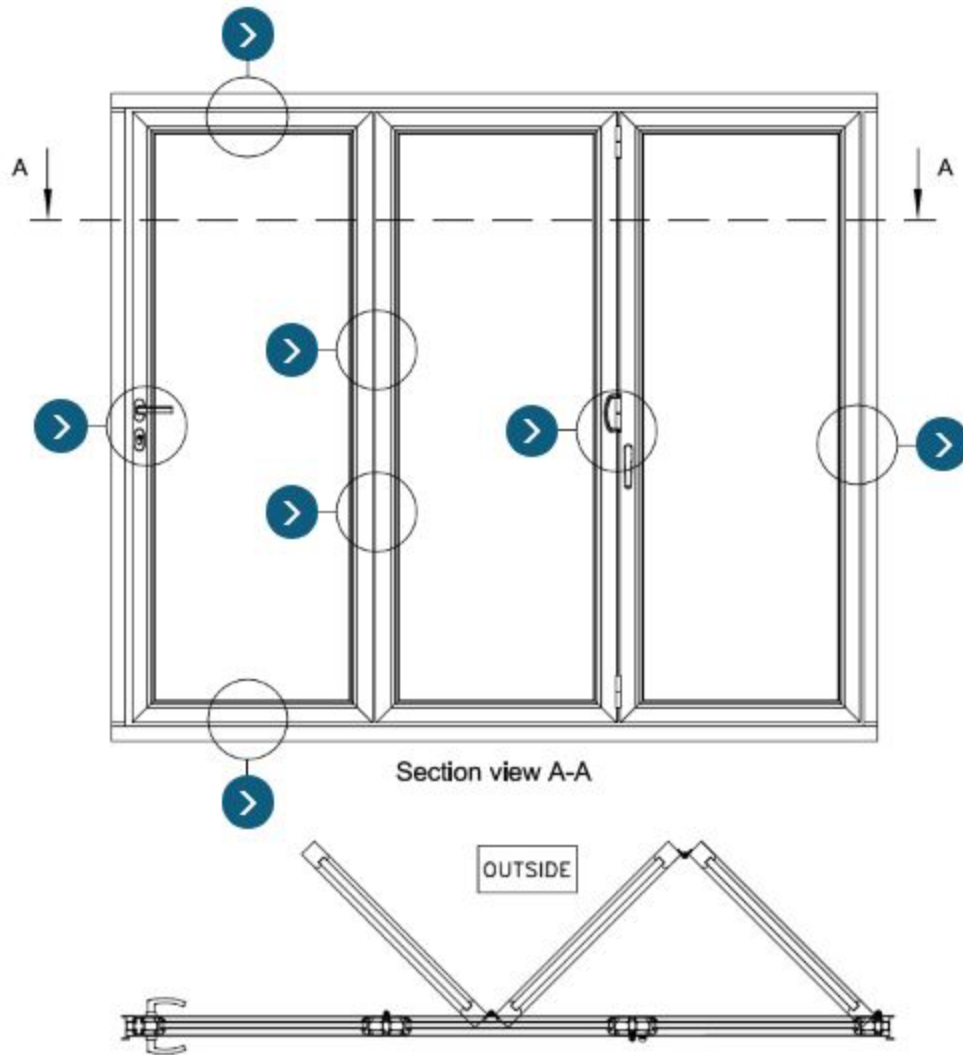
- ▶ 20 year guarantee
- ▶ The doors are bottom running and incorporate a unique free glide carriage assembly, which uses acetal rollers with sealed SKF stainless steel bearings on an 8mm hardened stainless steel axle
- ▶ Chamfered bead internally and externally
- ▶ Packaged in kit form for easy transportation and installation
- ▶ 8 point locking system which conforms to Secure by Design standards, and includes chamfered 20mm linear bolts and deep throw 25mm security hooks
- ▶ Each door comes with three solid zinc security hinges

### Options & extras

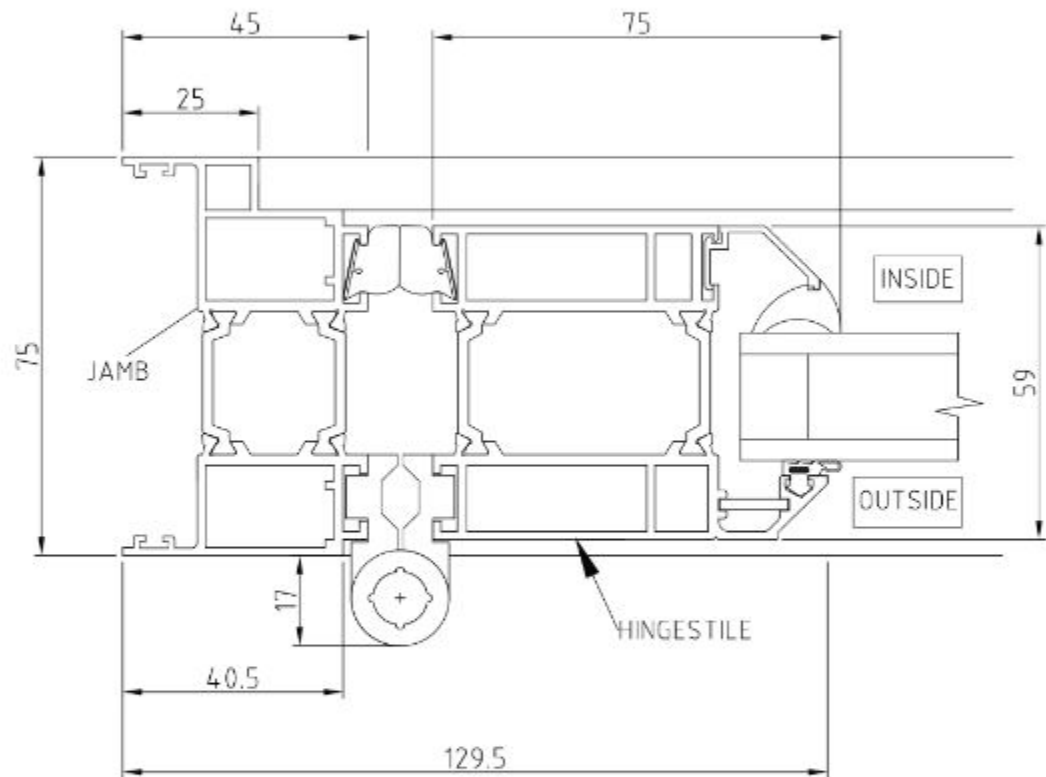
- ▶ Single, French, Bi-fold and Moving Corner Bi-Fold Doors
- ▶ Accommodates double and triple glazing with unit sizes of 24mm, 28mm or 32mm
- ▶ Weathered (standard) or non-weathered (low) threshold available
- ▶ Open in or open out
- ▶ Cill options are: 95, 155, 180 and 225mm
- ▶ Available in over 150 different colours
- ▶ Fork colours include black, white, stainless steel finish or colour coded options
- ▶ Standard, 1 star or 3 star keyed cylinder options
- ▶ Hinge colours: black/white, stainless steel finish
- ▶ Colour coded Gaskets available in 5 different colours: black, white, light grey, graphite grey, light oak, bronze, chestnut brown
- ▶ Door to window coupling
- ▶ 2500EA & 5000EA Trickle Vents available
- ▶ Marine finish
- ▶ Comprehensive handle range, including colour matched options

# Master Configurations

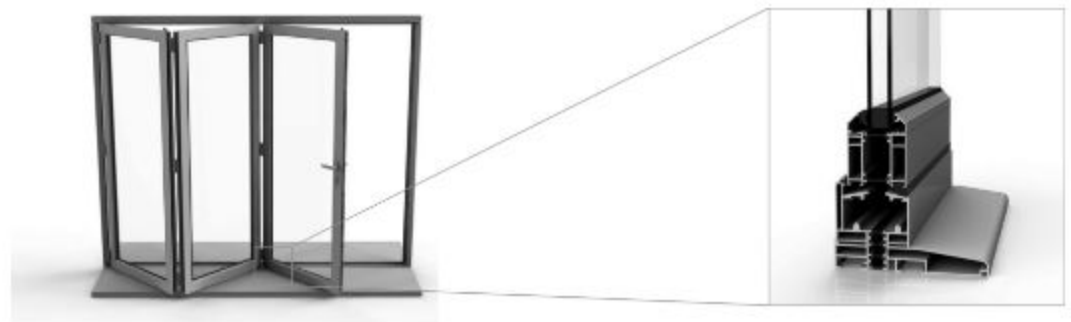
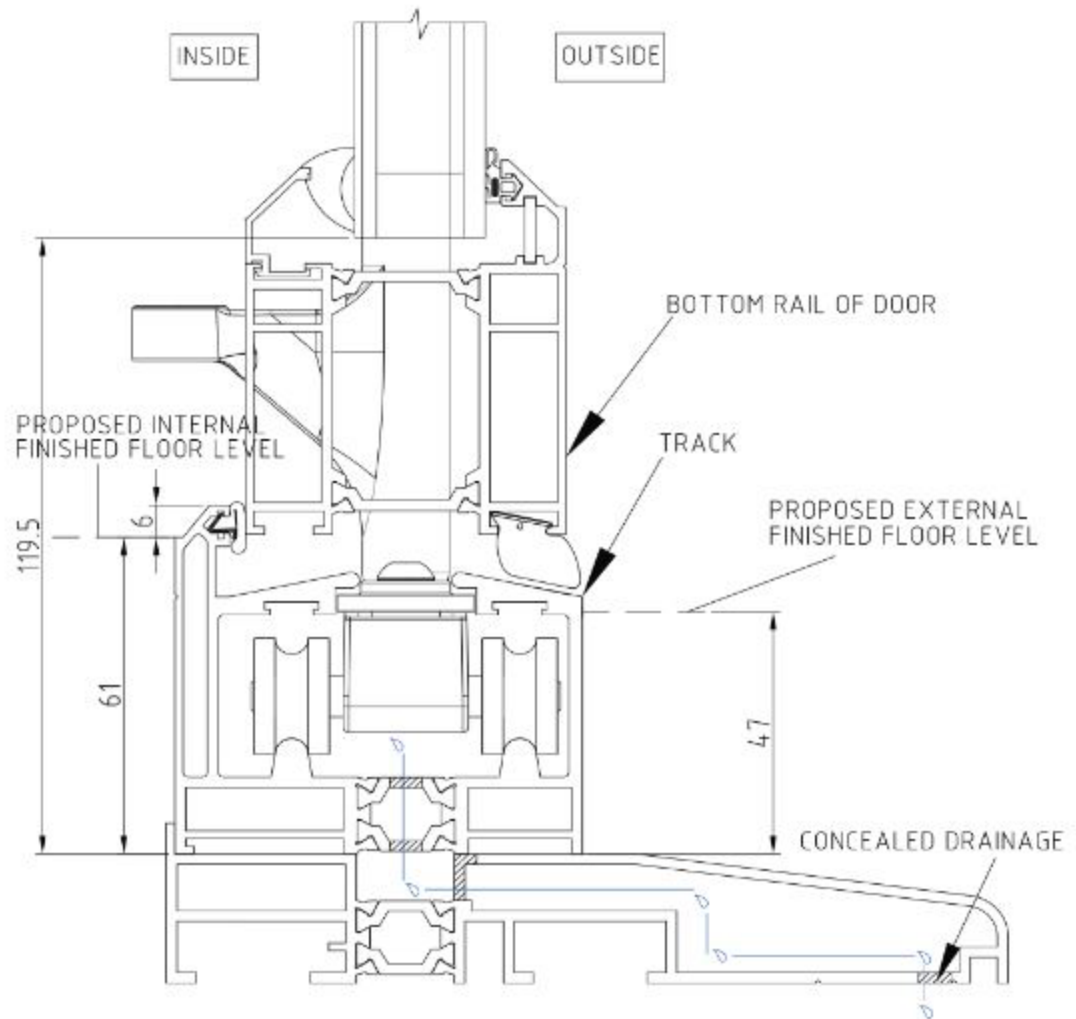
## 3 Door Left



# Hinge Jamb Detail

[Back to technical drawings](#)[Expand all](#)[Cills](#)[Corner post](#)[Glazing](#)[Handles](#)[Jambs](#)[Hinge Jamb Detail](#)[Locking Jamb Detail](#)[Jamb Fixing Detail](#)[Locks](#)[Midrails](#)[Mullions](#)[Stiles](#)[Threshold](#)[Tracks](#)[Trickle vents](#)

# Bottom Track Detail Concealed Drainage

[← Back to technical drawings](#)[▼ Expand all](#)[Cills](#)[Corner post](#)[Glazing](#)[Handles](#)[Jambs](#)[Locks](#)[Midrails](#)[Mullions](#)[Stiles](#)[Threshold](#)[Bottom Track Detail  
Concealed Drainage](#)[Rebated Threshold  
Detail with concealed  
drainage](#)[Bottom Track Detail  
\(Open in\)](#)[Non-Weathered  
Threshold Detail](#)[Bottom Track Detail  
Face Drainage](#)[Tracks](#)[Trickle vents](#)

# Top Track Detail

[Back to technical drawings](#)[Expand all](#)[Cills](#)[Corner post](#)[Glazing](#)[Handles](#)[Jambs](#)[Locks](#)[Midrails](#)[Mullions](#)[Stiles](#)[Threshold](#)[Tracks](#)[Top Track Detail](#)[Trickle vents](#)