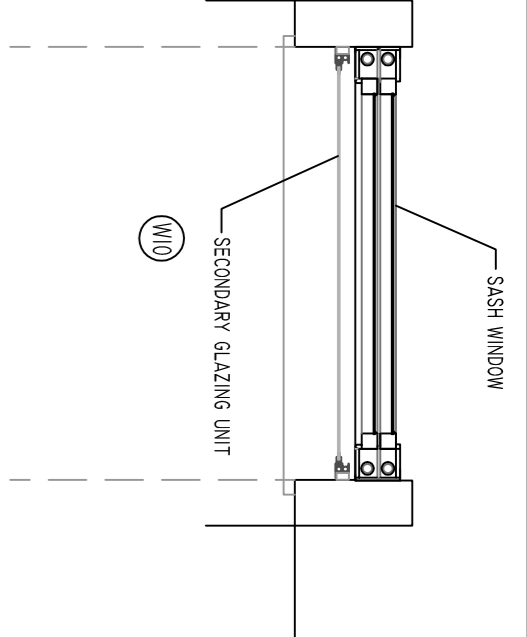
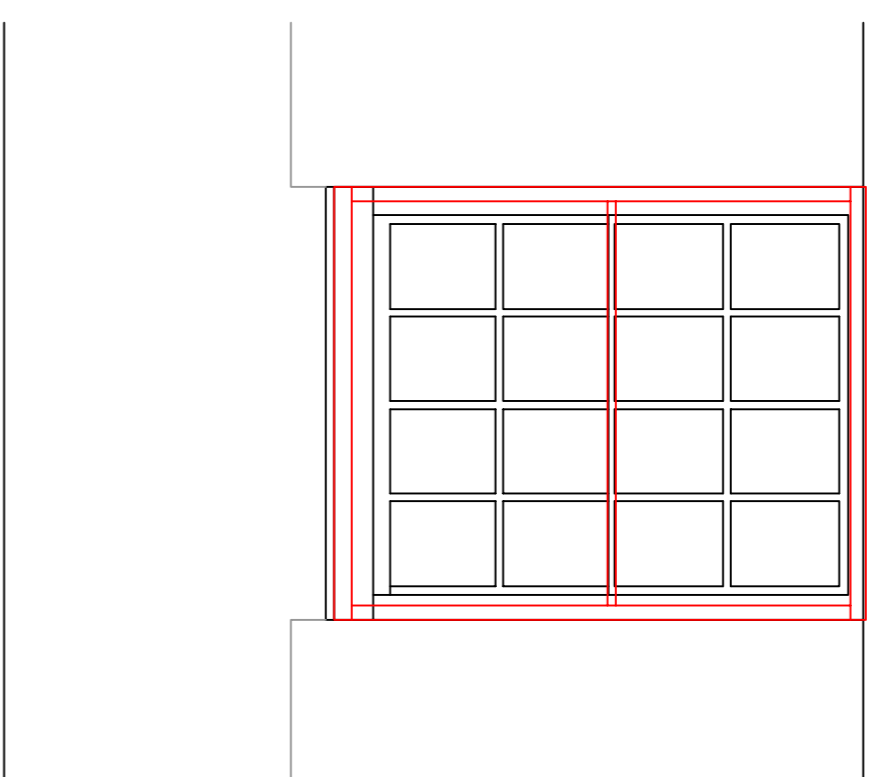




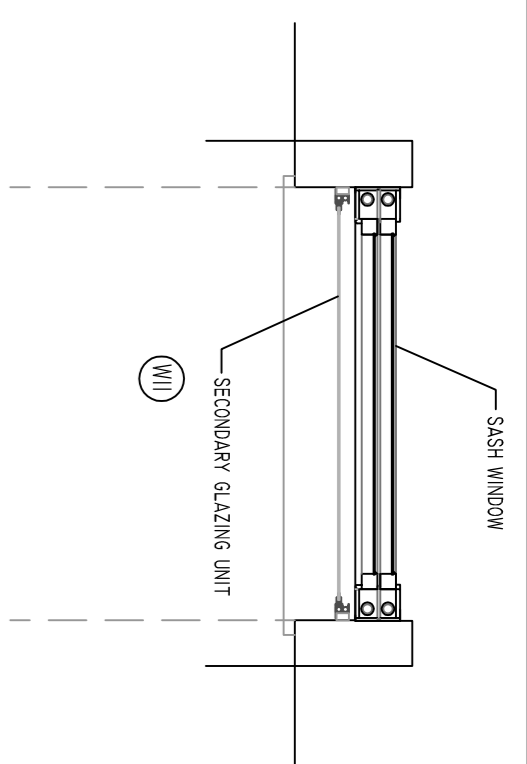
The Honourable  
Society of Gray's Inn  
8 South Square,  
London,  
WC1R 5ET  
Telephone:  
020 7458 7800



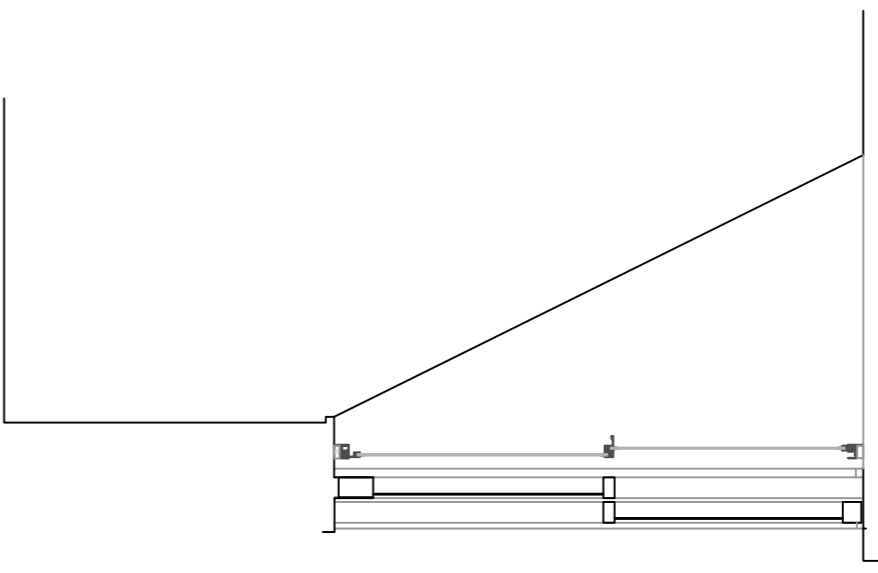
SECONDARY GLAZING UNITS TO BE SUPPLIED AND FITTED BY SELECTGLAZE - SERIES 20 SLIMLINE UNITS FINISHED IN WHITE



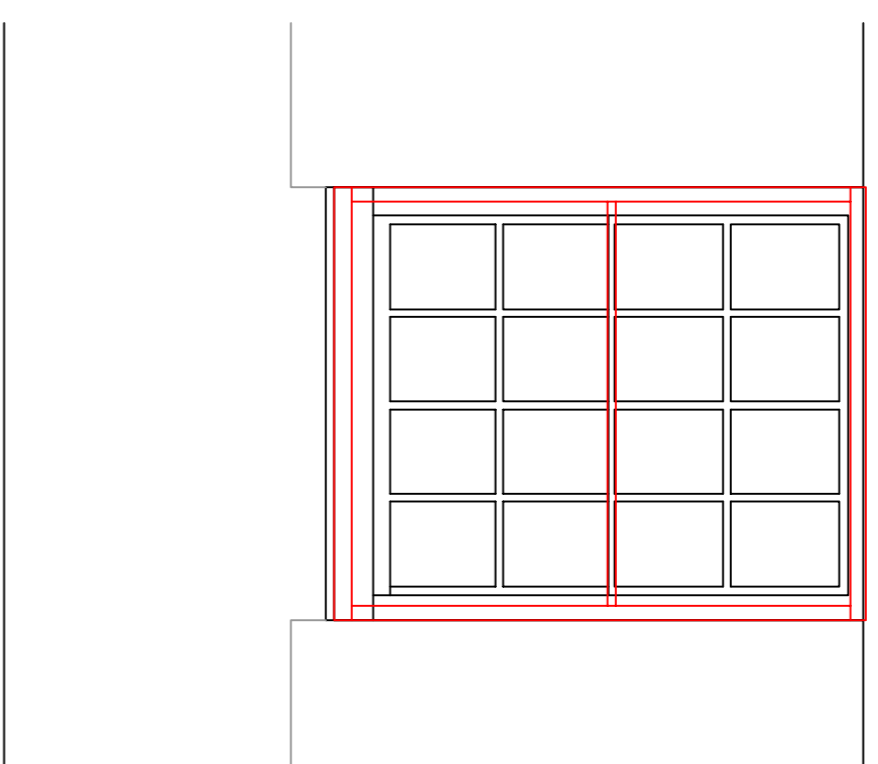
M10



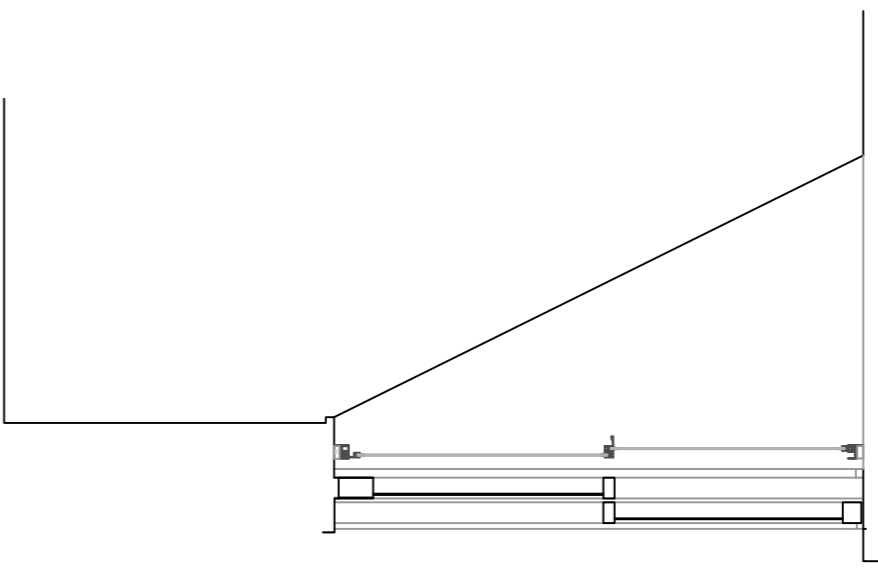
SECONDARY GLAZING UNITS TO BE SUPPLIED AND FITTED BY SELECTGLAZE - SERIES 20 SLIMLINE UNITS FINISHED IN WHITE



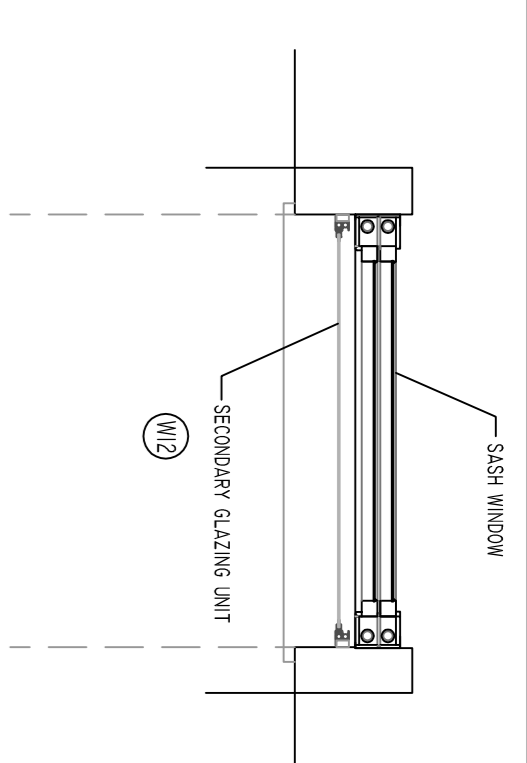
M11



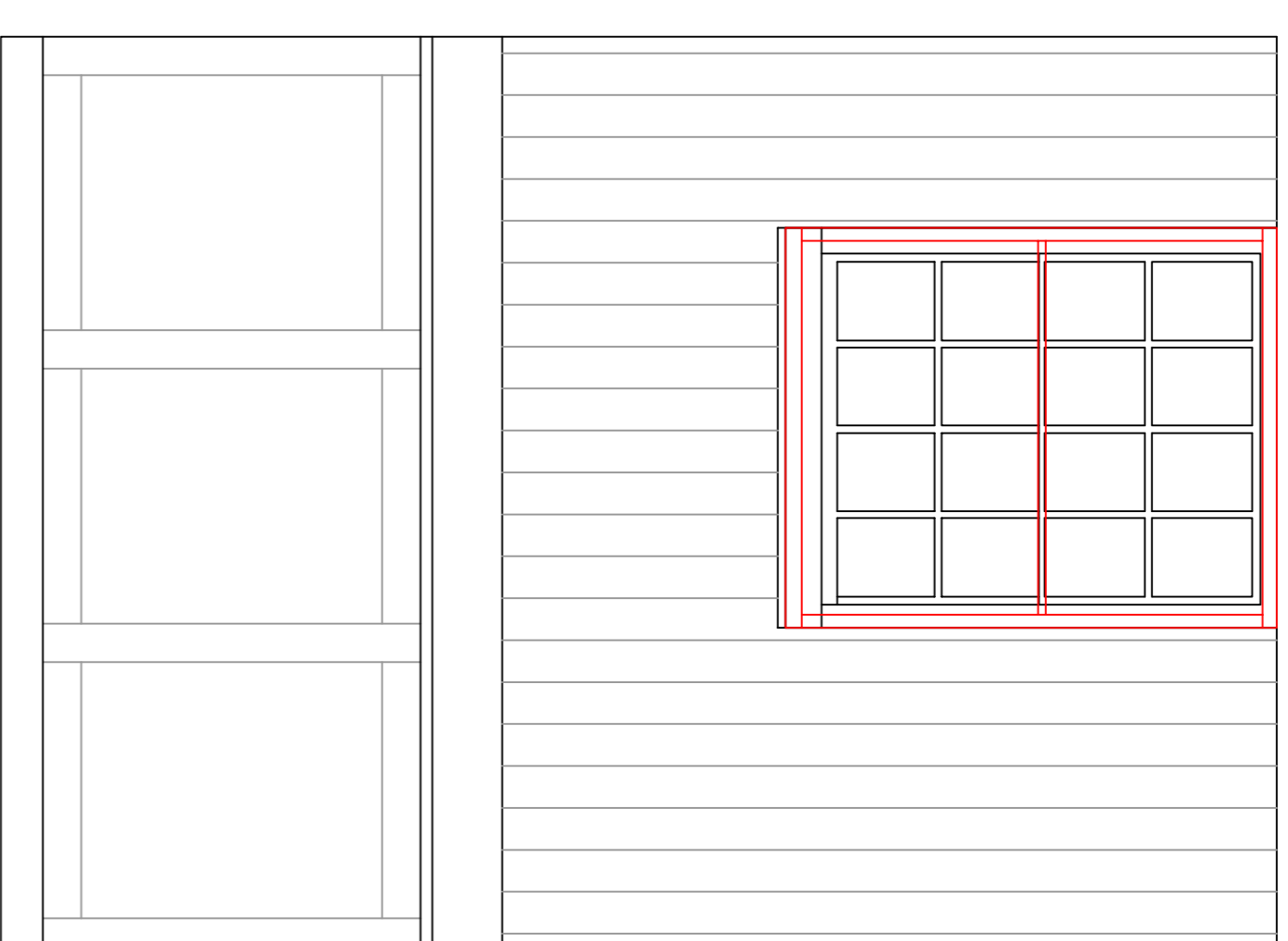
M11



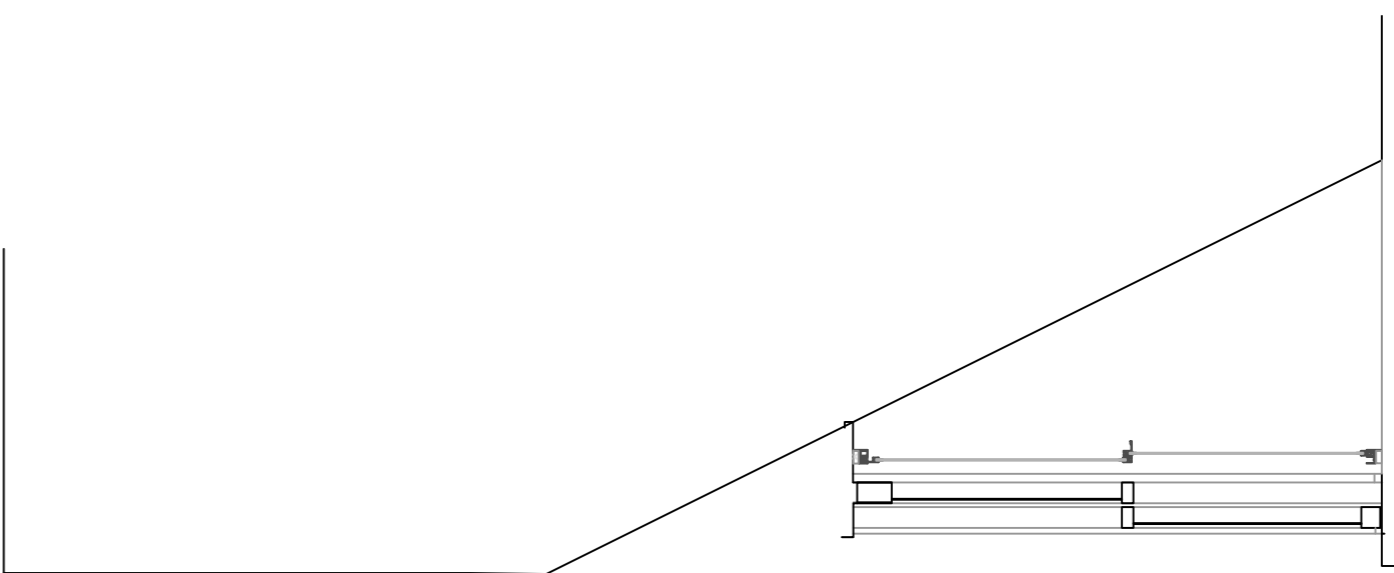
M11



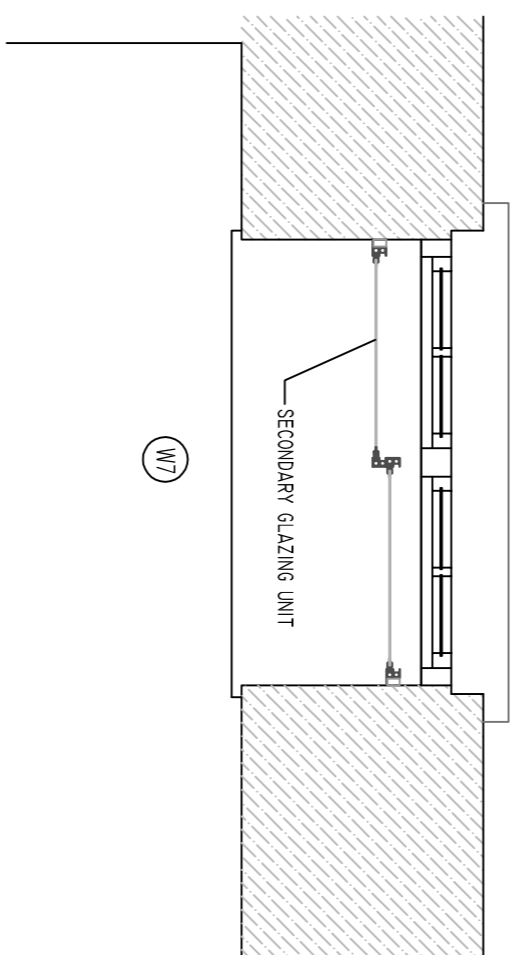
SECONDARY GLAZING UNITS TO BE SUPPLIED AND FITTED BY SELECTGLAZE - SERIES 20 SLIMLINE UNITS FINISHED IN WHITE



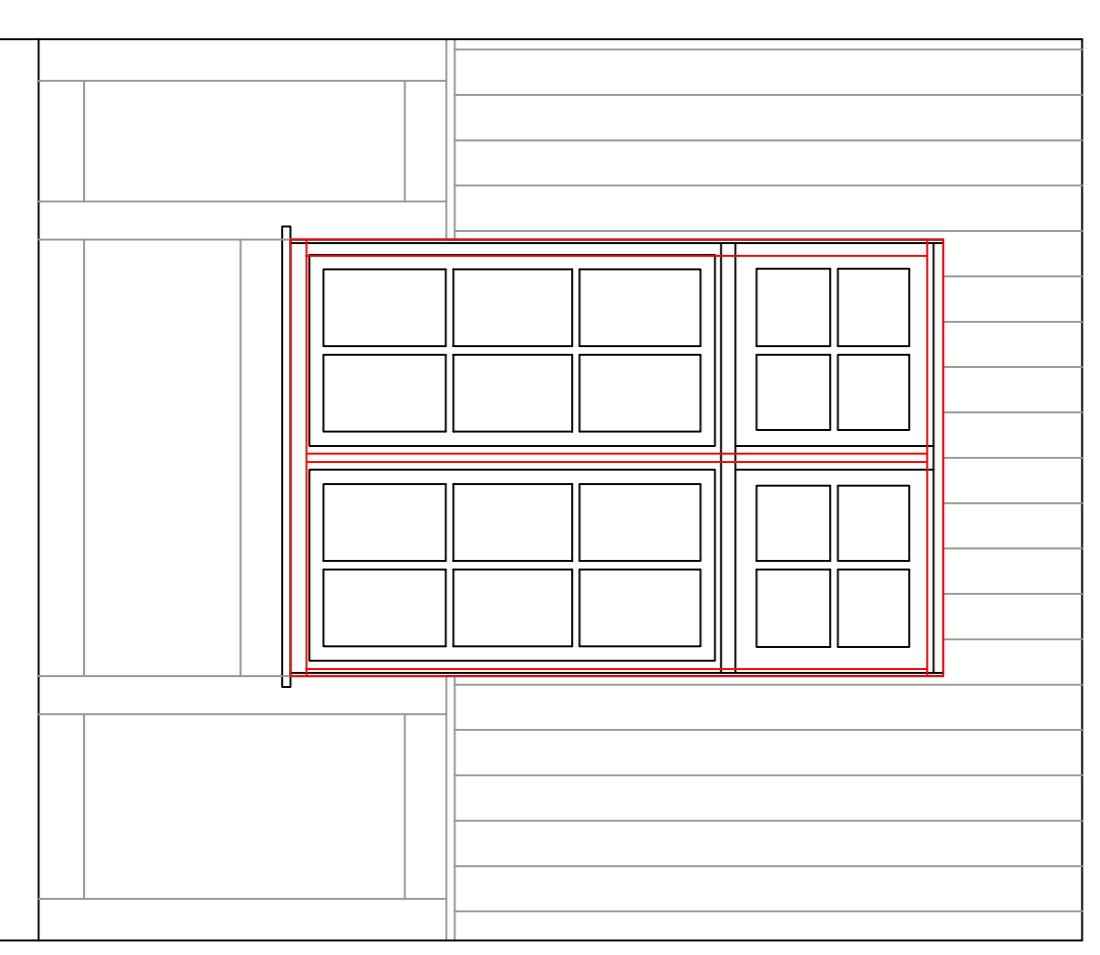
M12



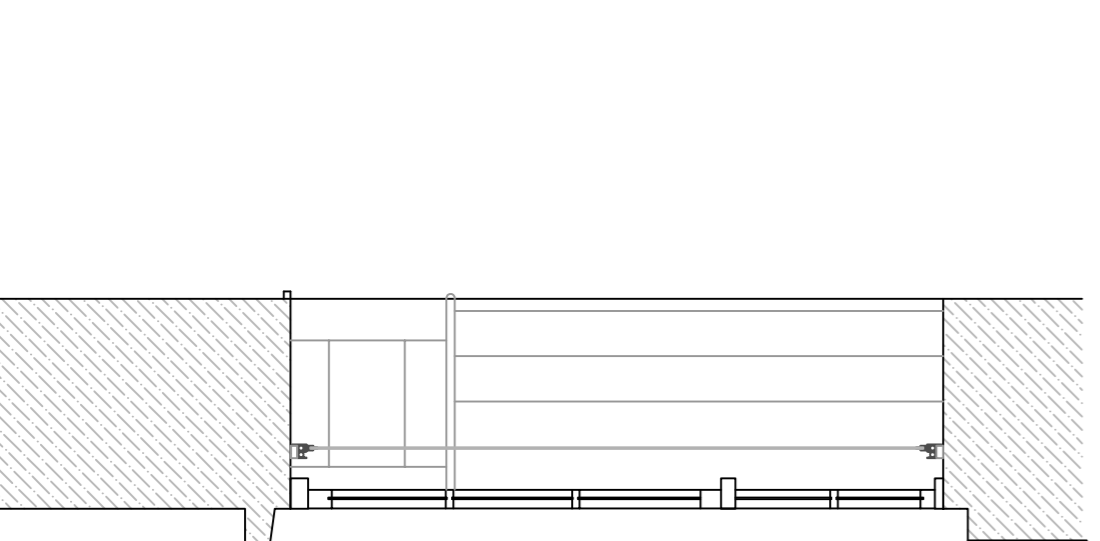
M12



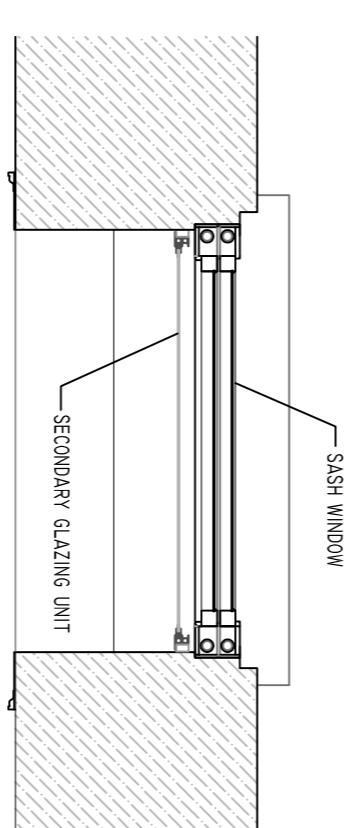
SECONDARY GLAZING UNITS TO BE SUPPLIED AND FITTED BY SELECTGLAZE - SERIES 20 SLIMLINE HORIZONTAL SLIDER UNITS FINISHED IN WHITE



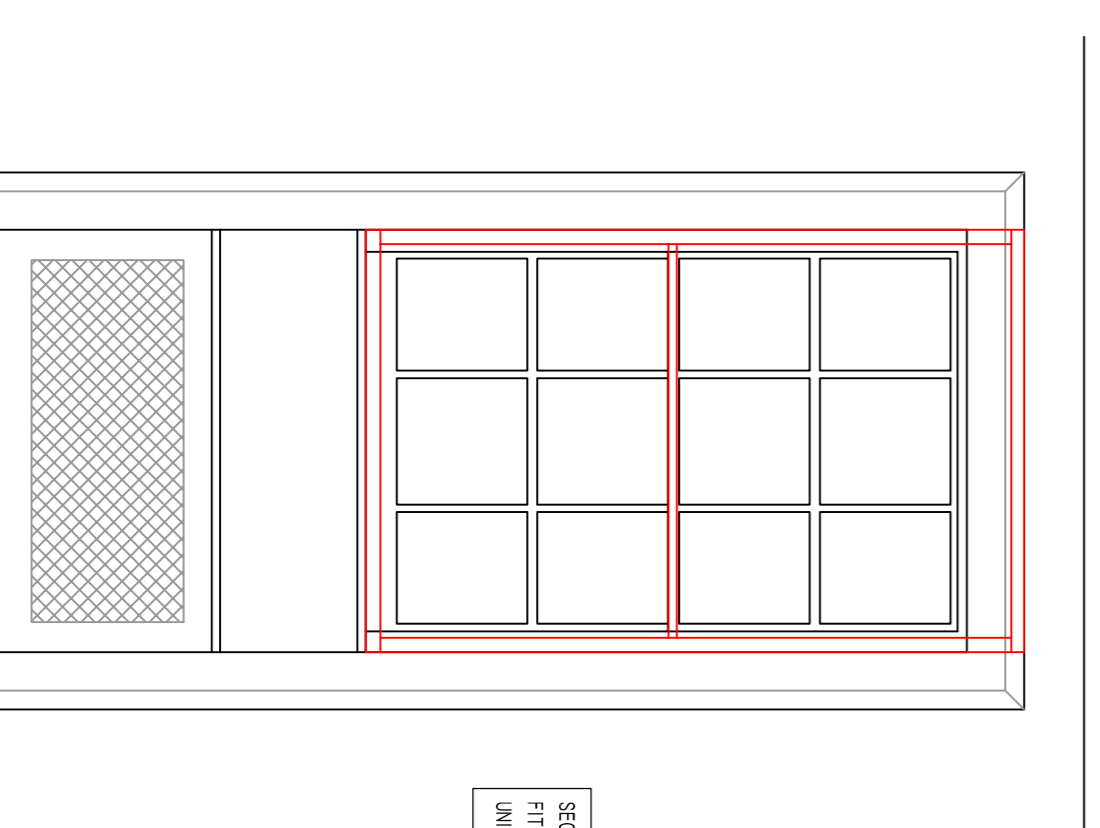
M7



M7

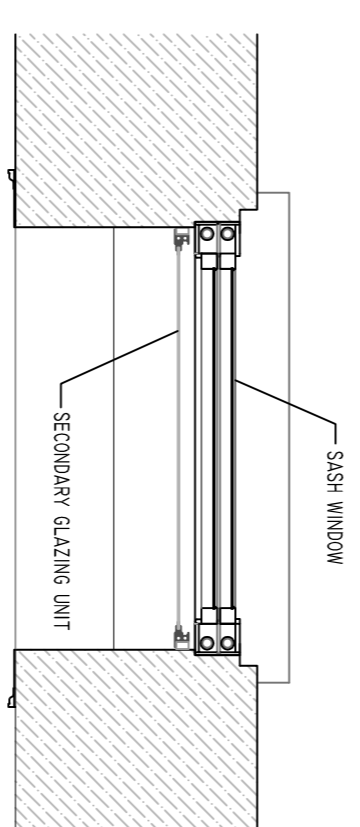


M8

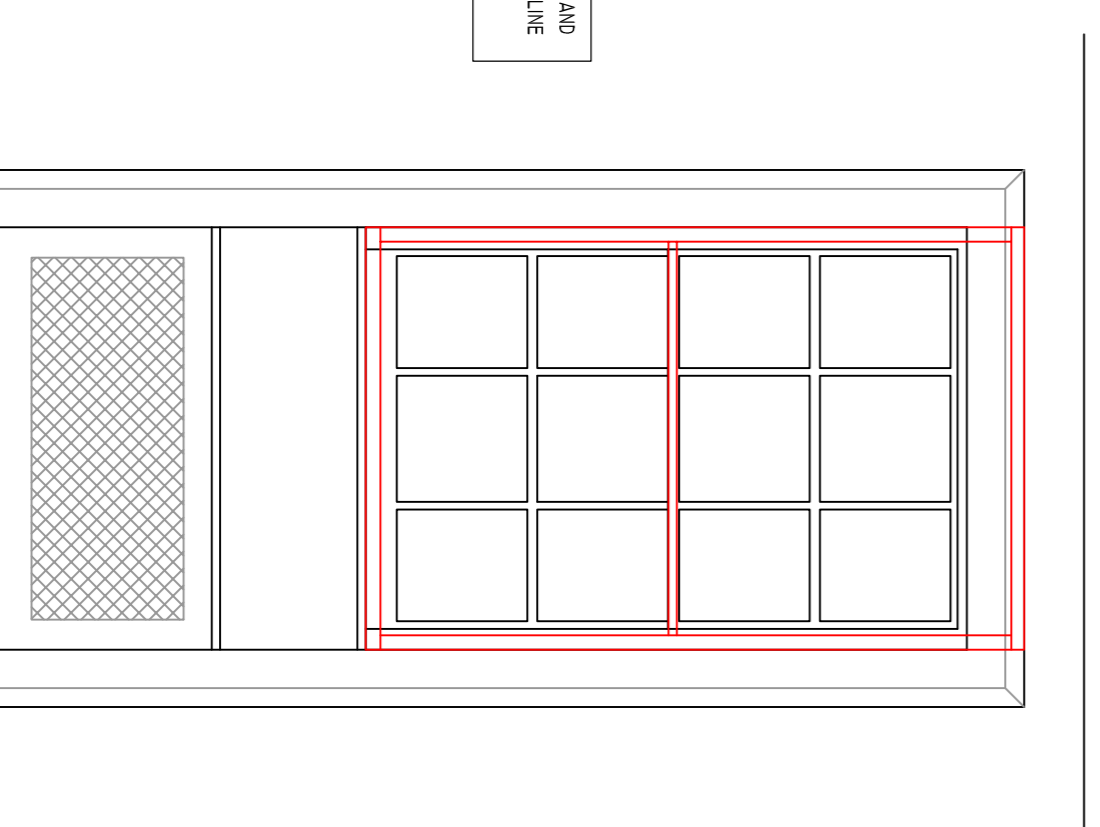


M8

SECONDARY GLAZING UNITS TO BE SUPPLIED AND FITTED BY SELECTGLAZE - SERIES 20 SLIMLINE UNITS FINISHED IN WHITE



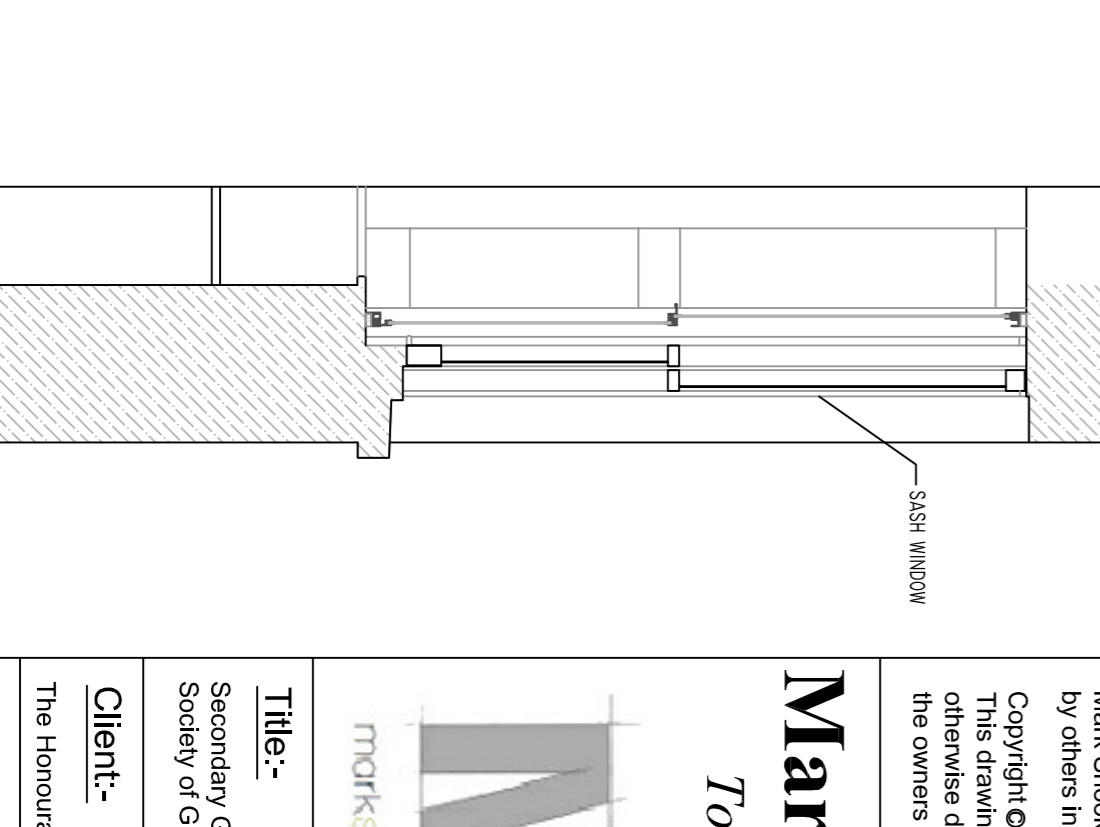
M9



M9



M10



M10

**Notes**  
Do not scale this drawing, use figured dimensions only.  
Mark Snook Planning accepts no responsibility for any errors made by others in scaling from this drawing.  
Copyright © Mark Snook Planning 2017.  
This drawing is Copyright and must not be reproduced, lent, or otherwise disclosed to any third party without the written consent of the owners of the Copyright.

# Mark Snook Planning

Town Planning Consultants.

The Pike House,  
Kingshill Road,  
Dursley, Glos,  
GL11 4BJ  
Telephone:  
01453 549336  
Email:  
marksnookplanning@hotmail.com

<b>Title:-</b> Secondary Glazing Works to No1 South Square, The Honourable Society of Gray's Inn, London, WC1R 5HP	
<b>Client:-</b> The Honourable Society of Gray's Inn	
<b>Drawing:-</b> Proposed Secondary Glazing Details	
<b>Date:-</b> 25/05/2017	<b>Scale:-</b> 1:20
<b>Drawn:-</b> M.S	