

1 WCD - M1 - East Elevation - Zone 01
 1 : 100

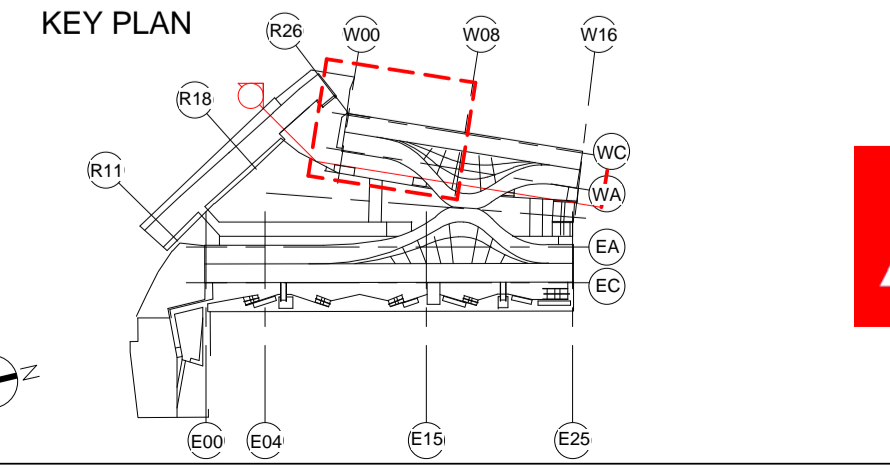
Status Code (as defined in BS1192)
 S0 - Initial Status or WIP
 S1 - Issued for co-ordination
 S2 - Issued for information
 S3 - Issued for internal review
 S4 - Issued for construction approval
 D1 - Issued for costing
 D2 - Issued for tender

Documentation (Contractual)
 A - Issued for construction
 B - Issued for construction but with comments
 C - Comprehensive revision required
 AB - Record Drawing

Documentation (Pre-construction)
 D3 - Issued for contractor design
 D4 - Issued for manufacture/procurement

rev	by	chkd	date	description
003	JSG	IAW	31/05/17	Updates to reflect Status C comments received 01/12/16.
002	TM	MWB	31/10/16	UPDATED AS CLOUDED

KEY PLAN



bam
 BAM Design Ltd
 An operating company of
 BAM Construct UK Ltd
 Architecture
 Interior Design
 3D Visualisation
 Feasibility Studies
 Structural Engineering
 Environmental Services
 Building Information Modelling

Centrium Business Park
 Giffords Way, St Albans
 Hemel Hempstead, AL1 2RD
 01727 864000
 design@bam.co.uk
 www.bam.co.uk

project COAL DROPS YARD

title Proposed East Elevation - West
 Coal Drop Sheet 01

purpose of issue CONSTRUCTION

scale 1 : 100 @ A1

date 06/30/16

drawn TM

checked DGW

BAM job no. 4389

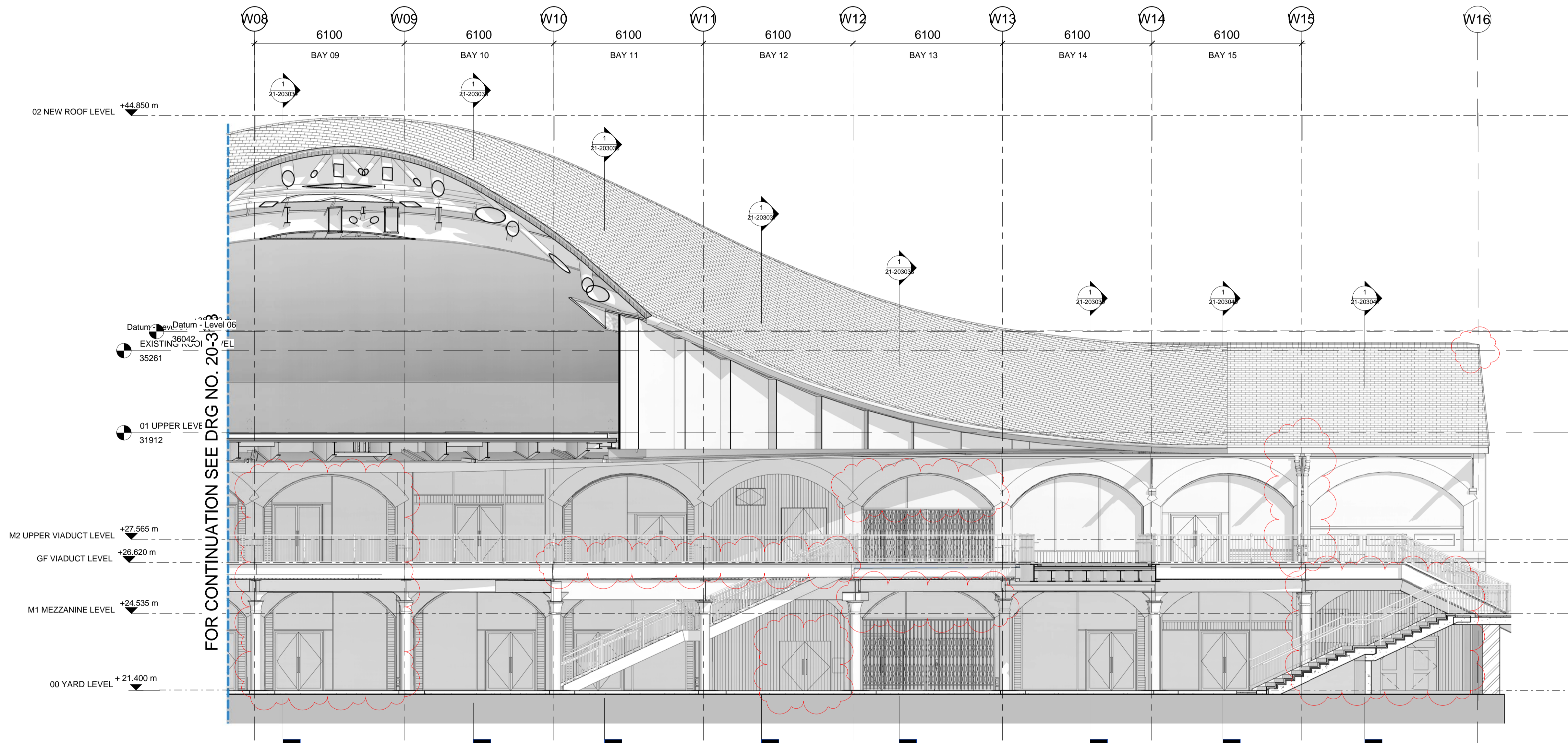
rev S4

003

01727 864000
 design@bam.co.uk
 www.bam.co.uk

project Consultant Role C/SFR Content rev

KXC-M1- 001-BD4389-A- 20-313



1 WCD - M1 - East Elevation - Zone 02
 1 : 100

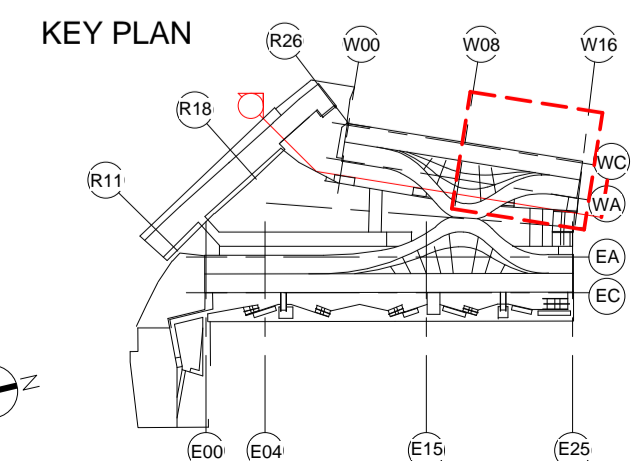
Status Code (as defined in BS1192)
 S0 - Initial Status or WIP
 Shared
 S1 - Issued for co-ordination
 S2 - Issued for information
 S3 - Issued for internal review
 S4 - Issued for construction approval
 Documentation (Pre-construction)
 D1 - Issued for costing
 D2 - Issued for tender

D3 - Issued for contractor design
 D4 - Issued for manufacture/procurement

Documentation (Contractual)
 A - Issued for construction
 B - Issued for construction but with comments
 C - Comprehensive revision required

Archive
 AB - Record Drawing

rev	by	chkd	date	description
003	JSG	IAW	31/05/17	Updates to reflect Status C comments received 24/11/16.
002	TM	MWB	31/10/16	UPDATED AS CLOUDED



bam
 BAM Design Ltd
 An operating company of BAM Construct UK Ltd
 Architecture
 Interior Design
 3D Visualisation
 Feasibility Studies
 Structural Engineering
 Environmental Services
 Building Information Modelling

Centrium Business Park
 Giffords Way, St Albans
 Hemel Hempstead, AL1 2RD
 01727 84000
 design@bam.co.uk
 www.bam.co.uk

project COAL DROPS YARD

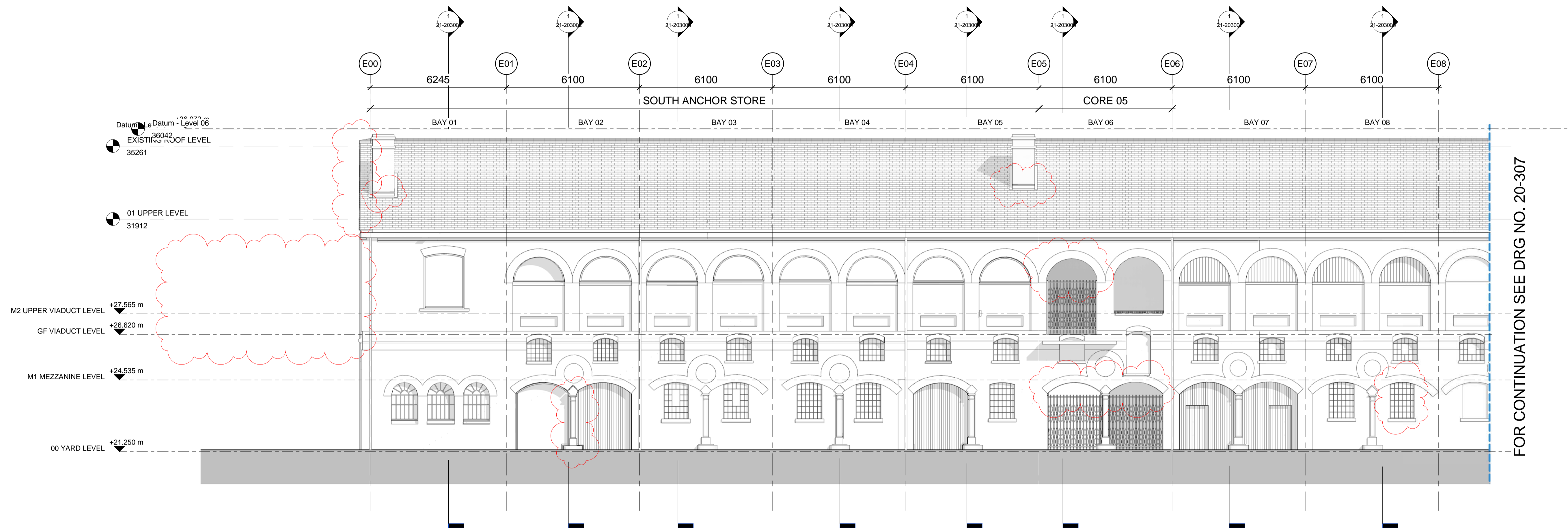
title Proposed East Elevation - West
 Coal Drop Sheet 02

purpose of issue CONSTRUCTION

scale 1 : 100 @ A1
 date 06/30/16
 site KXC-M1- 001-BD4389-A- 20-314

drawn TM
 checked DGW
 design@bam.co.uk

BAM job no. 4389
 Date 06/30/16
 rev 003



FOR CONTINUATION SEE DRG NO. 20-307

1 ECD - M2 - East Elevation - Zone 01
 1 : 100

Status Code (as defined in BS1192)
 S0 - Initial Status or WIP
 S1 - Issued for co-ordination
 S2 - Issued for information
 S3 - Issued for internal review
 S4 - Issued for construction approval
 D1 - Issued for costing
 D2 - Issued for tender

Work in Progress (WIP)
 S0 - Initial Status or WIP

Shared
 S1 - Issued for co-ordination
 S2 - Issued for information
 S3 - Issued for internal review
 S4 - Issued for construction approval

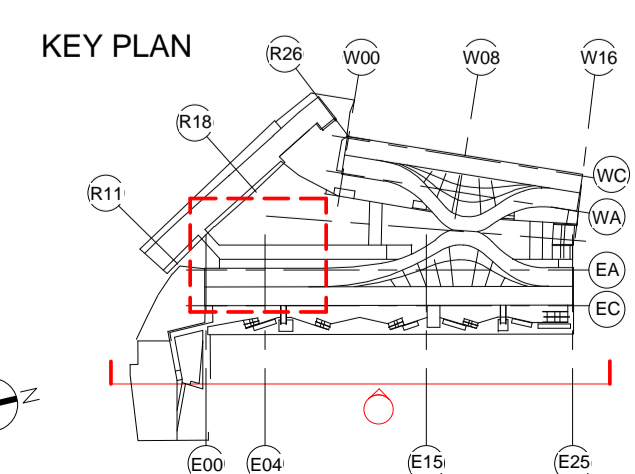
Documentation (Pre-construction)
 D1 - Issued for costing
 D2 - Issued for tender

D3 - Issued for contractor design
 D4 - Issued for manufacture/procurement

Documentation (Contractual)
 A - Issued for construction
 B - Issued for construction but with comments
 C - Comprehensive revision required

Archive
 AB - Record Drawing

rev	by	chkd	date	description
003	JSG	IAW	31/05/17	Updates to reflect Status C comments received 24/11/16.
002	TM	MWB	31/10/16	UPDATED AS CLOUDED



bam
 BAM Design Ltd
 An operating company of
 BAM Construct UK Ltd
 Architecture
 Interior Design
 3D Visualisation
 Feasibility Studies
 Structural Engineering
 Environmental Services
 Building Information Modelling

Centrium Business Park
 Giffords Way, St Albans
 Hemel Hempstead, AL1 2RD
 01727 84200
 design@bam.co.uk
 www.bam.co.uk

project COAL DROPS YARD

title Proposed East Elevation - East
 Coal Drop Sheet 01

scale 1 : 100 @ A1

date 06/30/16

site KXC-M2- 001-BD4389-A- 20-306

drawn TM

checked DGW

consultant B&B

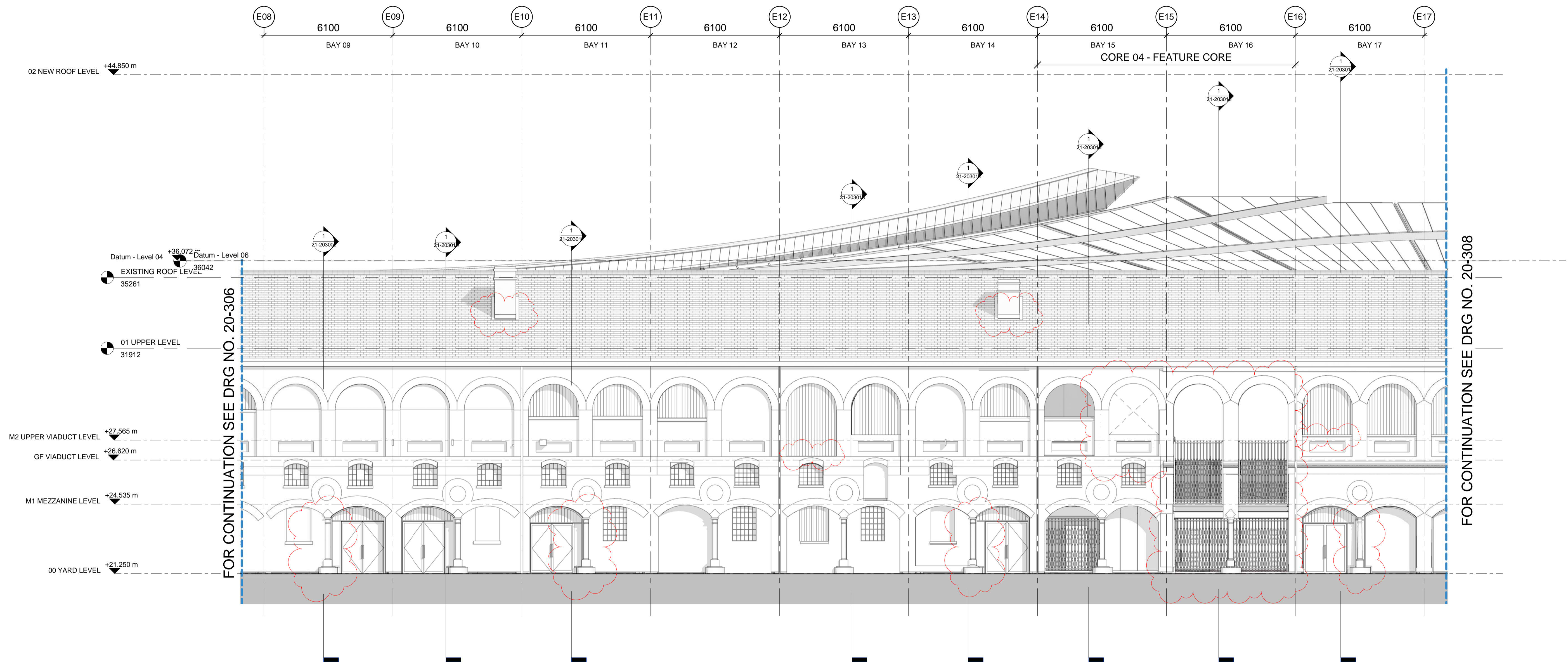
BAM job no. 4389

date 06/30/16

rev 003

purpose of issue CONSTRUCTION

dig. status S4



1 ECD - M2 - East Elevation - Zone 02
 1 : 100

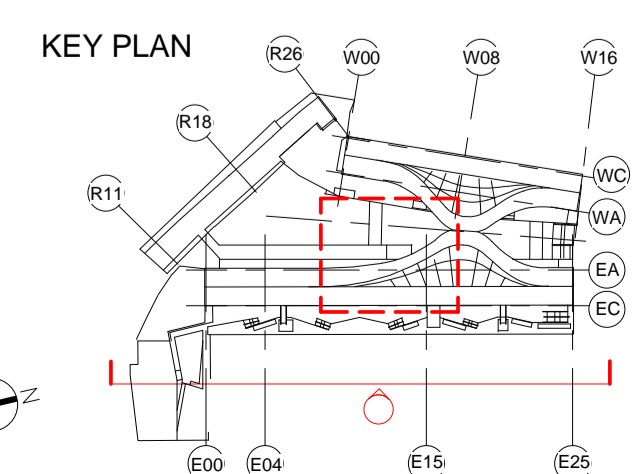
Status Code (as defined in BS1192)
 S0 - Initial Status or WIP
 S1 - Issued for co-ordination
 S2 - Issued for information
 S3 - Issued for internal review
 S4 - Issued for construction approval
 D1 - Issued for costing
 D2 - Issued for tender

Work in Progress (WIP)
 D3 - Issued for contractor design
 D4 - Issued for manufacture/procurement

Documentation (Contractual)
 A - Issued for construction
 B - Issued for construction but with comments
 C - Comprehensive revision required

Archive
 AB - Record Drawing

rev	by	chkd	date	Description
003	JSG	IAW	31/05/17	Updates to reflect Status C comments received 24/11/16.
002	TM	MWB	31/10/16	UPDATED AS CLOUDED



bam
 BAM Design Ltd
 An operating company of
 BAM Construct UK Ltd
 Architecture
 Interior Design
 3D Visualisation
 Feasibility Studies
 Structural Engineering
 Environmental Services
 Building Information Modelling

Centium Business Park
 Giffords Way, St Albans
 Hemel Hempstead, AL1 2RD
 01727 84000
 design@bam.co.uk
 www.bam.co.uk

project COAL DROPS YARD

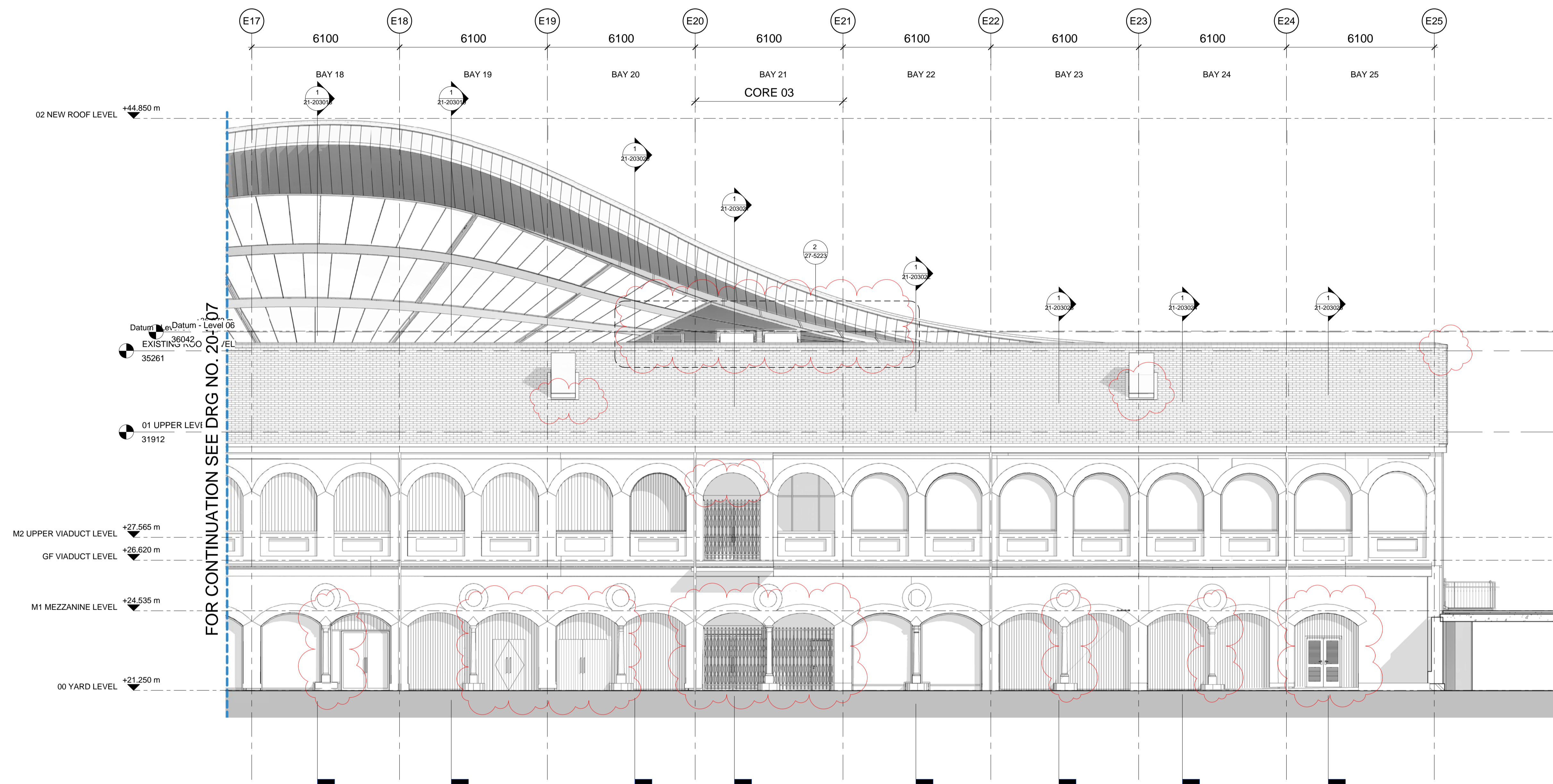
title Proposed East Elevation - East
 Coal Drop Sheet 02

scale 1 : 100 @ A1
 date 06/30/16
 site KXC-M2- 001-BD4389-A- 20-307

drawn TM
 checked DGW
 consultant B&B

BAM job no. 4389
 rev 003

purpose of issue CONSTRUCTION



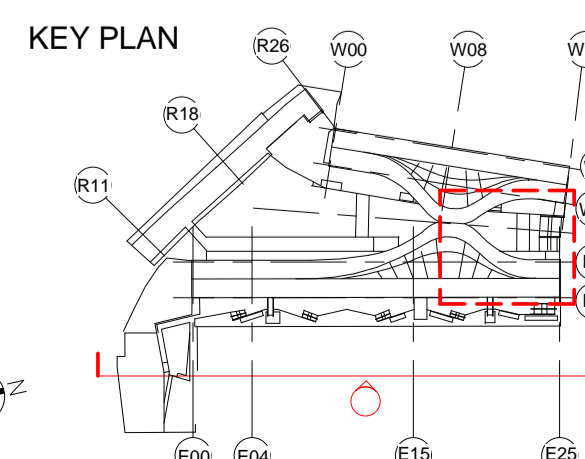
1 ECD - M2 - East Elevation - Zone 03
 1 : 100

Status Code (as defined in BS1192)
 S0 - Initial Status or WIP
 Shared
 S1 - Issued for co-ordination
 S2 - Issued for information
 S3 - Issued for internal review
 S4 - Issued for construction approval
Documentation (Pre-construction)
 D1 - Issued for costing
 D2 - Issued for tender

Documentation (Contractual)
 A - Issued for construction
 B - Issued for construction but with comments
 C - Comprehensive revision required
Archive
 AB - Record Drawing

Documentation (Contractual)
 D3 - Issued for contractor design
 D4 - Issued for manufacture/procurement

rev	by	chkd	date	description
003	JSG	IAG	31/05/17	Updates to reflect Status C comments received 24/11/16.
002	TM	MWB	31/10/16	UPDATED AS CLOUDED



bam
 BAM Design Ltd
 An operating company of
 BAM Construct UK Ltd
 Architecture
 Interior Design
 3D Visualisation
 Feasibility Studies
 Structural Engineering
 Environmental Services
 Building Information Modelling

Centrium Business Park
 Giffords Way, St Albans
 Hemel Hempstead, AL1 2RD
 01727 894200
 design@bam.co.uk
 www.bam.co.uk

project COAL DROPS YARD

title Proposed East Elevation - East
 Coal Drop Sheet 03

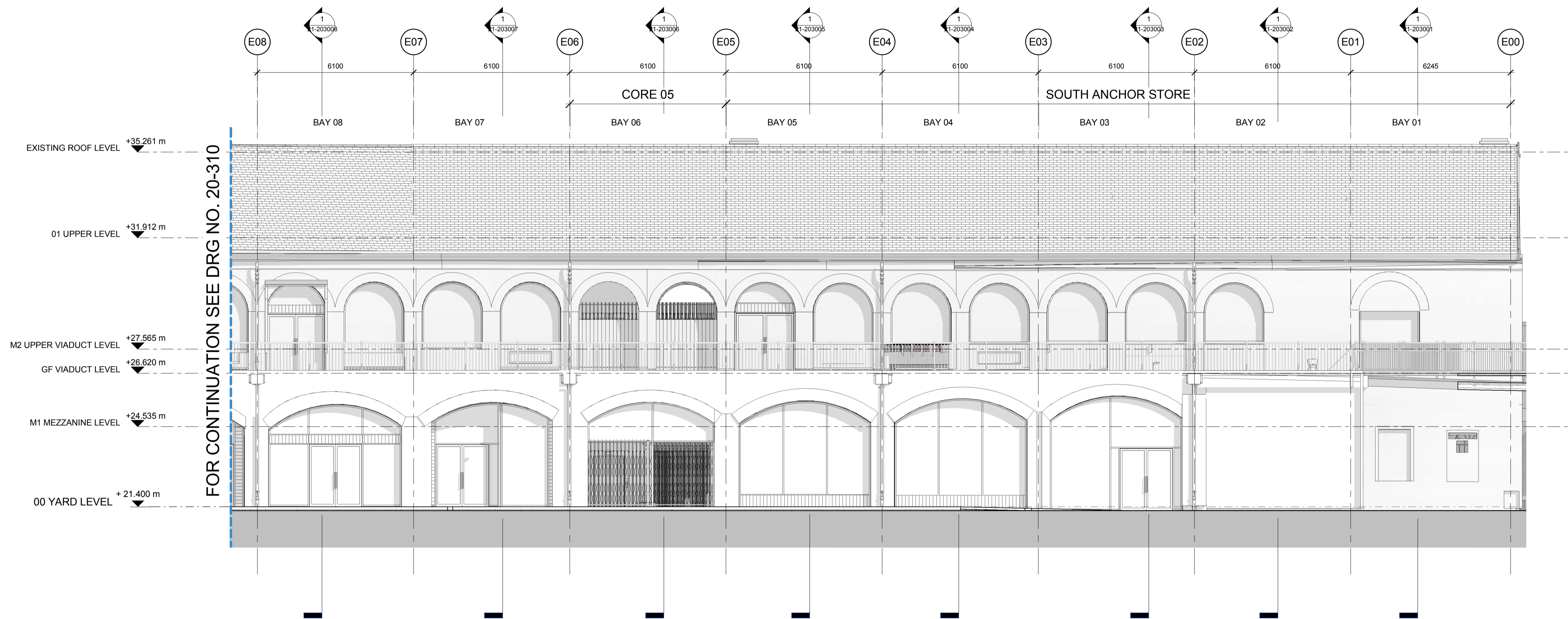
purpose of issue CONSTRUCTION

scale 1 : 100 @ A1
 date 06/30/16
 site KXC-M2- 001-BD4389-A- 20-308

drawn TM
 checked DGW
 consultant B&B

BAM job no. 4389
 rev 003

dig. status S4



1 ECD - M2 - West Elevation - Zone 01
 1 : 100

Status Code (as defined in BS1192)
 S0 - Initial Status or WIP
 S1 - Issued for co-ordination
 S2 - Issued for information
 S3 - Issued for internal review
 S4 - Issued for construction approval

Work In Progress (WIP)
 A - Issued for construction
 B - Issued for construction but with comments
 C - Comprehensive revision required

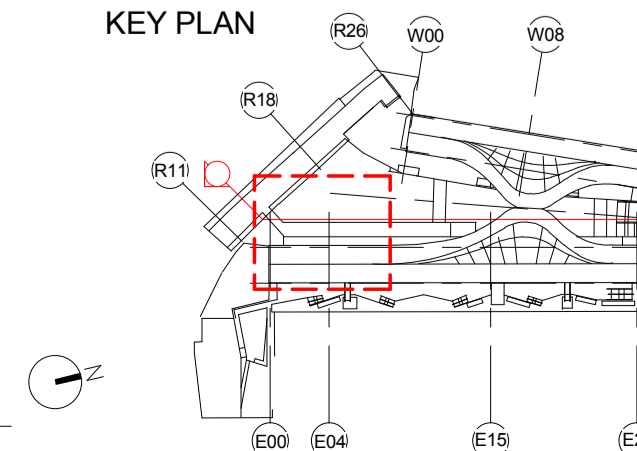
Shared
 AB - Record Drawing

Documentation (Pre-construction)
 D1 - Issued for costing
 D2 - Issued for tender

D3 - Issued for contractor design
D4 - Issued for manufacture/procurement

Documentation (Contractual)
Archive

KEY PLAN



bam
 BAM Design Ltd
 An operating company of
 BAM Construct UK Ltd
 Architecture
 Interior Design
 3D Visualisation
 Feasibility Studies
 Structural Engineering
 Environmental Services
 Building Information Modelling

Centrium Business Park
 Griffiths Way, St Albans
 Hemel Hempstead, AL1 2RD
 01727 894200
 design@bam.co.uk
 www.bam.co.uk

project COAL DROPS YARD

title Proposed West Elevations -
 East Coal Drop Sheet 01

purpose of issue CONSTRUCTION

scale 1 : 100 @ A1
 date 06/30/16
 site KXC-M2- 001-BD4389-A- 20-309

drawn TM
 checked DGW
 Role Consultant

BAM job no. 4389
 rev. 001

dig. status S4

rev	by	chkd	date	description