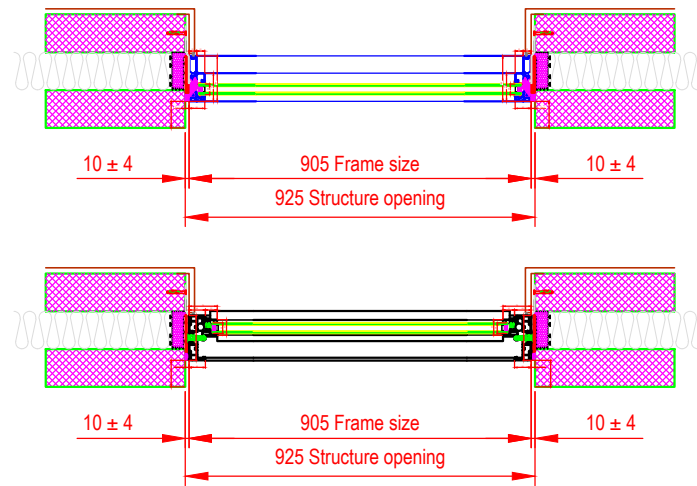
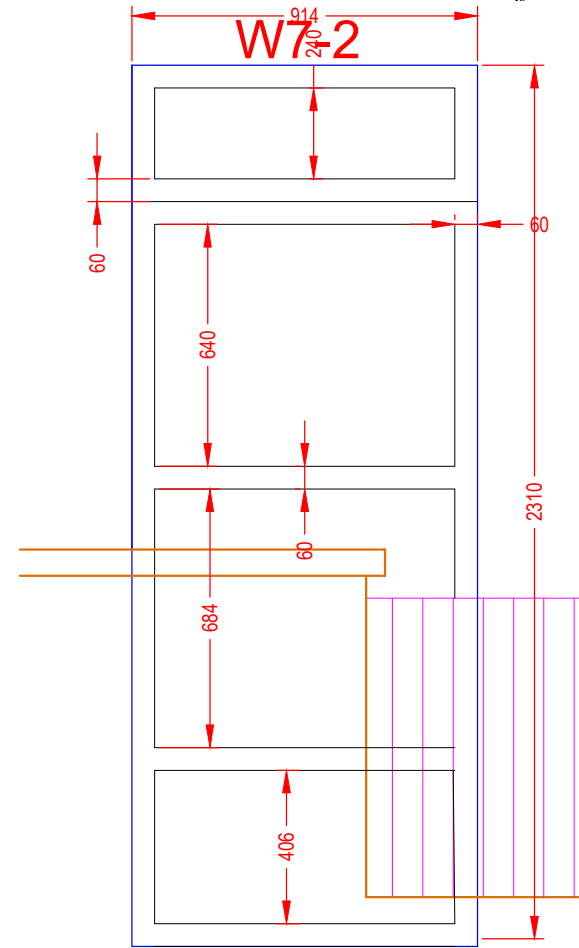
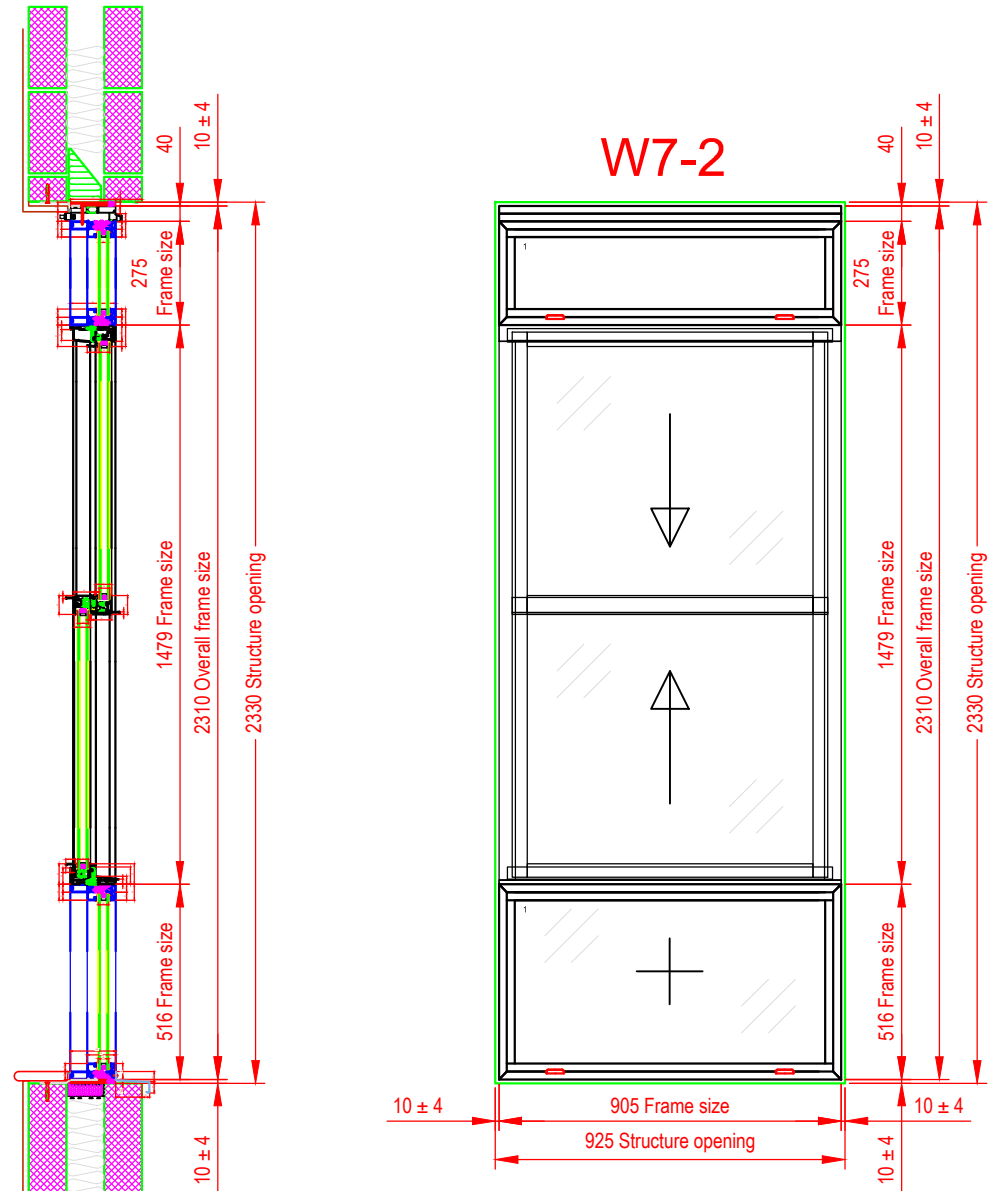


Proposed profile 1:20

Existing profile 1:20



Rev:	Description:	Date:
Title: W7-2 Proposed and Existing		
Kathryn Levitt Design		KATHRYN LEVITT DESIGN LTD Goodwin House, 5 Union court, Richmond London, Surrey TW9 1AA Tel 020 8948 1223 e: ideas@kathrynlevittdesign.com
Client: Thakrar		
Property Site: Flat D, Mount Tyndall, Spaniards Road		
Job No: 1404	Drawing No: W7-2	Revision: -
Drawn by: KL	Date: 06.06.17	Detail Scale: As shown
Status: Design		
<small>Dimensions to be verified on site. Figured dimensions to be taken in preference to those scaled This drawing is the property of Kathryn Levitt Design Ltd. Copyright is reserved by them and the drawing is issued on the condition that it is not copied, reproduced, retained or disclosed to any unauthorised person either wholly or in part without the consent in writing of Kathryn Levitt Design Ltd. Registered in England and Wales No. 4986703 Registered Office 1 Park Road, Hampton Wick, Kingston Upon Thames, Surrey KT1 4AS</small>		