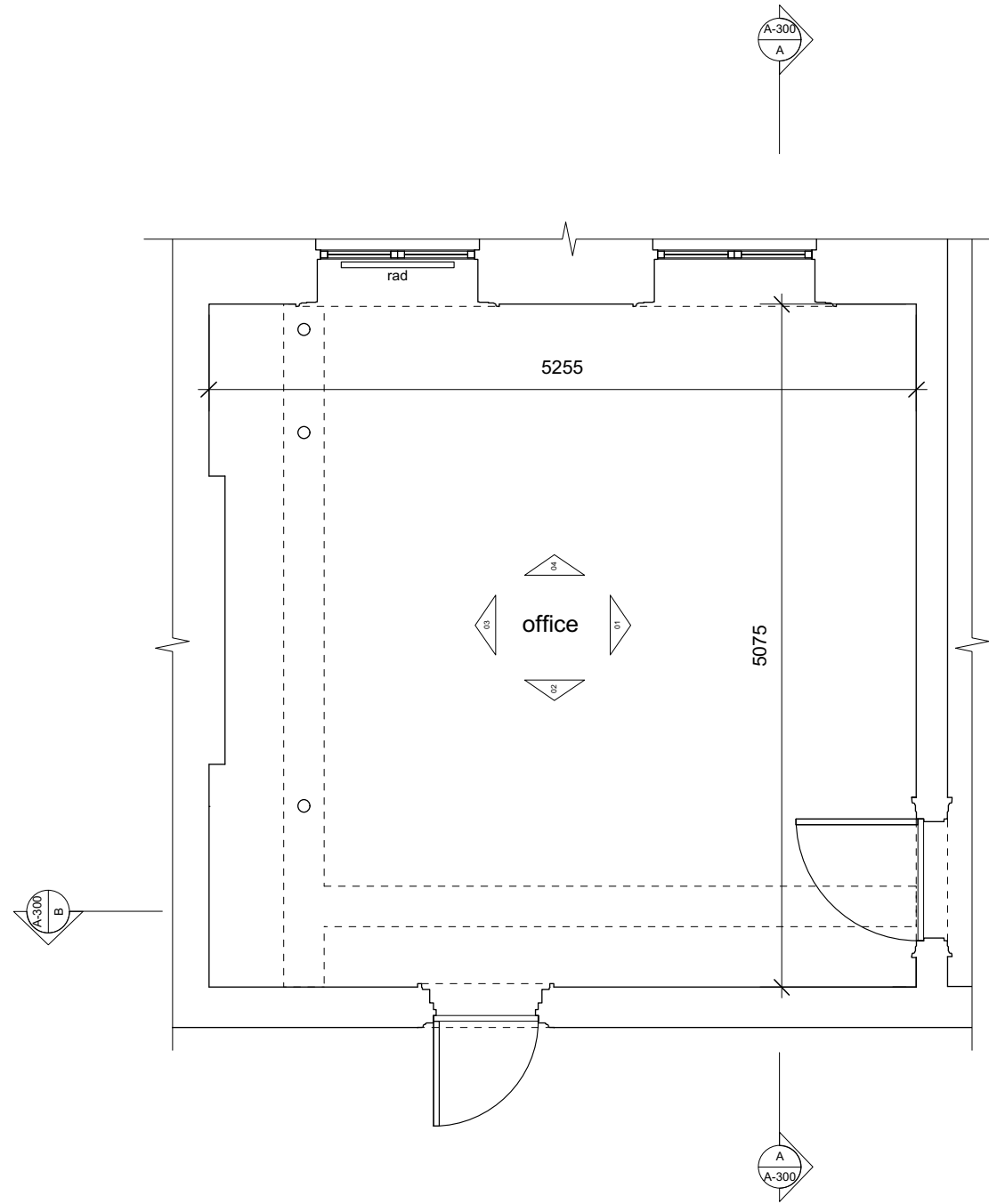
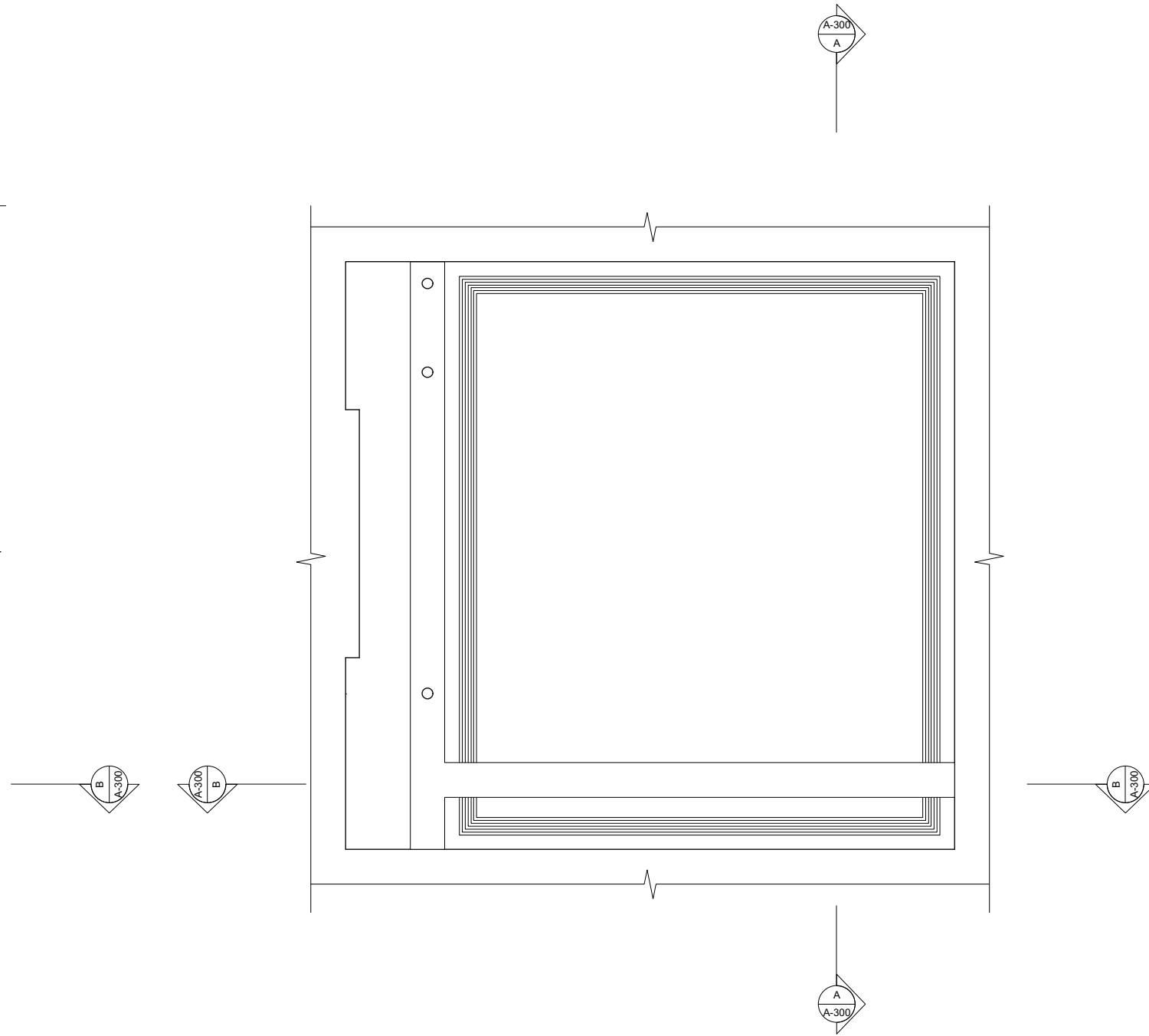


Notes:
 This drawing is the copyright of Spheron Architects (Ltd) and may not be used without their consent.
 Do not scale from these drawings. The contractor is responsible for checking all dimensions before work starts.
 Any discrepancies to be brought to the attention of the Architect immediately.



EXISTING FLOOR PLAN



EXISTING ROOF PLAN



- 15.06.17 MSN SBM Issued for Planning

Revision	Date	Author	Checked	Description
SpheronArchitects Unit 5C, 26-32 Voltaire Road London, SW4 6DH tel: +44 20 7617 7046 e: info@spheronarchitects.co.uk www.spheronarchitects.co.uk				

Client:
Birkbeck College

Project:
**26 Russell Square
 London WC1B 5DT**

Drawing Title:
Existing Plans

Drawing Status:
PLANNING

Drawn By: MSN Scale: 1:50@A3 Date: 09.05.17

Drawing No: **F466-A-26RS-100** Rev: -