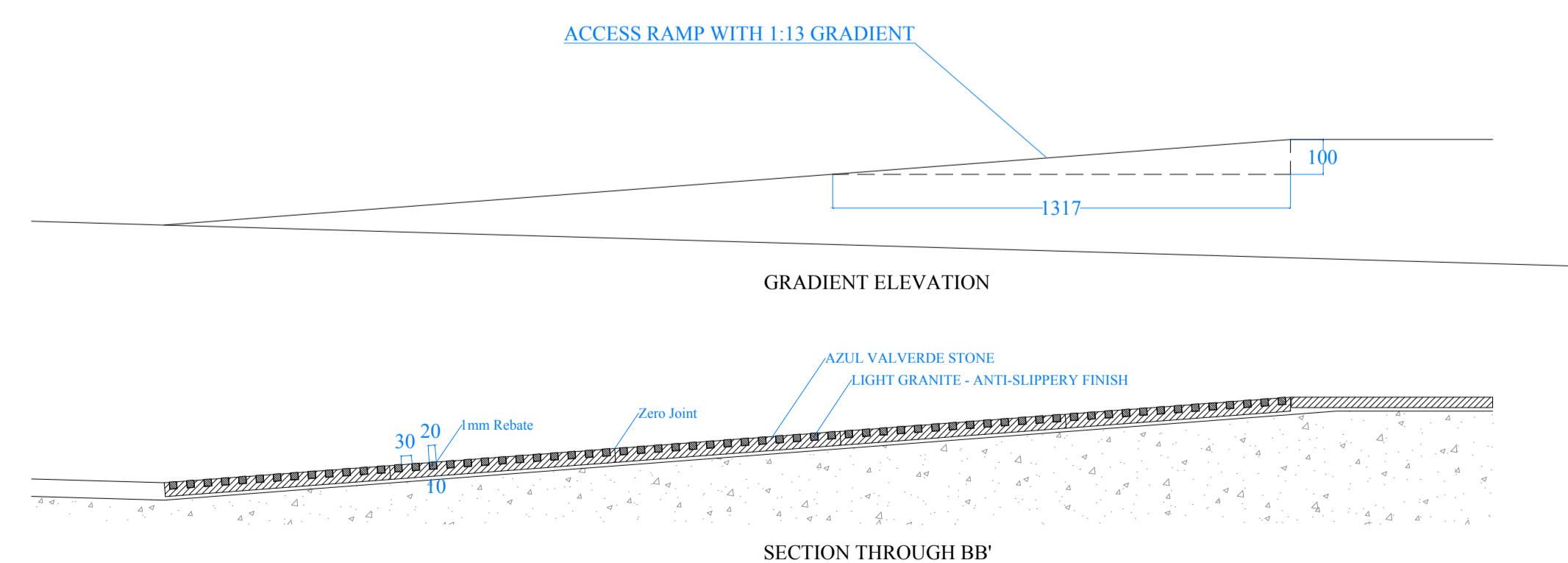
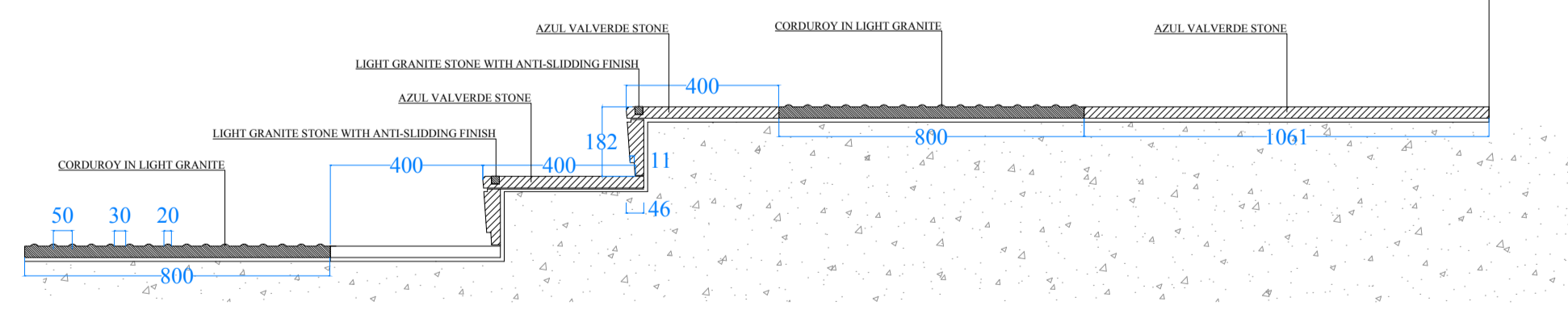


PLAN

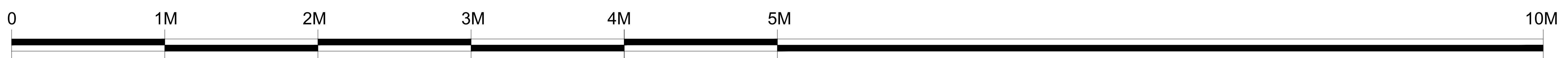


GRADIENT ELEVATION

SECTION THROUGH BB'



SECTION THROUGH AA'



Rev.	Date	Note

Contractor:  
**CHESNEY'S ARCHITECTURAL**  
 521 BATTERSEA PARK ROAD,  
 LONDON, SW11 3BS  
 Telephone: +44 (0) 7978 7224  
 Email: sales@chesneys.co.uk  
 Website: www.chesneys.co.uk

Main Contractor:

Client:

Project Address:

147 HAVERSTOCK HILL SHOWROOM

PROPOSED ENTRANCE STEPS AND RAMP

Drawing Title: CHES GA695- 147 HAVERSTOCK SHOWROOM

Drawn By: C.F.V.C. Martins Scale: 1/16@A1

Drawing Status: For Comment Date of Issue: 24.05.17

Project No.	Drawing No.	Rev.	No.
CHES GA695			03/01