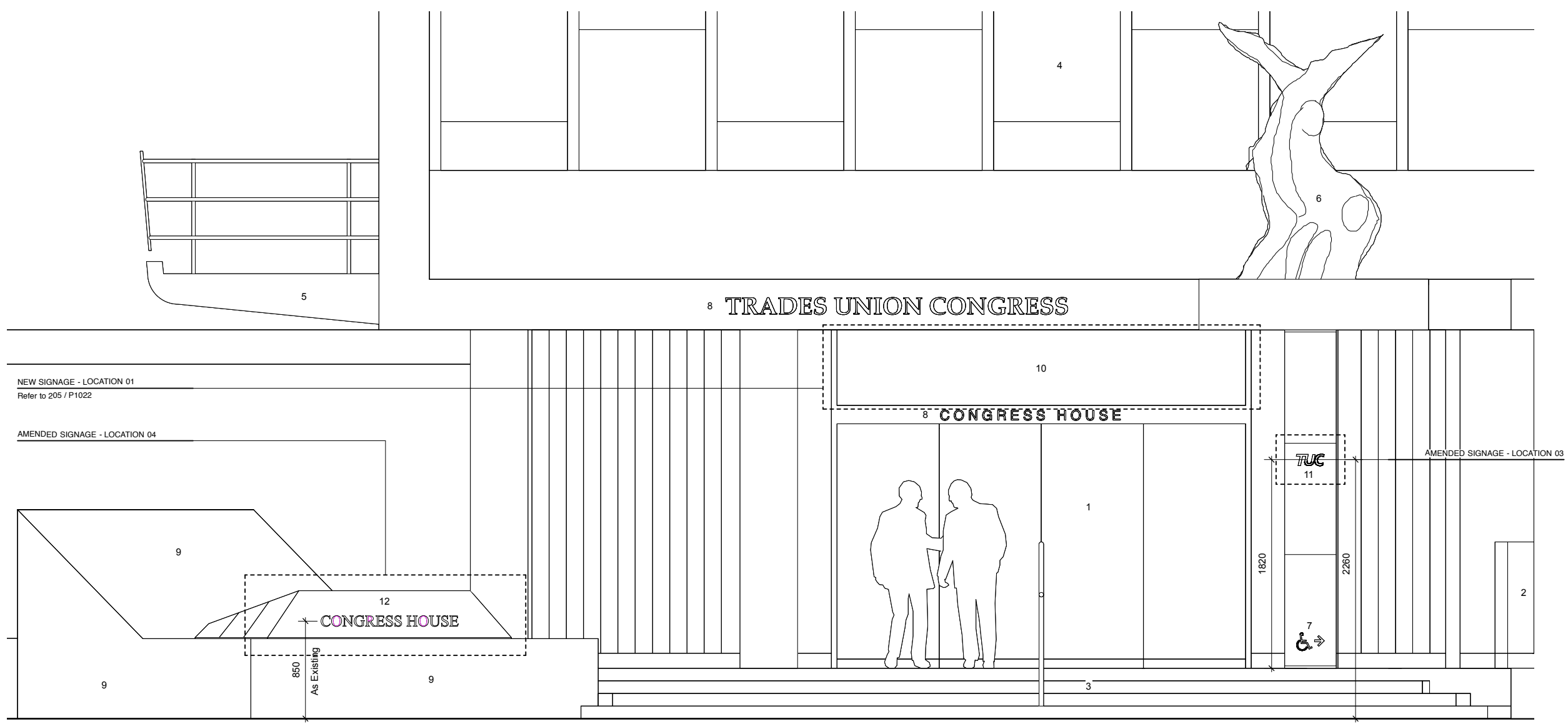
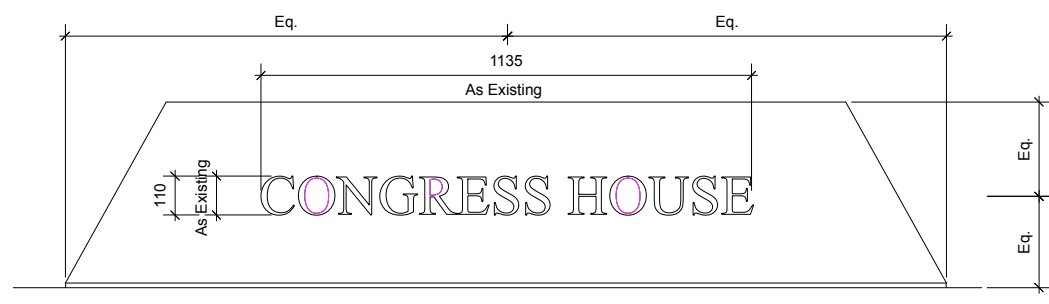


-Do not scale drawings
 -All dimensions are in millimetres unless stated otherwise
 -Use figured dimensions only and report any discrepancies in writing to the architect
 -Refer to specifications annotated on the drawing and the following general specifications:

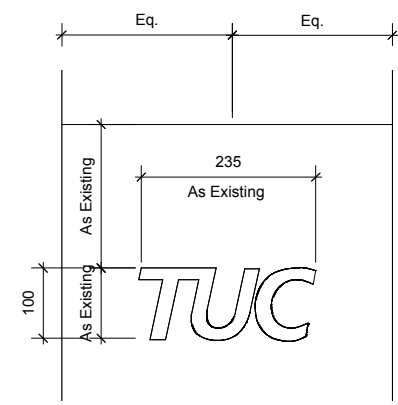
- Specific key and notes**
- 1 Entrance to Main Reception
 - 2 Accessible ramp
 - 3 Yorkstone steps
 - 4 TUC office
 - 5 TUC balcony
 - 6 Bernard Meadows Statue
 - 7 Existing accessible ramp signage
 - 8 Existing signage
 - 9 Existing mosaic plinth
 - 10 New unlit internally film applied signage with new logo
 - 11 Branding logo revised to suit new graphics cut out of patinated brass with painted backing to match existing in appearance, size and construction
 - 12 Congress House Signage revised without TUC logo, cut out of patinated brass with painted backing to match existing in appearance, size and construction



PROPOSED AMENDED SIGNAGE & LOCATION
 MAIN ENTRANCE GREAT RUSSELL STREET
 SCALE 1:20

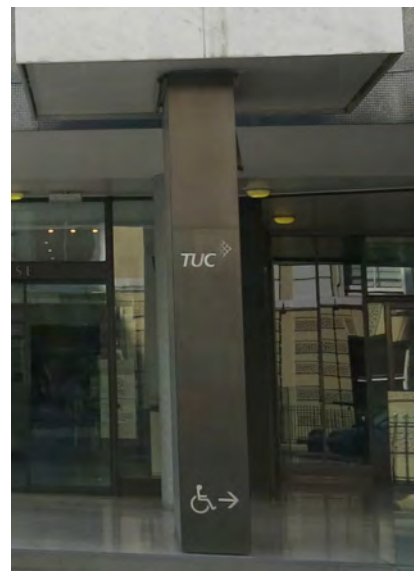
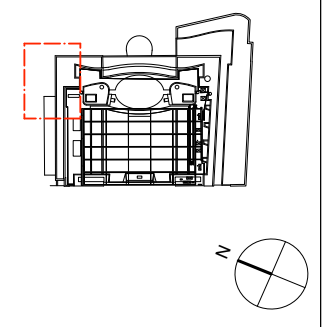


PROPOSED MAIN ENTRANCE PLINTH SIGNAGE
 LOCATION 04
 1:10



PROPOSED MEADOWS STATUE SIGNAGE
 LOCATION 03
 1:10

Key Plan and North Point



EXISTING MEADOWS STATUE SIGNAGE
 LOCATION 03



EXISTING MAIN ENTRANCE PLINTH SIGNAGE
 LOCATION 04

0 1 Listed Building & Advertising Cnst. GP 06/17

TUC Congress House
South Side
 Proposed Signage Location
 Status: Listed Building & Advertising Cnst.
 As descibe (A1)
 June 2017

Draw N° 205 / P1049-RevP1
 Drawn by GP | Authorised by HB | Size A1

HUGHBROUGHTONARCHITECTS
 41a Beaver Lane London W6 9BL
 T 020 8735 9959 F 020 8563 3891 E info@hbarchitects.co.uk
 © Hugh Broughton Architects Ltd