

THIS DRAWING IS TO BE READ IN CONJUNCTION WITH RBD DRAWING NOS. AR2287/P32

NON-MATERIAL AMENDMENT
(APP NO: 2016/2388/P) JUNE 2017

PROJECT
FLAT 4, 1 WOODCHURCH RD
LONDON NW6 3PL

DRAWING TITLE
**PROPOSED WINDOW DETAILS - W7
(TYPE C)**

DATE
10.01.16

DRAWN BY
APW

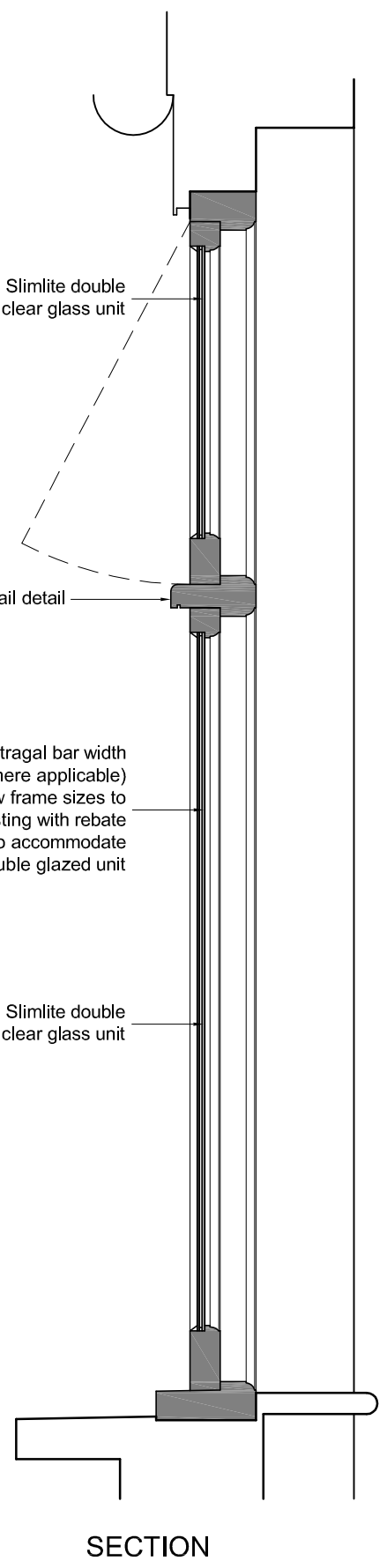
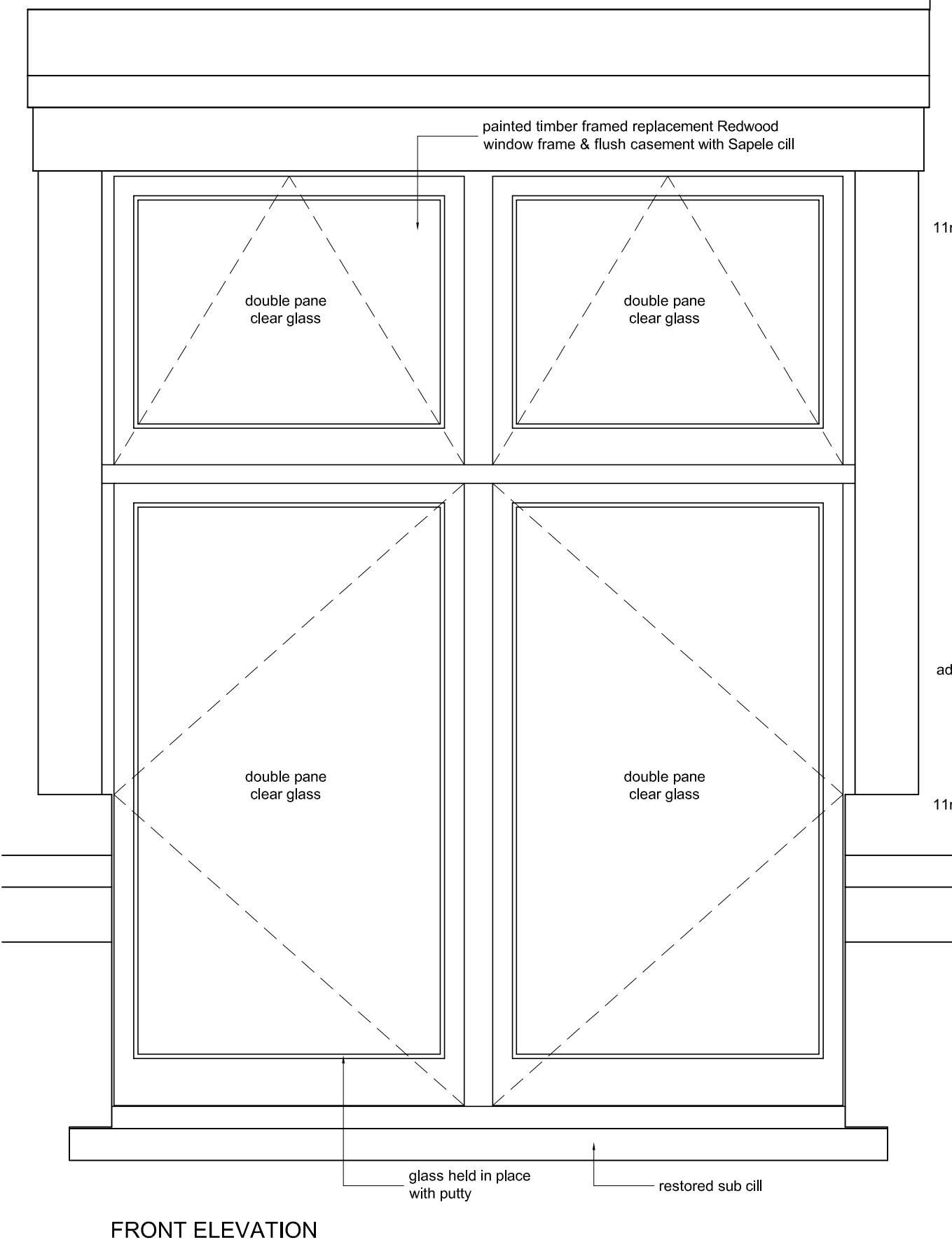
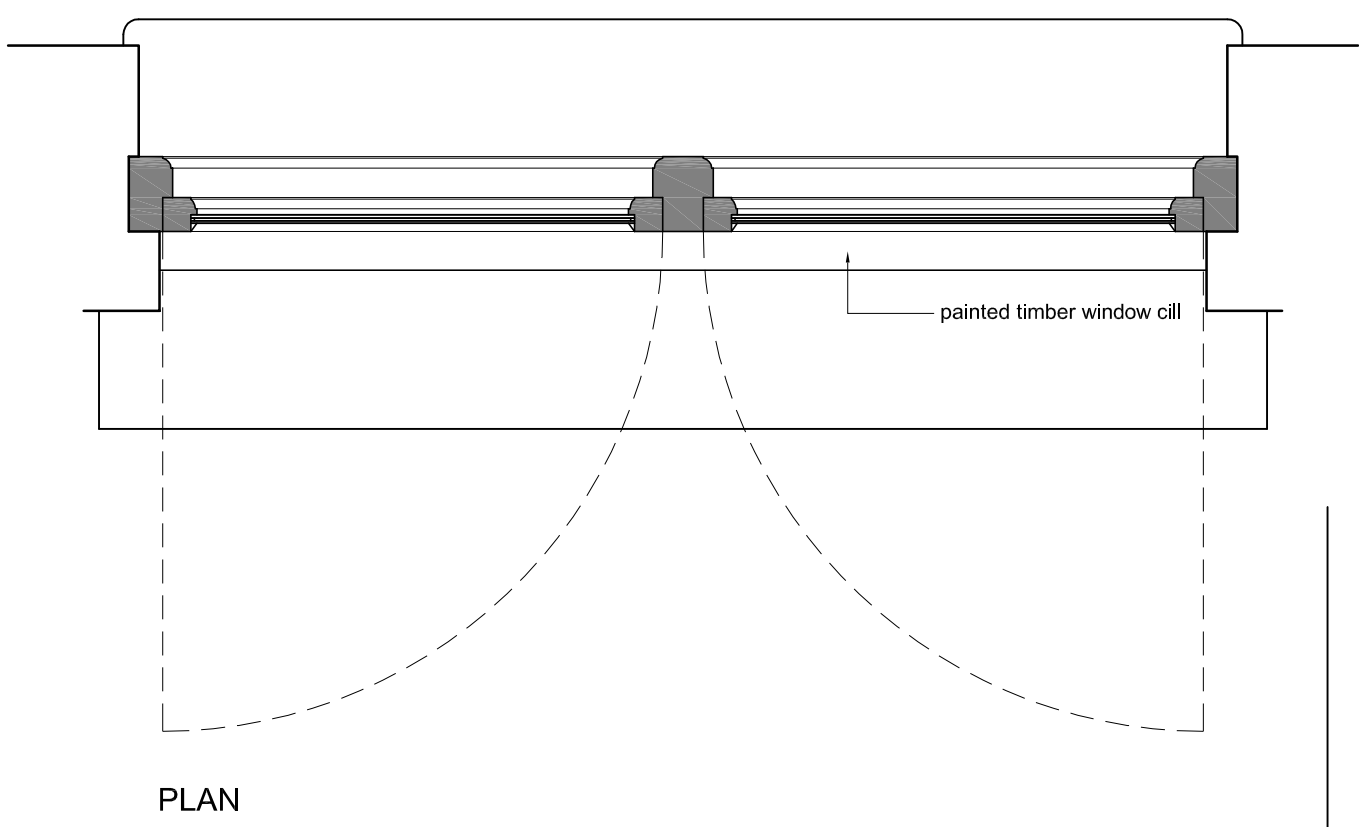
SCALE
1:10

REVISION NOTES
DRAWING NO.
AR2287/P42

REVISION

Notes
All dimensions are to be checked on site. Any discrepancies or omissions must be reported to the Architect immediately. This drawing is the property of Realisation by Design Ltd. Copy/right reserved. All dimensions shown are finished dimensions unless stated otherwise.

ARCHITECTURE & INTERIORS
RD
4 Montpelier Street, London SW7 1EE. Web: www.rbd-design.com
Tel: +44 (0)207 139 7245 Email: office@rbd-design.com



Scale 1:10 @ A3

