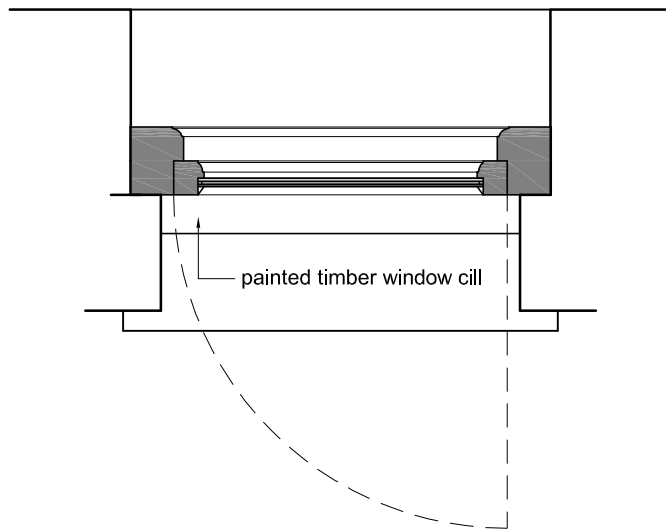
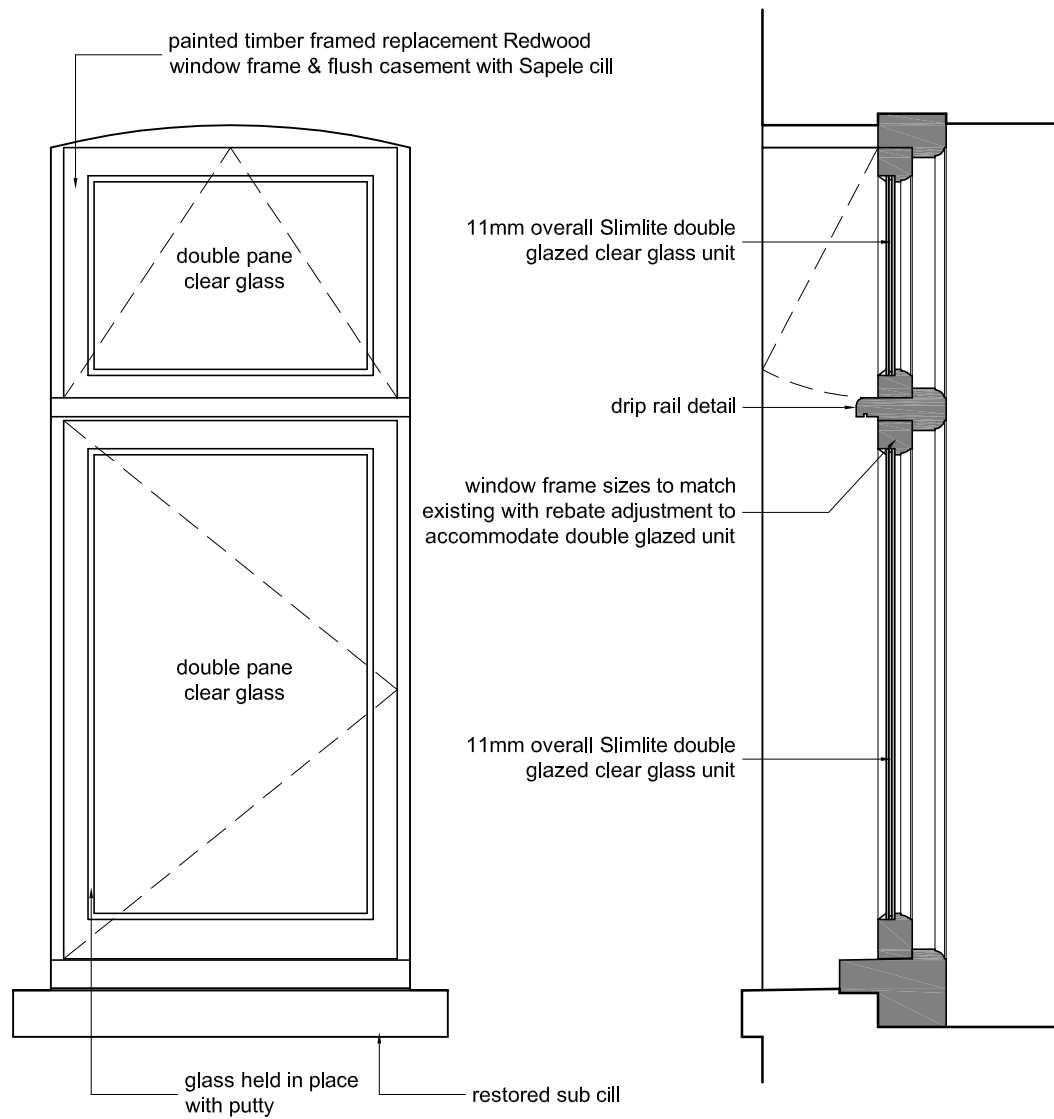


THIS DRAWING IS TO BE READ IN
CONJUNCTION WITH RBD DRAWING
NO. AR2287/P31

NON-MATERIAL AMENDMENT
(APP NO: 2016/2388/P) JUNE 2017



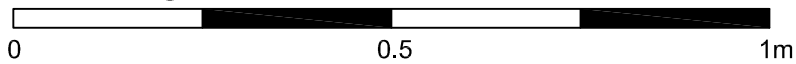
PLAN



FRONT ELEVATION

SECTION

Scale 1:10 @ A3



PROJECT
FLAT 4, 1 WOODCHURCH RD
LONDON NW6 3PL

DRAWING TITLE
PROPOSED WINDOW DETAILS - W4
(TYPE B)

DATE
10.01.16

DRAWN BY
APW

SCALE
1:10

REVISION NOTES

DRAWING NO.
AR2287/P41

REVISION

Notes
All dimensions are to be checked on site. Any discrepancies or omissions must be reported to the Architect immediately. This drawing is the property of Realisation by Design Ltd. Copyright reserved. All dimensions shown are finished dimensions unless stated otherwise.

ARCHITECTURE & INTERIORS
RD
4 Montpelier Street, London SW7 1EE. Web: www.rbd-design.com
Tel: +44 (0)207 193 7245 Email: office@rbd-design.com