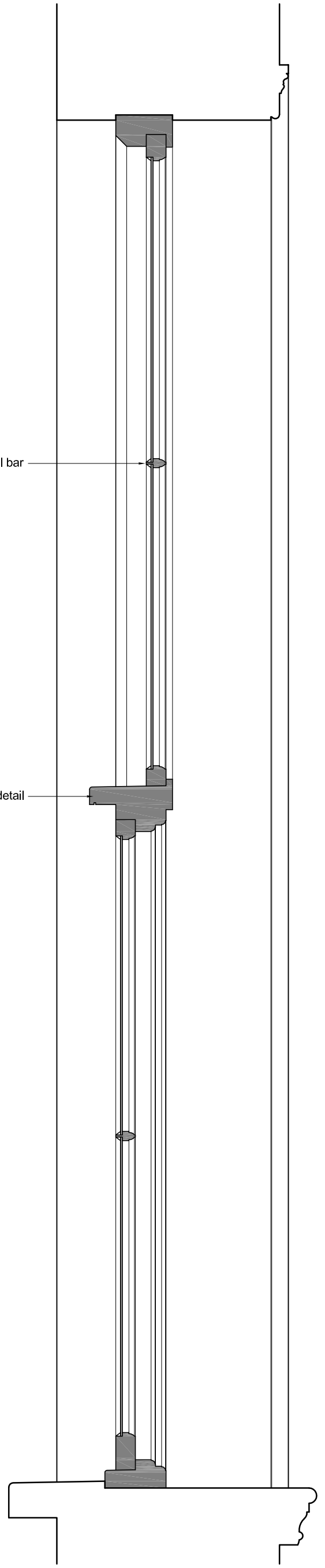


THIS DRAWING IS TO BE READ IN CONJUNCTION WITH RBD DRAWING NOS. AR2287/P44

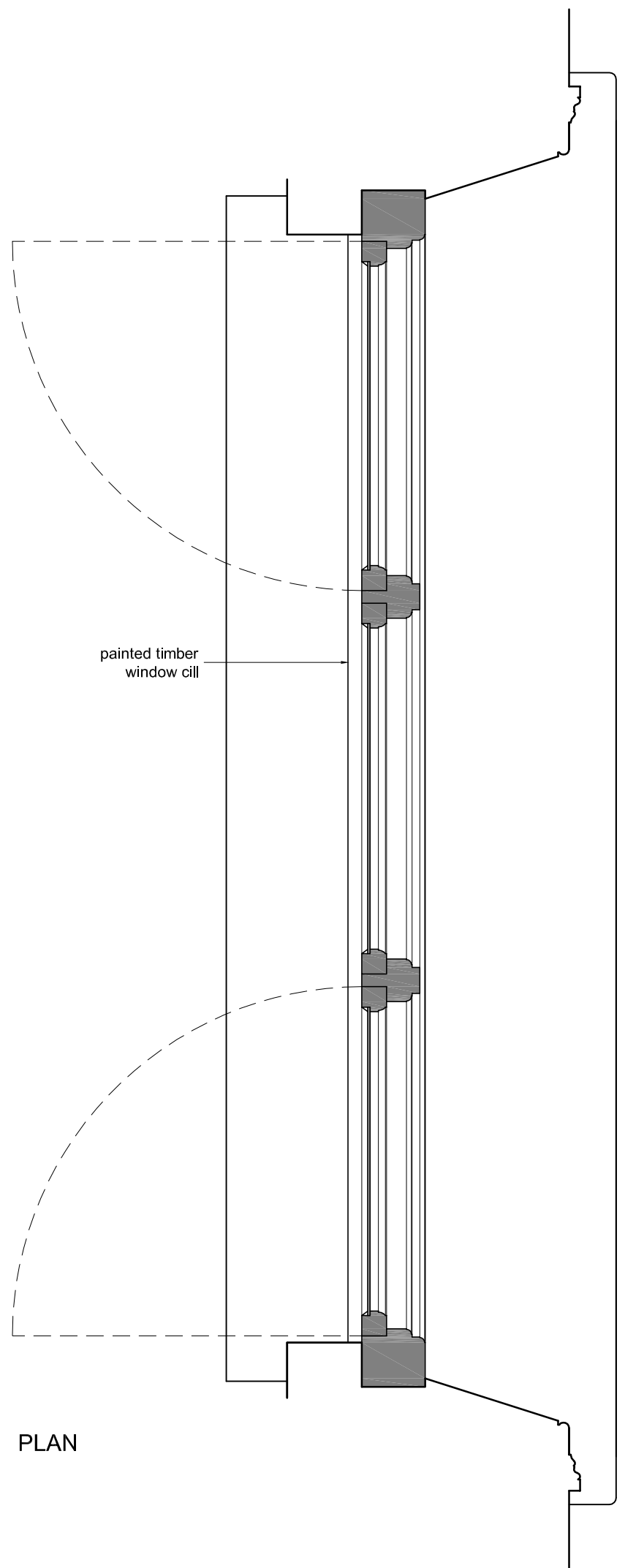
NON-MATERIAL AMENDMENT
(APP NO: 2016/2388/P) JUNE 2017



astragal bar

drip rail detail

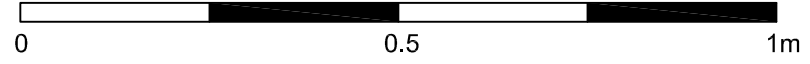
SECTION



painted timber window cill

PLAN

Scale 1:10 @ A3



PROJECT FLAT 4, 1 WOODCHURCH RD LONDON NW6 3PL		DRAWING TITLE EXISTING WINDOW DETAILS - W10 (TYPE D) SHEET 2 OF 2		REVISION NOTES AR2287/P34		Notes All dimensions are to be checked on site. Any discrepancies or omissions must be reported to the Architect immediately. This drawing is the property of Realisation by Design Ltd. Copyright reserved. All dimensions shown are finished dimensions unless stated otherwise.	
DATE 10.01.16	DRAWN BY APW	SCALE 1:10	REVISION			ARCHITECTURE & INTERIORS 4 Montpelier Street, London SW7 1EE. Web: www.rbd-design.com Tel: +44 (0)207 193 7245 Email: office@rbd-design.com	