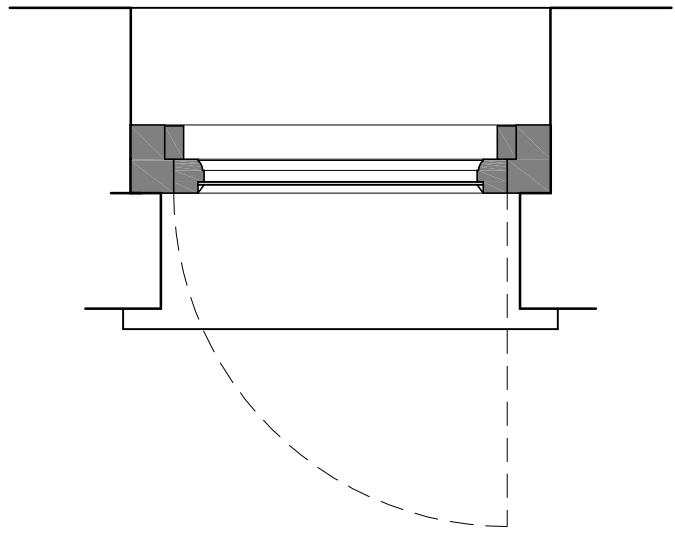
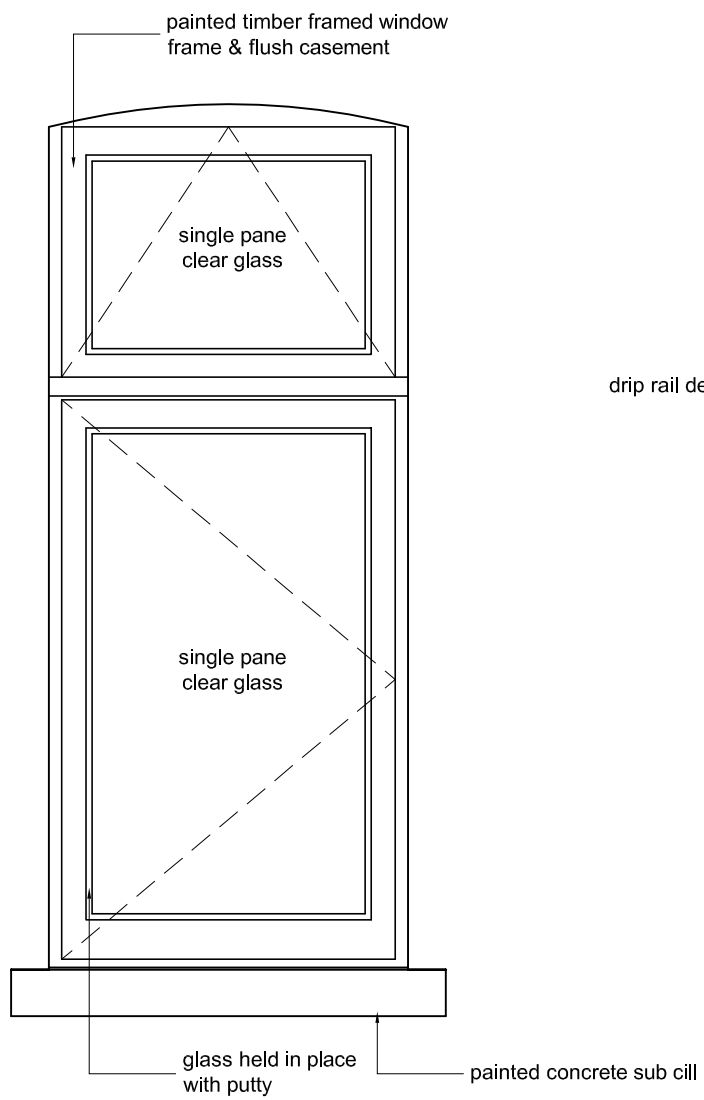


THIS DRAWING IS TO BE READ IN
CONJUNCTION WITH RBD DRAWING
NO. AR2287/P41

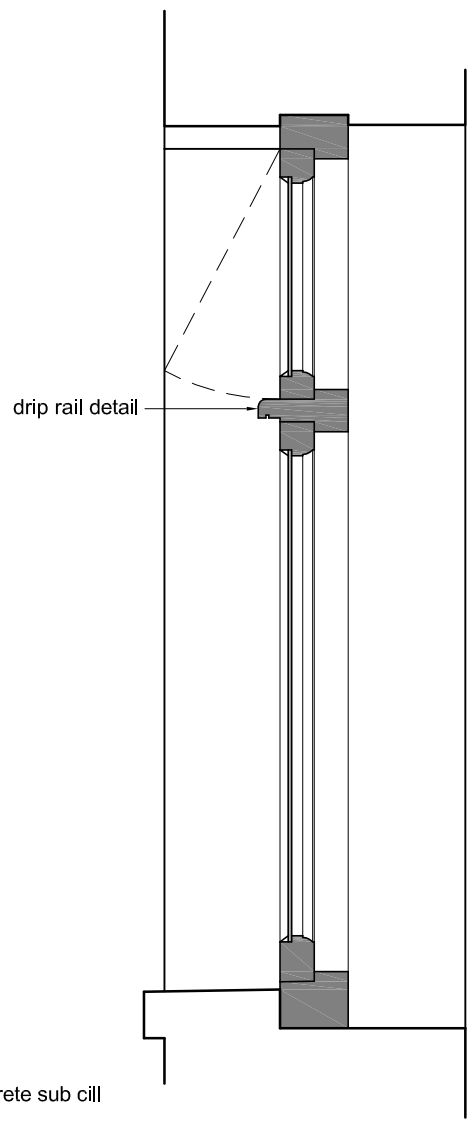
NON-MATERIAL AMENDMENT
(APP NO: 2016/2388/P) JUNE 2017



PLAN

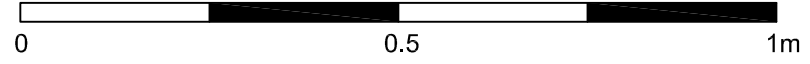


FRONT ELEVATION



SECTION

Scale 1:10 @ A3



PROJECT
FLAT 4, 1 WOODCHURCH RD
LONDON NW6 3PL

DRAWING TITLE
EXISTING WINDOW DETAILS - W4
(TYPE B)

DATE
10.01.16

DRAWN BY
APW

SCALE
1:10

REVISION NO.
AR2287/P31

REVISION
-

REVISION NOTES

Notes
All dimensions are to be checked on site. Any discrepancies or omissions must be reported to the Architect immediately. This drawing is the property of Realisation by Design Ltd. Copy/right reserved. All dimensions shown are finished dimensions unless stated otherwise.

ARCHITECTURE & INTERIORS
4 Montpelier Street, London SW7 1EE. Web: www.rbd-design.com
Tel: +44 (0)207 193 7245 Email: office@rbd-design.com