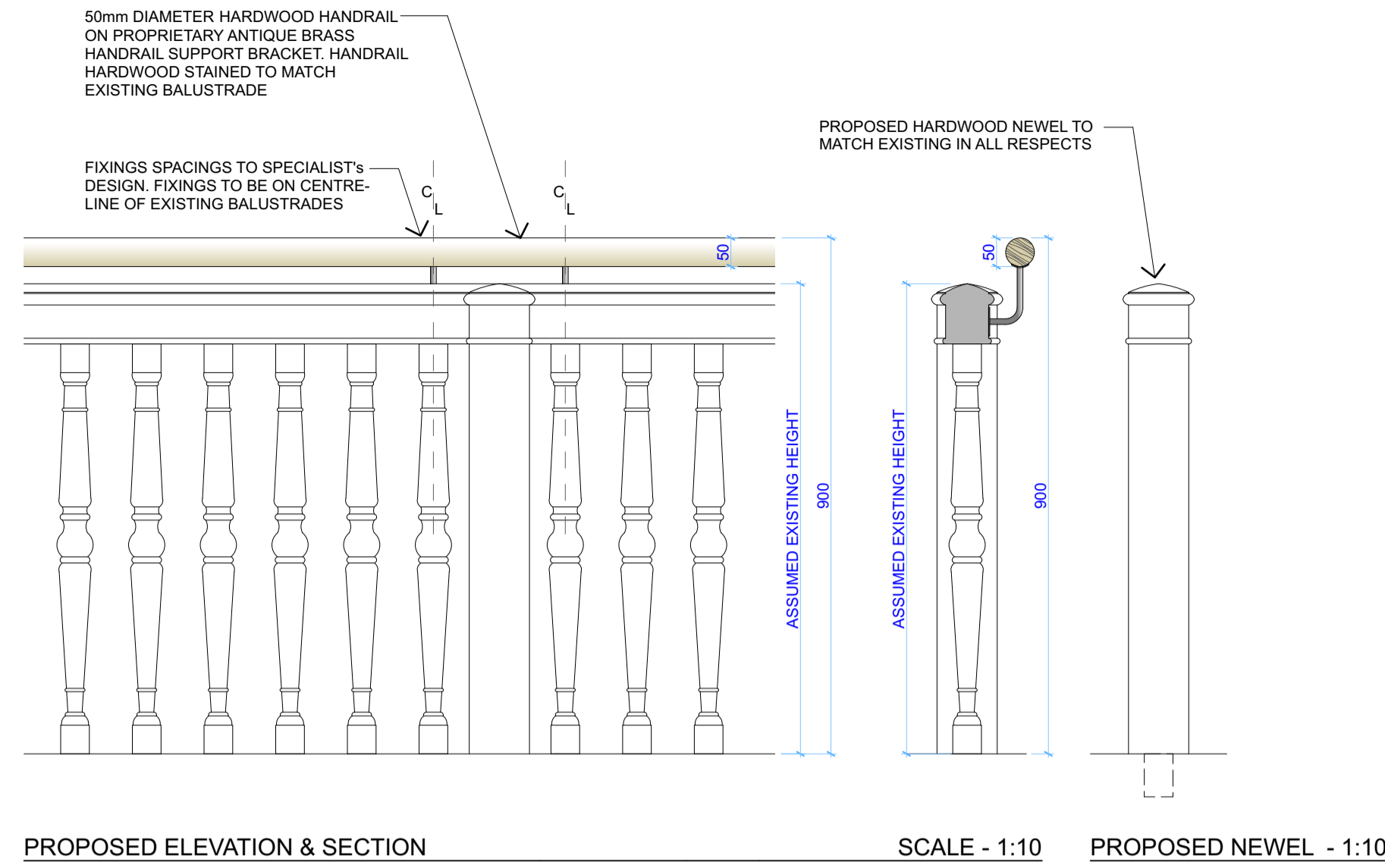


MEZZANINE NEWEL POST LOCATION AND TREATMENT

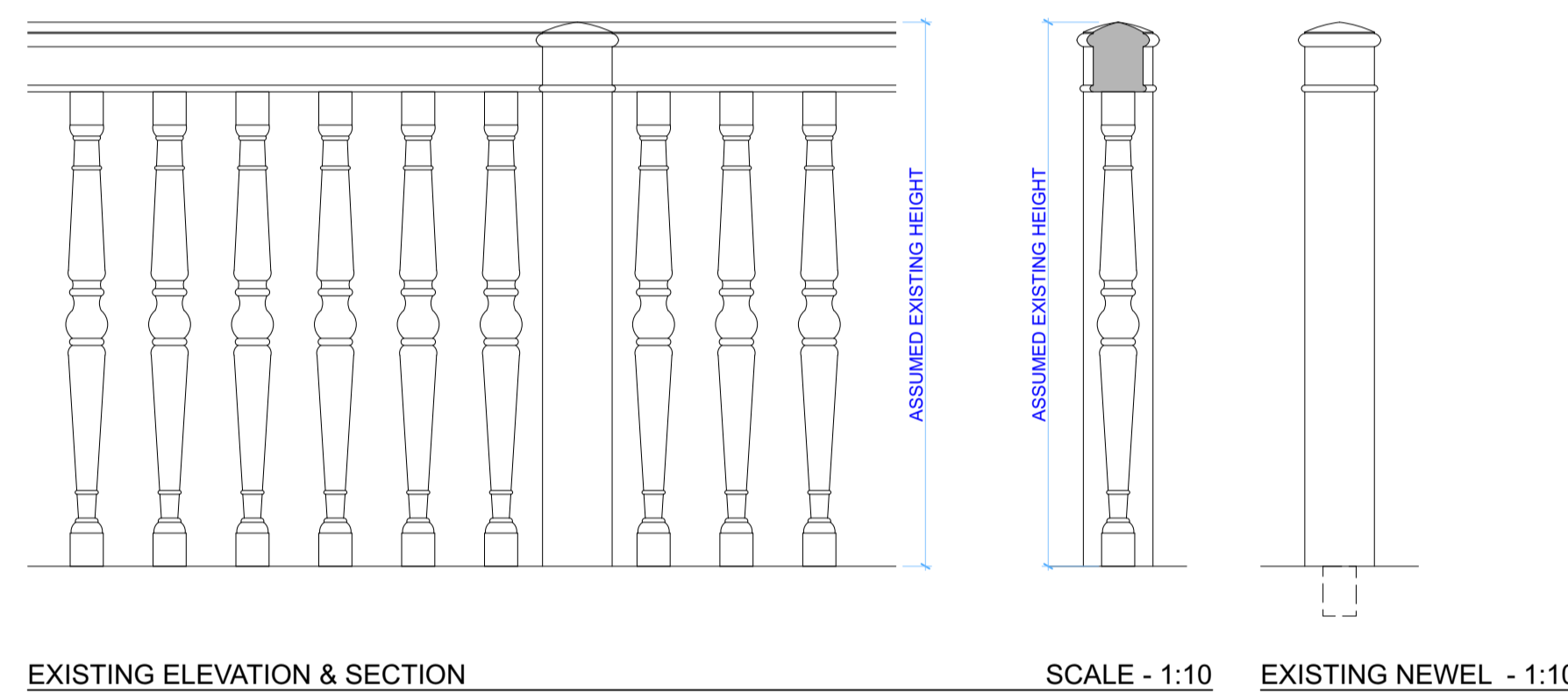
SCALE - NTS



PROPOSED ELEVATION & SECTION

SCALE - 1:10

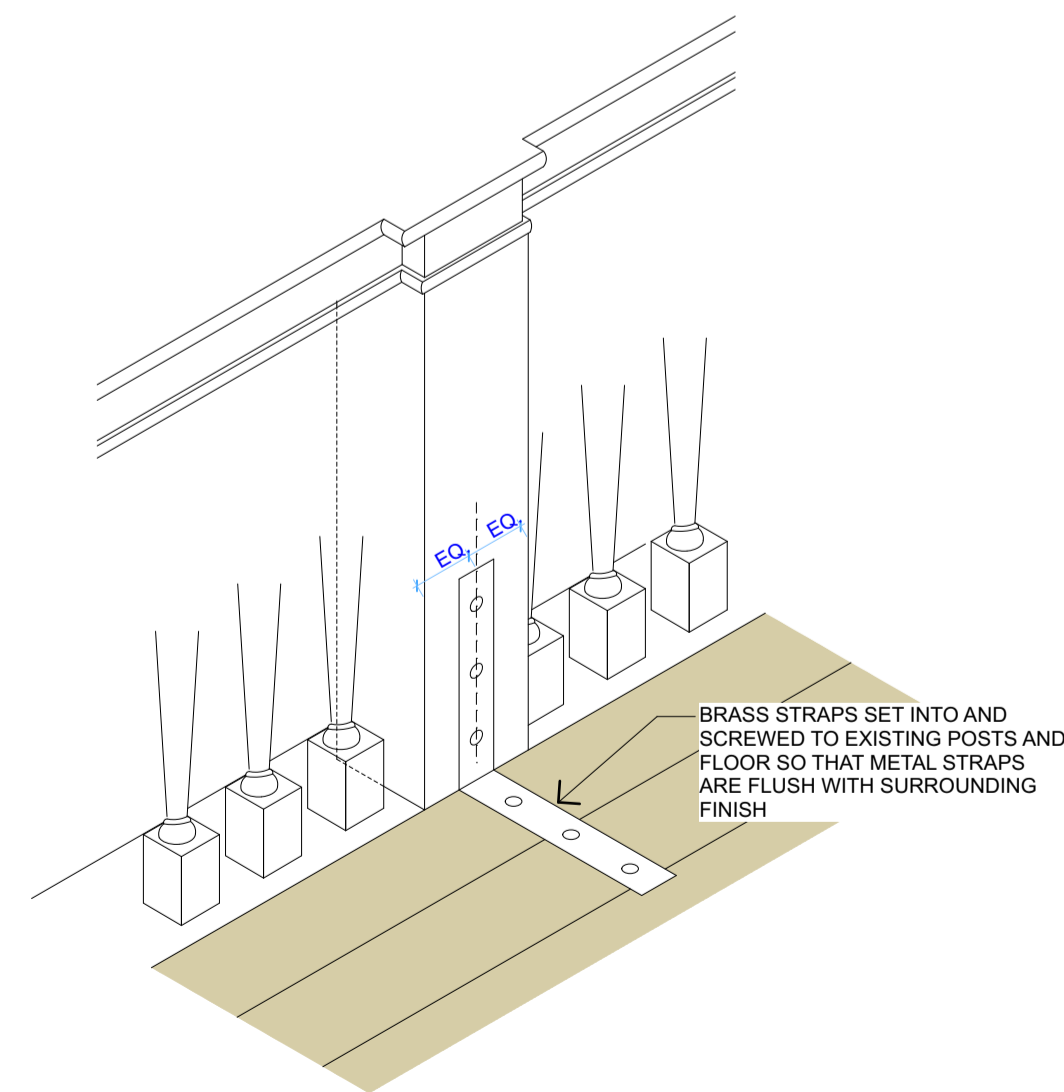
PROPOSED NEWEL - 1:10



EXISTING ELEVATION & SECTION

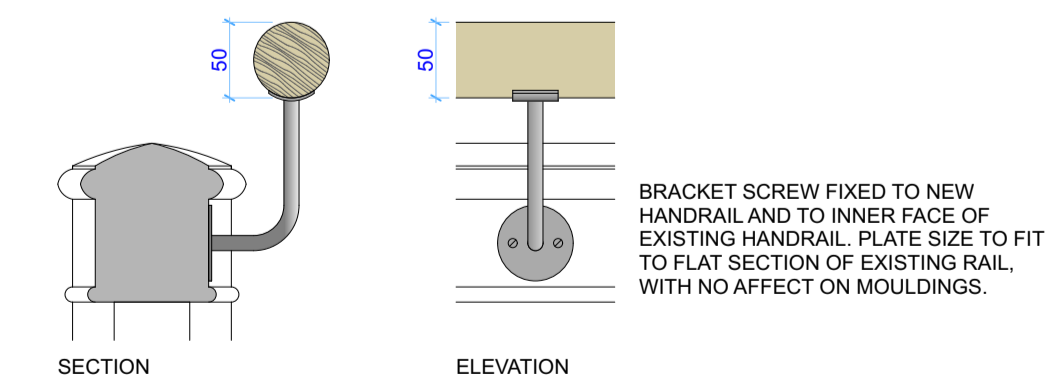
SCALE - 1:10

EXISTING NEWEL - 1:10



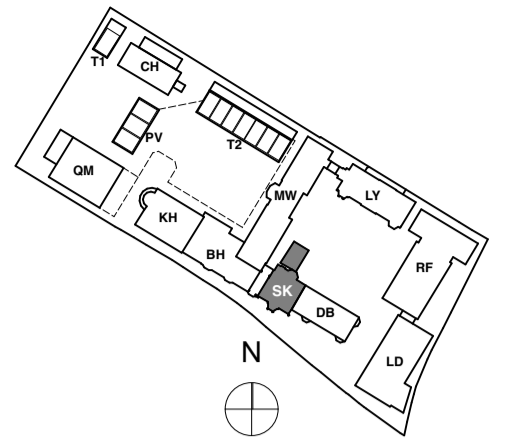
NEWEL POST STRENGTHENING

SCALE - NTS



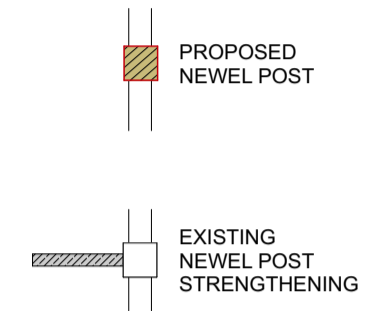
PROPOSED RAIL DETAIL

SCALE - 1:5



NOTE:
 ALL INFORMATION SHOWN ON THIS DRAWING IS SUBJECT TO DESIGN DEVELOPMENT BY SPECIALIST

LEGEND:



FOR TENDER

Revision	DRN	CHKD	DATE
T1 Issued for Tender	NV	KC	10/03/2017
T2 Notes and Details Amended	NV	KC	06/06/2017



CLIENT
 MOUNT ANVIL LTD



PROJECT
 KIDDERPORE AVENUE

DRAWING
 Skeel Library
 Library Balustrade Strengthening

SCALE 1:30, 1:25, 1:10, 1:5 @ A1 DATE 06/06/2017

DRAWING No. 15 230
 9000-DRG-08SK- DE008
 DRAWN BY NV
 REV T2

A & Q PARTNERSHIP (LONDON) LTD
 THE LUX BUILDING, 2-4 HOXTON SQUARE, LONDON N1 6 NU
 Tel: 020 7613 2244 Fax: 020 7613 2642 Email: london@aqp.co.uk
 ARCHITECTURE DESIGN MASTERPLANNING INTERIORS