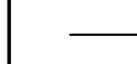



Third Floor Plan as Existing  
1 : 50

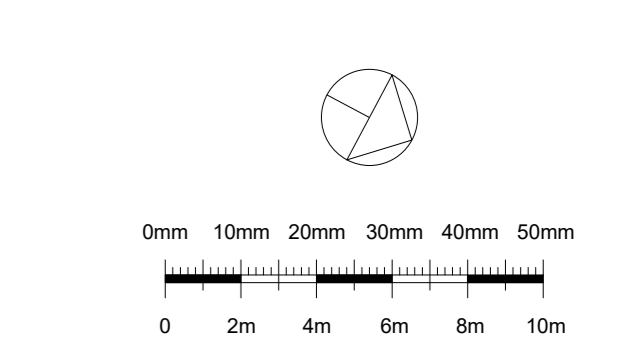
Issue:

**PLANNING**

Key:

-  Existing
-  Boundary Line

EXISTING FLOOR PLAN LAYOUTS ARE INDICATIVE



No scaled dimensions to be taken from this drawings. All dimensions to be site checked.

Revisions			
Rev.	Description	Drawn by.	Date

**CG ARCHITECTS**  
 221 East Barnet Road, Barnet, Herts EN4 8QS  
 Tel: 020 8449 5100 Fax: 020 8449 5170 ©

Client  
Metrus

Site  
21A John Street  
London WC1N 2BG

Scale: 1 : 50@ A0 Drawn: SH  
 Date: May 2017 Checked:CG

Drawing Title  
Third Floor Plan as Existing

Drg No 1113/16 REV