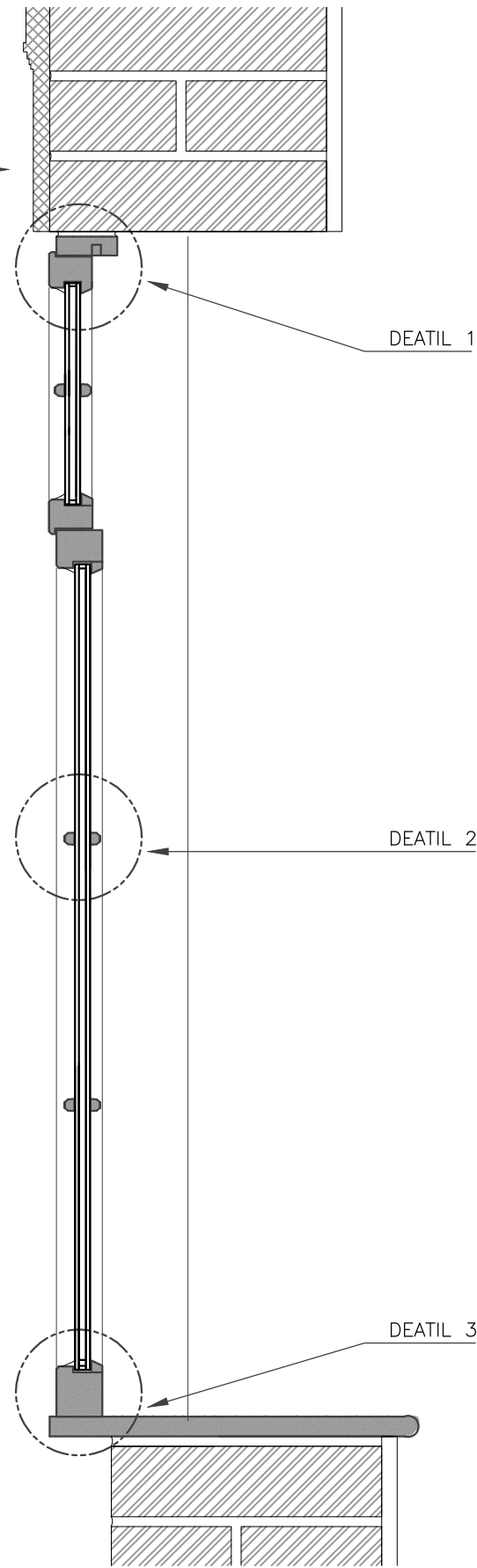
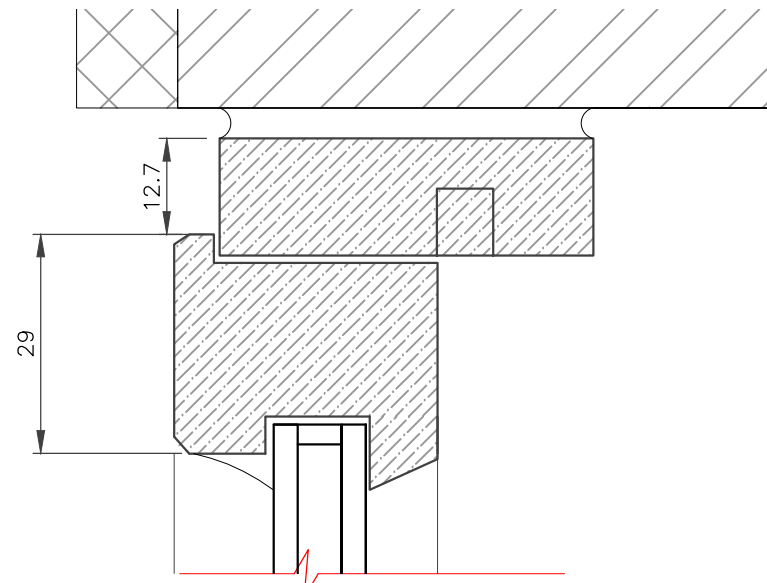


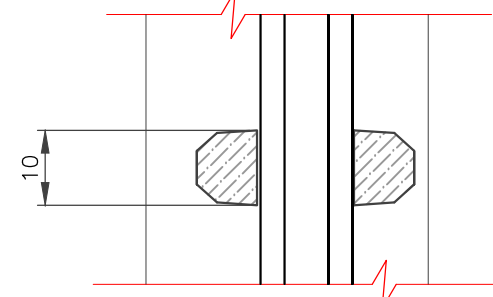
TIMBER ARCHITRAVE  
(RETAINED)



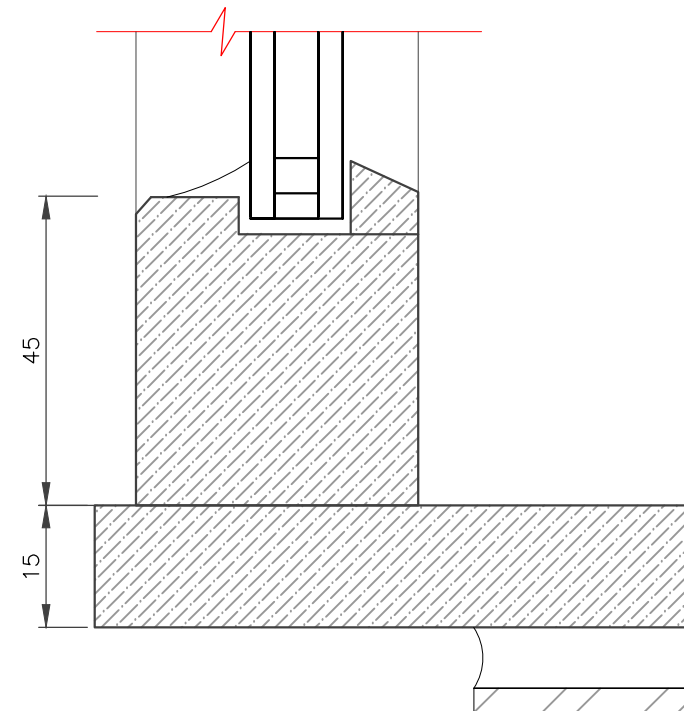
00 PROPOSED WINDOWS (TYPICAL)  
NTS



01 TYPICAL HEAD DETAIL  
NTS



02 TYPICAL GLAZING BAR DETAIL  
NTS



03 TYPICAL CILL DETAIL  
NTS

Notes  
CONTRACTOR MUST VERIFY ALL  
DIMENSIONS ON SITE BEFORE  
COMMENCING WORK OR  
PREPARING WORKSHOP DRAWINGS.  
ARCHITECT TO BE NOTIFIED OF  
ANY DISCREPANCIES IN  
DIMENSIONS.

Project  
38 CREDITON HILL, NW6 1HR

Rev	Description	Date	App'd
01	ISSUED FOR PLANNING	04-04-17	HA

**ATUM DESIGN LAB.**

Unit 11, 3 Cottage Road, Islington, London, N7 8TP  
www.atumdesignlab.com studio@atumdesignlab.com

Drawing title

WINDOW DETAILS  
PROPOSED DETAILS

Date generated  
November 14th 2016

Designed

Approved

H.A.

Project number  
3109

Drawing number  
09

Revision  
01

Status  
PLANNING

