

This drawing is the Copyright of CTIL and must not be reissued, loaned or copied without written consent. Use written dimensions only. Do not scale. Use the current revision of all referenced information.

NOTES

Summary information only. Refer to manufacturers (Alifabs) drawings and procedure documents for details.

A meter enclosure is used to house the incoming REC supply and meter, plus switch fuse isolator and other distribution and protection switch gear to supply onsite equipment in enclosures.

Power supply: 100A single phase preferred, (three phase option available at extra cost)
Pre-fitted with MCB's for connection to enclosures.

Meter enclosure can be fixed to an in ground root or wall mounted. Concrete base sealed with bitumastic inside the enclosure. Mastic seal to be applied to the edge of the enclosure. Holding down bolts are supplied in a kit bag with enclosures for installation by contractor.

Optional HASP + Staple locking mechanism available.

Weight (Populated) = 34Kg

Root weight = 5Kg

Colour, Fir green RAL6009

Alternative colours and anti-graffiti coatings available at extra cost.

The standard Slimline electrical solution shall accommodate combinations in part made up of the following:

1 x 100A, 300mA TD RCCB device. Doepke, Schneider or Hager to terminate incoming AC supply.

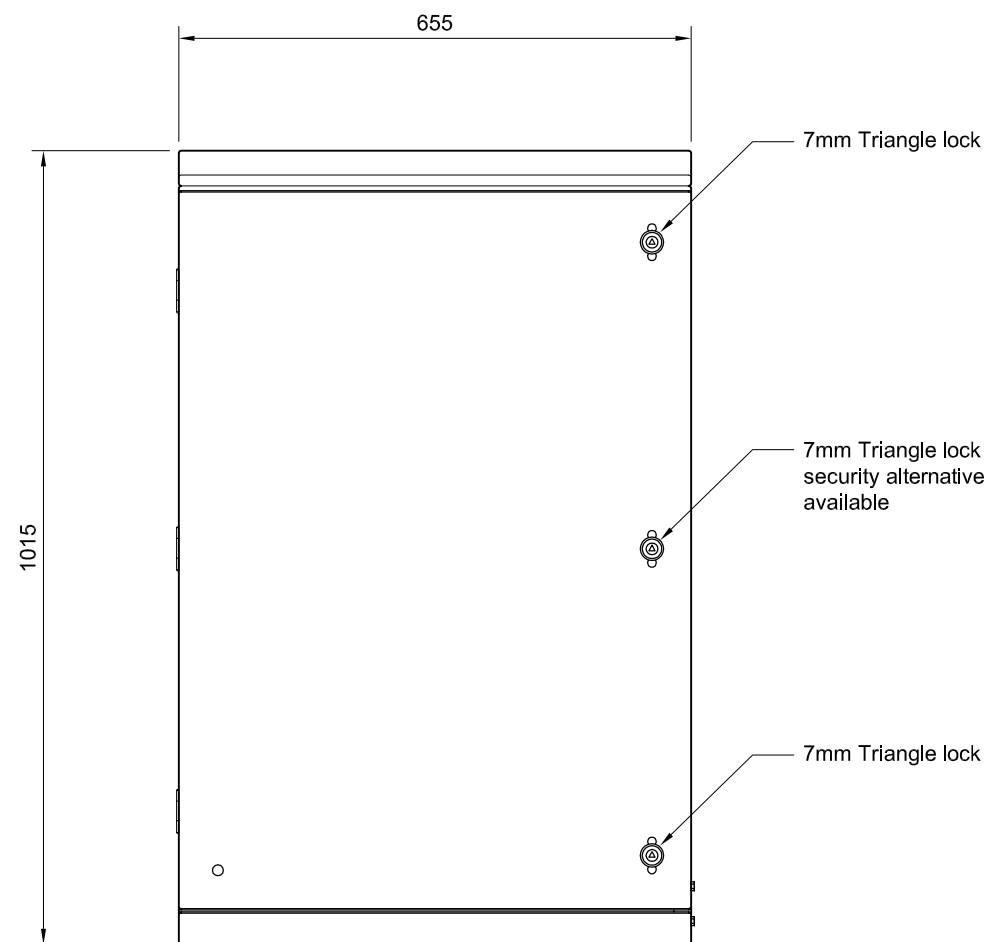
2 x MCB 'C' Rated 50Amp
2 x MCB 'C' Rated 40Amp
2 x MCB 'C' Rated 32Amp

Additional MCB items which shall be supplied:

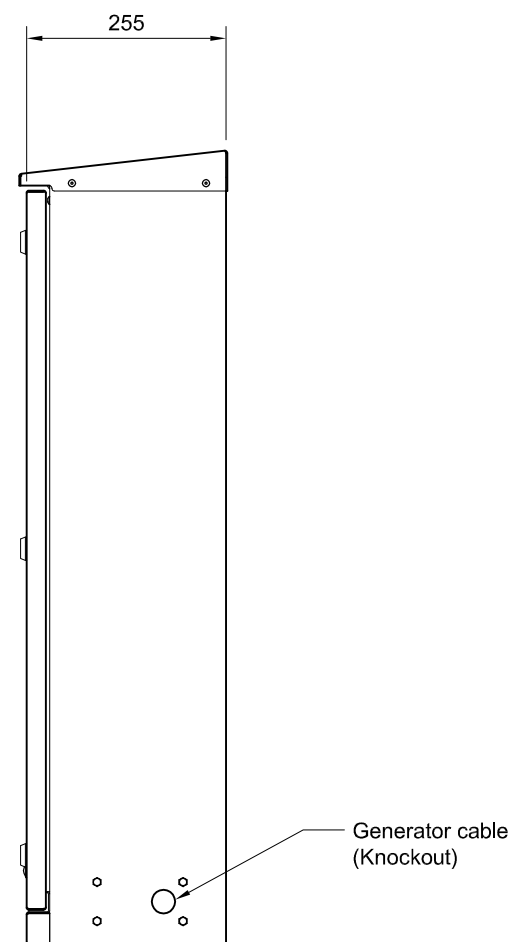
2 x MCB 'C' Rated 63Amp
1 x MCB 'C' Rated 16Amp

These additional items shall be enclosed in plastic bag, of which shall be secured to the backboard by a Screw or Staple fixing.

B	06.11.2013	Minor note amendments	PM
A	10.05.2010	Initial Issue	DMS
REV	DATE	DESCRIPTION	DWN

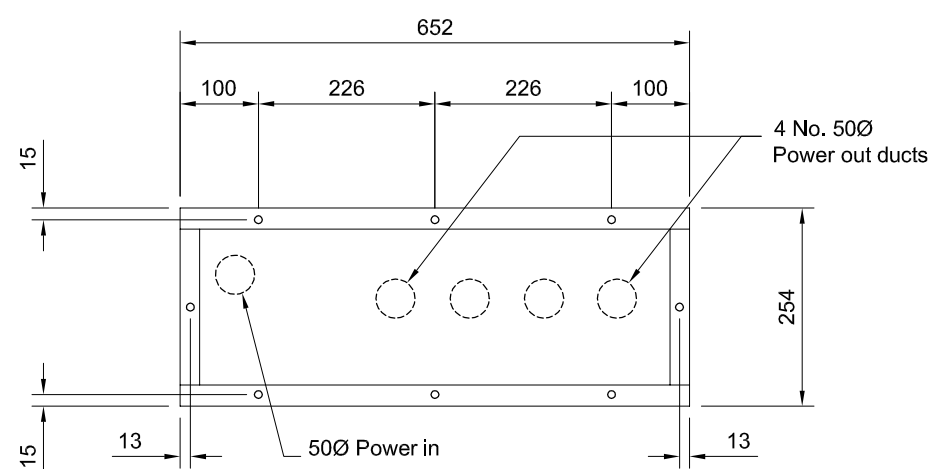


FRONT ELEVATION



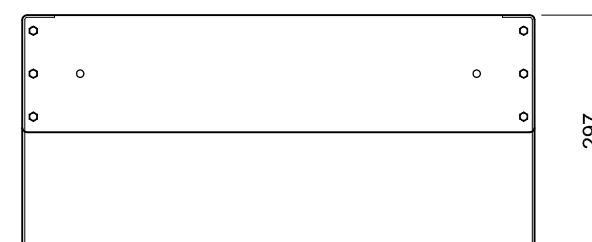
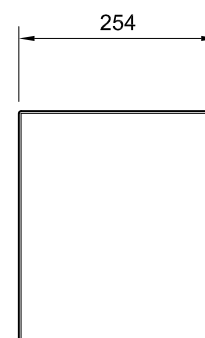
SIDE ELEVATION

(Left)



PLAN VIEW

(Duct positions)



OPTIONAL ROOT

SLIMLINE ENCLOSURE SHALL BE USED WHEN THE STANDARD PILLAR ELECTRICAL CABINET CAN NOT ACCOMODATE THE REQUIRED ELECTRICAL SOLUTION.



DRAWN:	CHECKED:	DATE:
DMS	JEL	10.05.2010

TITLE:	SCALE:
SLIMLINE METER ENCLOSURE GA	1:10@A3

DRAWING No:	REV:
SDD2013	B