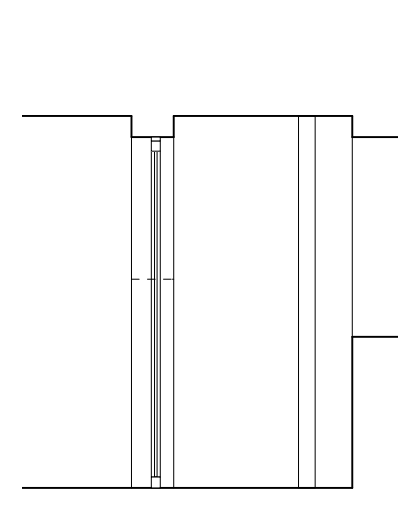


FLAT 20 - PROPOSED SECTION A-A
1:50 @ A3



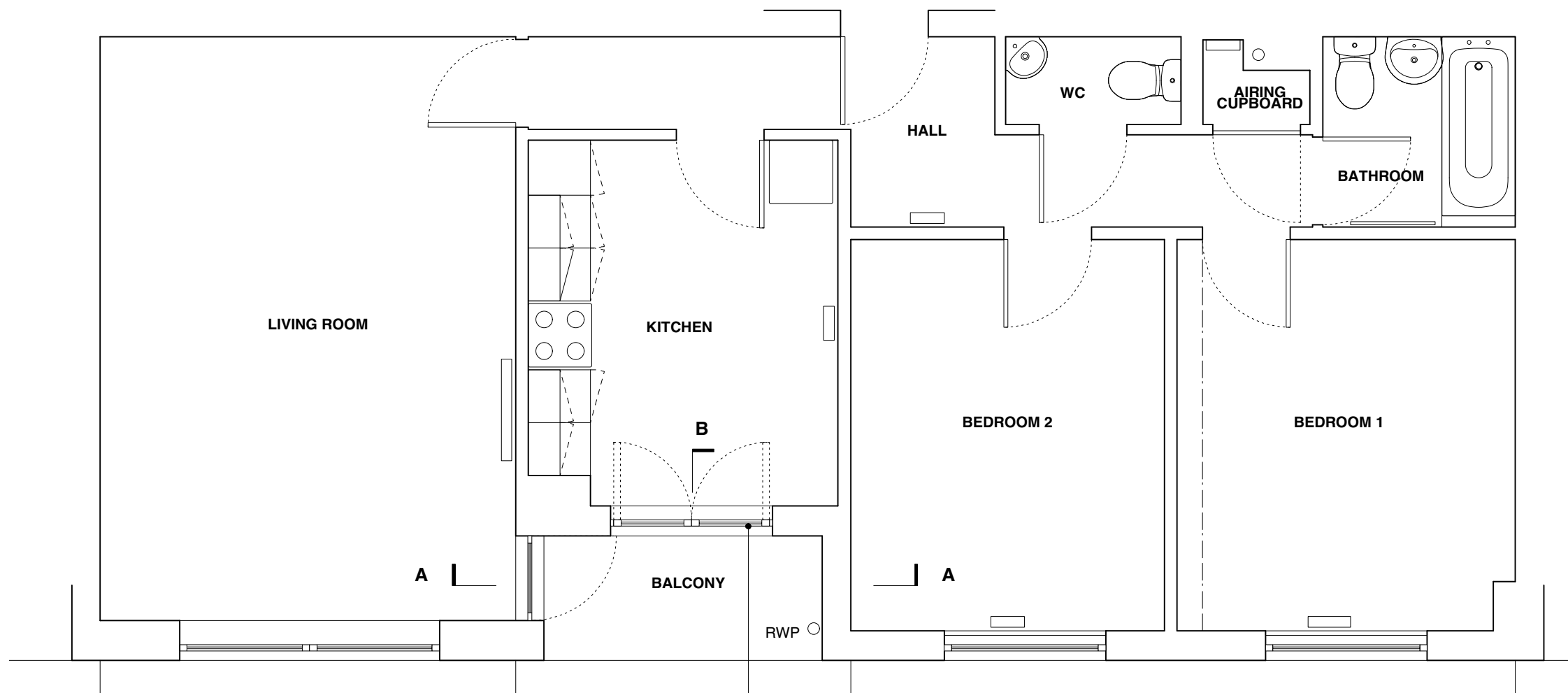
FLAT 20 - PROPOSED SECTION B-B
1:50 @ A3

MOORHOUSE
ARCHITECTURE + DESIGN

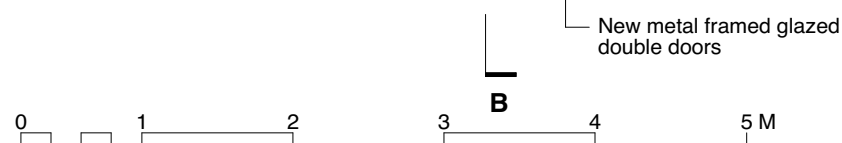
FLAT E 33-35 NETHERWOOD ROAD
LONDON W14 0BL
07765 407 856
MOORHOUSEDESIGN@ICLOUD.COM

- Do not scale from this drawing.
- This drawing is copyright.
- All dimensions to be verified on site.
- Report omissions and discrepancies to the architect.
- All dimensions in millimetres unless stated otherwise.

REVISIONS



FLAT 20 - PROPOSED PLAN
1:50 @ A3



PROJECT
FLATS 6 & 20
SALCOMBE LODGE
LISSENDEN GARDENS
LONDON
NW5 1LZ

DRAWN	CHECKED
MM	-

SCALE	DATE
1:50@A3	25.05.2017

DRAWING TITLE
**PROPOSED PLANS
& SECTIONS - FLAT 20**

STATUS
PLANNING

DRAWING NO	REV
M006 - GA - 003	-