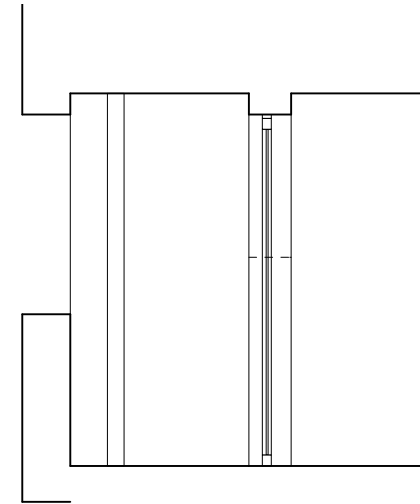


FLAT 6 - PROPOSED SECTION A-A
1:50 @ A3



FLAT 6 - PROPOSED SECTION B-B
1:50 @ A3

MOORHOUSE
ARCHITECTURE + DESIGN

FLAT E 33-35 NETHERWOOD ROAD
LONDON W14 0BL
07765 407 856
MOORHOUSEDESIGN@ICLOUD.COM

- Do not scale from this drawing.
- This drawing is copyright.
- All dimensions to be verified on site.
- Report omissions and discrepancies to the architect.
- All dimensions in millimetres unless stated otherwise.

REVISIONS

PROJECT

FLATS 6 & 20
SALCOMBE LODGE
LISSENDEN GARDENS
LONDON
NW5 1LZ

DRAWN

MM

CHECKED

-

SCALE

1:50@A3

DATE

25.05.2017

DRAWING TITLE

PROPOSED PLANS
& SECTIONS - FLAT 6

STATUS

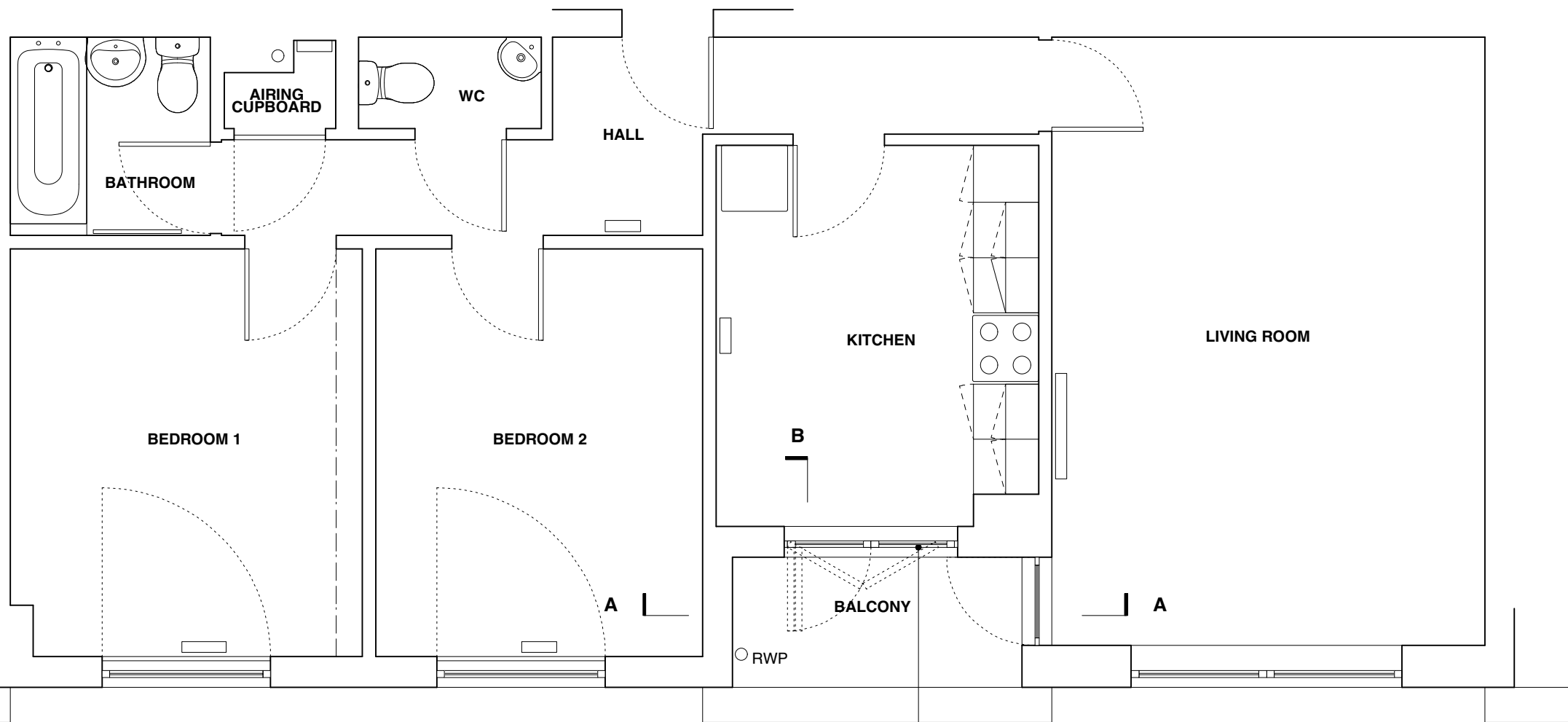
PLANNING

DRAWING NO

M006 - GA - 002

REV

-



FLAT 6 - PROPOSED PLAN
1:50 @ A3



New metal framed
bi-folding glazed doors