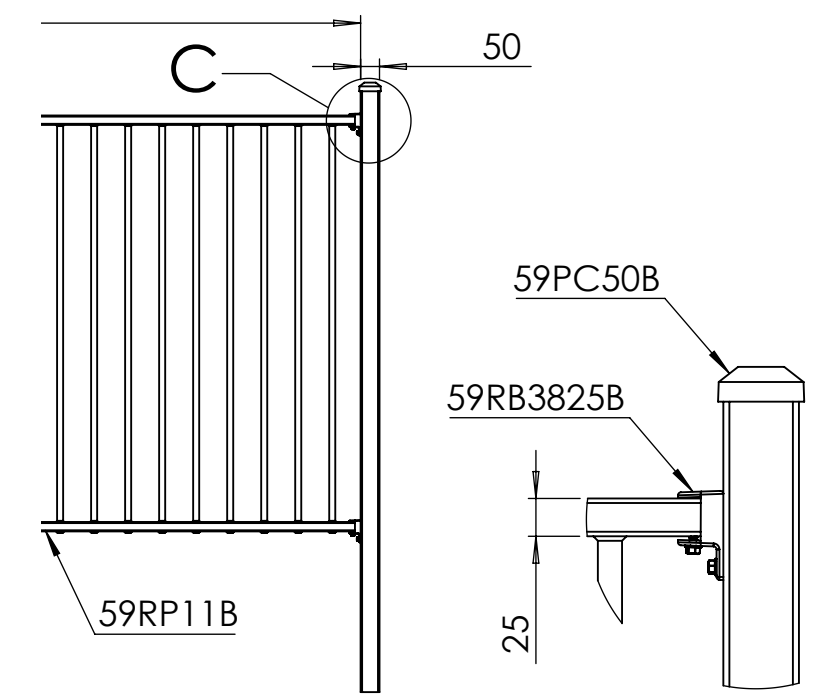



**DETAIL A**  
SCALE 1 : 5



**DETAIL C**  
SCALE 1 : 5

		<b>FH BRUNDLE</b> Tel: 01708 253545 Email: sales@brundle.com Web: www.fhbrundle.co.uk		NOTES: Customer Information Drawing	
		MATERIAL: Aluminum 6063-T5		DESCRIPTION: Aluminum Gate, Panels, Posts & Fittings Assembled	
FINISH: Painted Black		PART NO: N/A		DWG NO: 0006-005-104	
GRIT SIZE: N/A		UNLESS OTHERWISE SPECIFIED ALL DIMENSIONS ARE IN MILLIMETERS		<b>A3</b>	
DRAWN REV. BY	NAME DATE REVISION	MATERIAL: Aluminum 6063-T5	FINISH: Painted Black	GRIT SIZE: N/A	SCALE:1:20 DO NOT SCALE DRAWING SHEET 1 OF 1