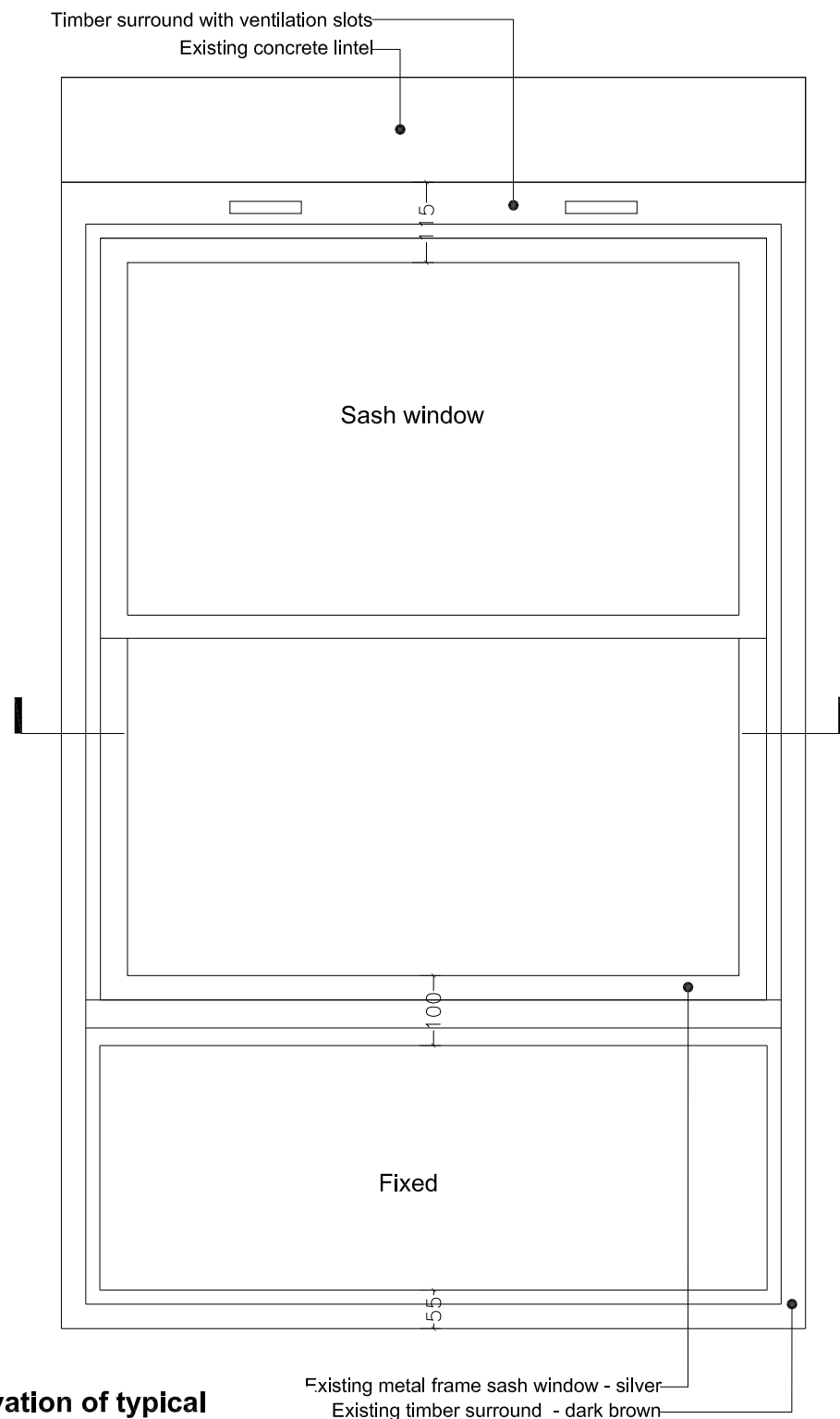
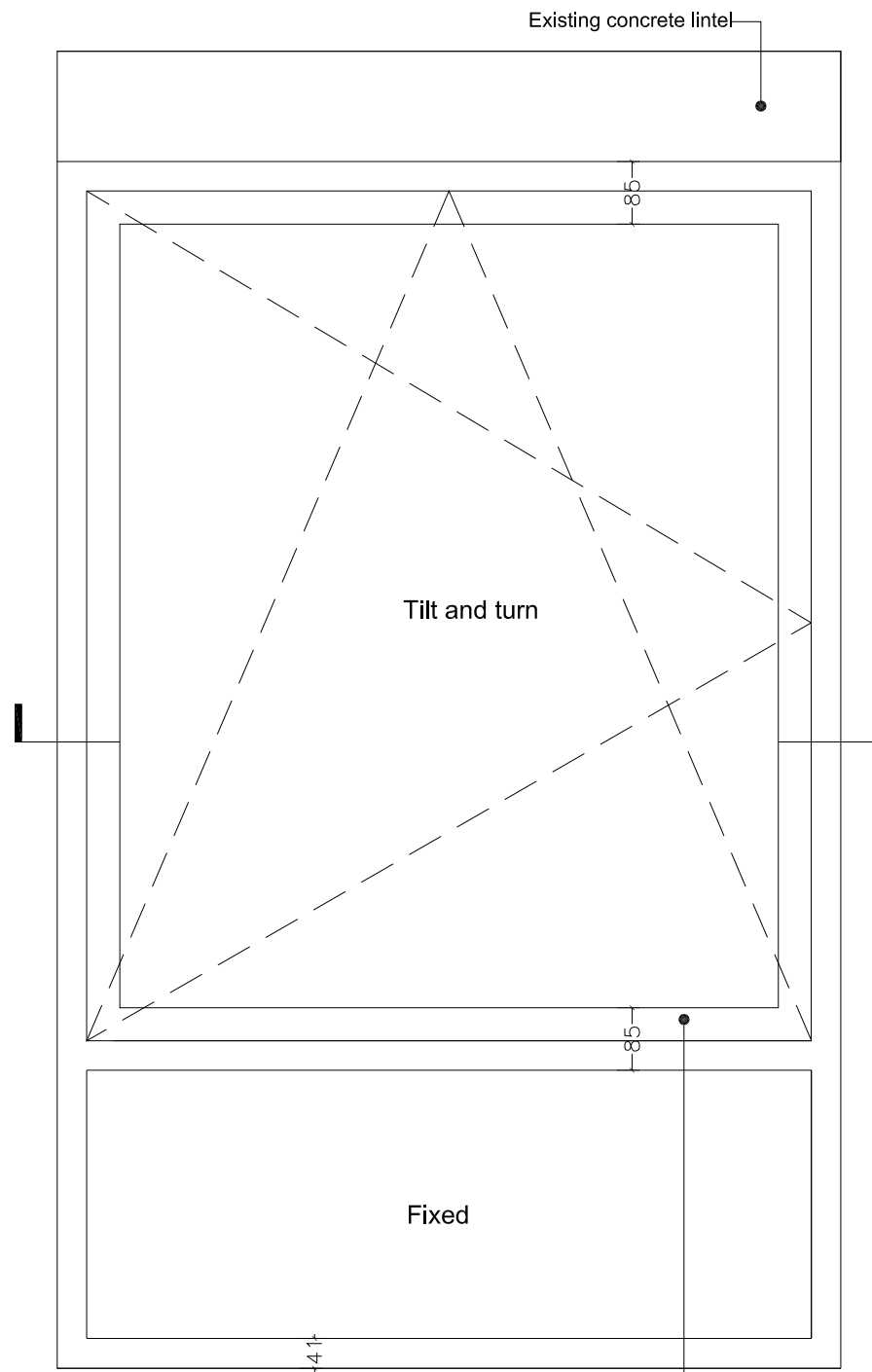


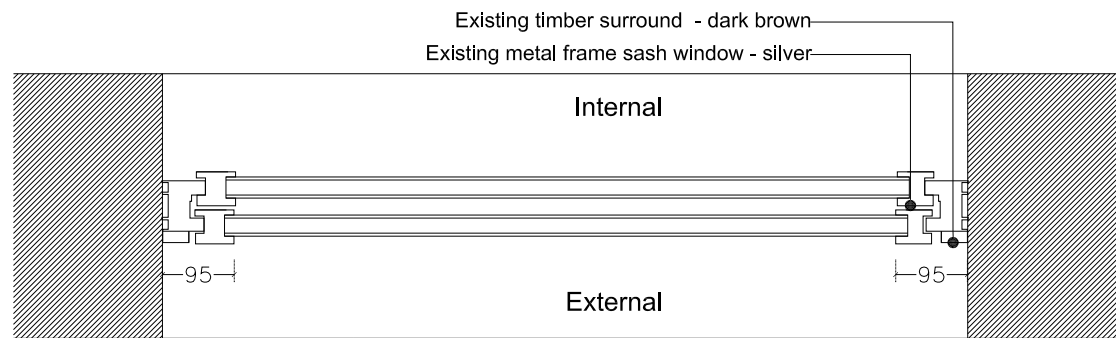
Please note all dimensions are approximate



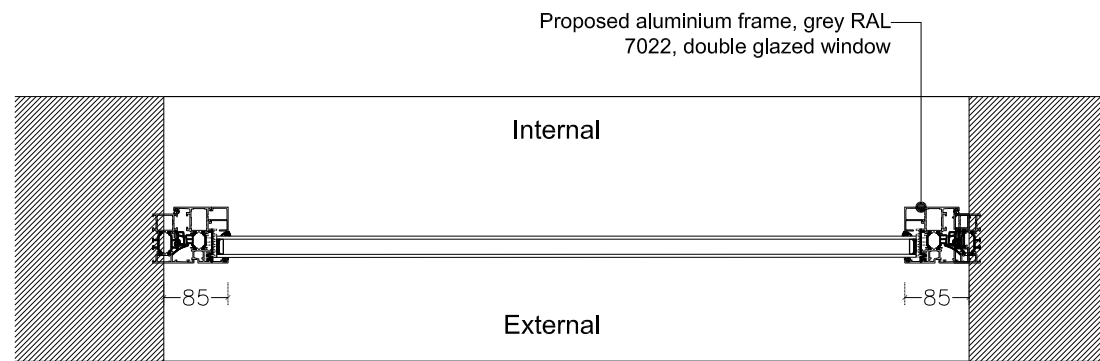
Existing elevation of typical window



Proposed elevation of typical window



Existing plan of typical window



Proposed plan of typical window



NOTES

DO NOT SCALE FROM DRAWING. ALL DIMENSIONS, LEVELS, COORDINATES, SETTING OUT, TO BE CHECKED ON SITE AND ANY DISCREPANCY REPORTED IMMEDIATELY TO THE ARCHITECT AND PROJECT MANAGER.

PROJECT

135 Haverstock Hill

CLIENT

Michael Gross

DRAWING NAME

Typical detail of existing and proposed window frames - Type 2

REVISIONS

STATUS	SCALE
Planning	1 : 10@A3
DRAWING NUMBER	DATE
HYA 15042 (P) 318	25/05/17

HIGGS YOUNG ARCHITECTS

HIGGS YOUNG ARCHITECTS LTD
54 BOSTON PLACE
LONDON NW1 6ER
Tel: 0044 (0)20 7724 9395
E-mail: info@higgseyoung.com