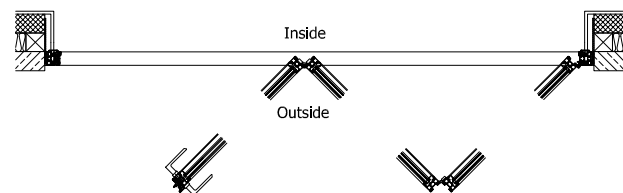
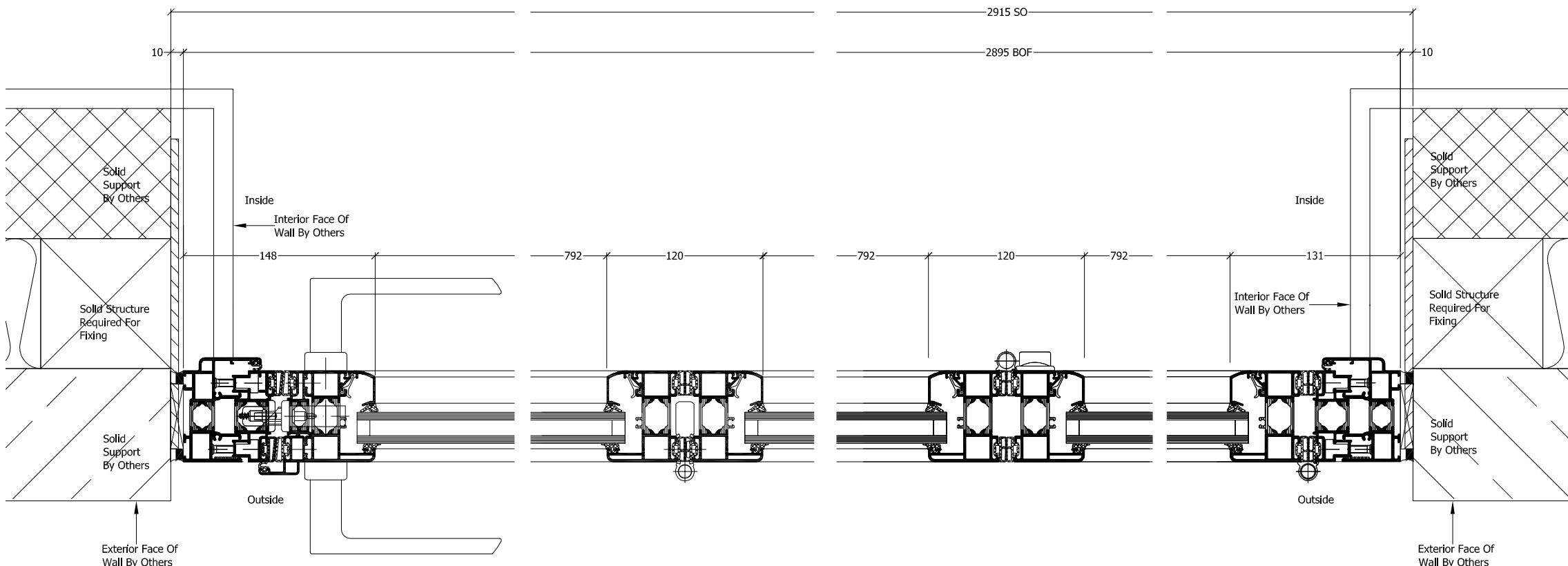
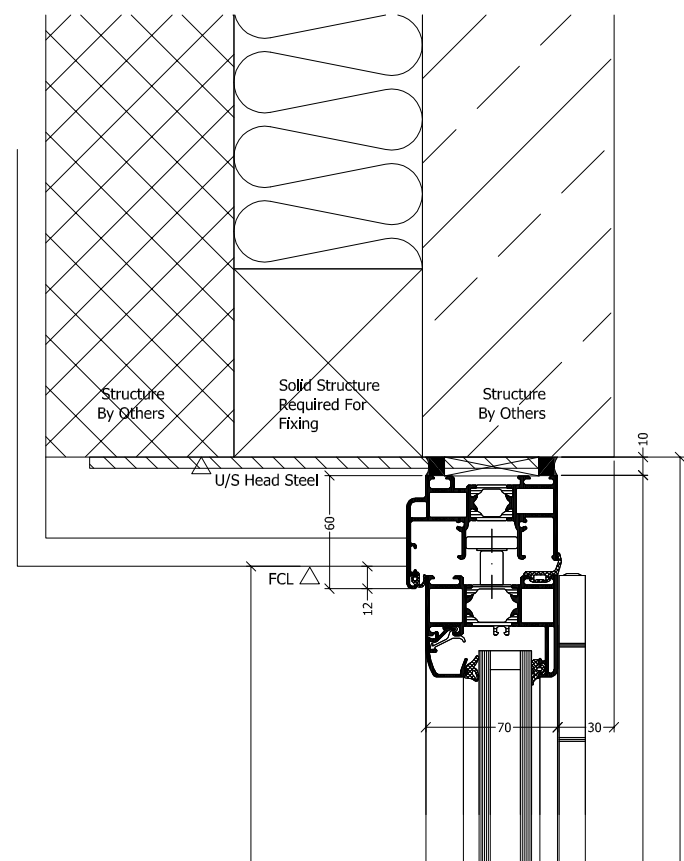


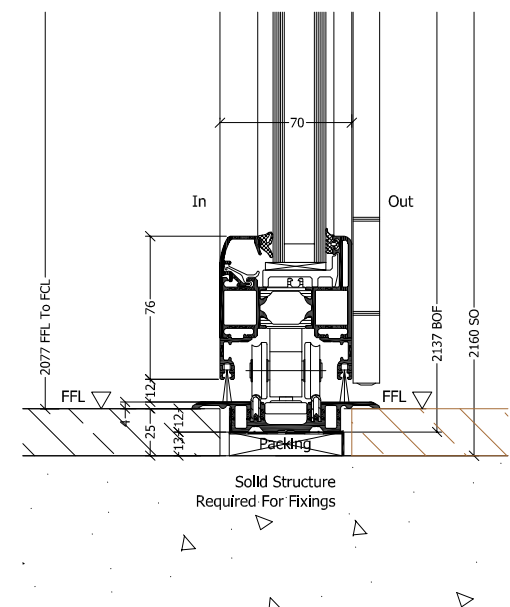
Exterior Elevation Of Bi-Folding Doors
Scale 1:20



Plan Of Bi-Folding Doors
Scale 1:20



Section A-A
Scale 1:2



Section B-B
Scale 1:2

Notes;
All Dimensions TBC On Site.
RAL Finish TBC By Architect.
FFL, FCL and Wall Finish TBC
By Architect

Do Not Scale From This Drawing

Revisions
Rev A Drawing Revised To Suit
Site Survey 03/11/14
Rev A Handing Of Door Amended
14/11/14

IQ Glass Solutions
THE COURTYARD @ SKY HOUSE
RAANS RD, AMERSHAM, HP6 6JQ
TEL: +44 (0) 1494 722880
FAX: +44 (0) 1494 721535
WWW.TEXOGROUP.COM
WWW.IQGLASS.CO.UK

Project
4 Barrington Park Gardens
HP8 4SS

Drawing Title
Detail Of Bi-Folding Doors D11

Date 14-10 -14 Scale As Shown@A1
Drawing No. IQ745-06 Rev B Drawn By AM

Ground D11