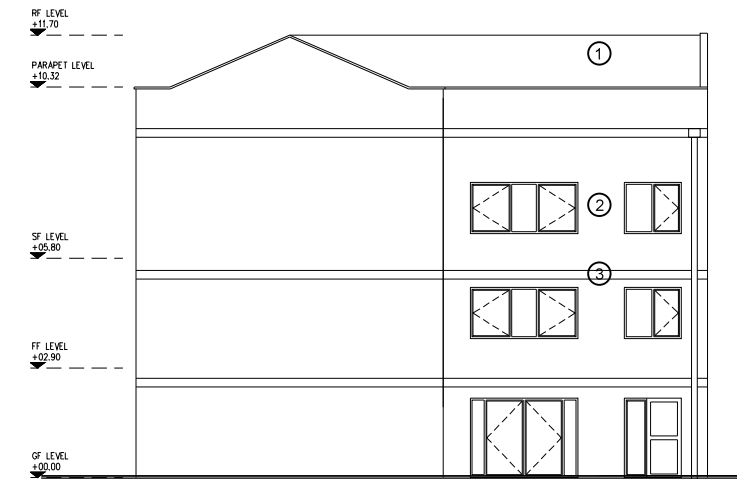
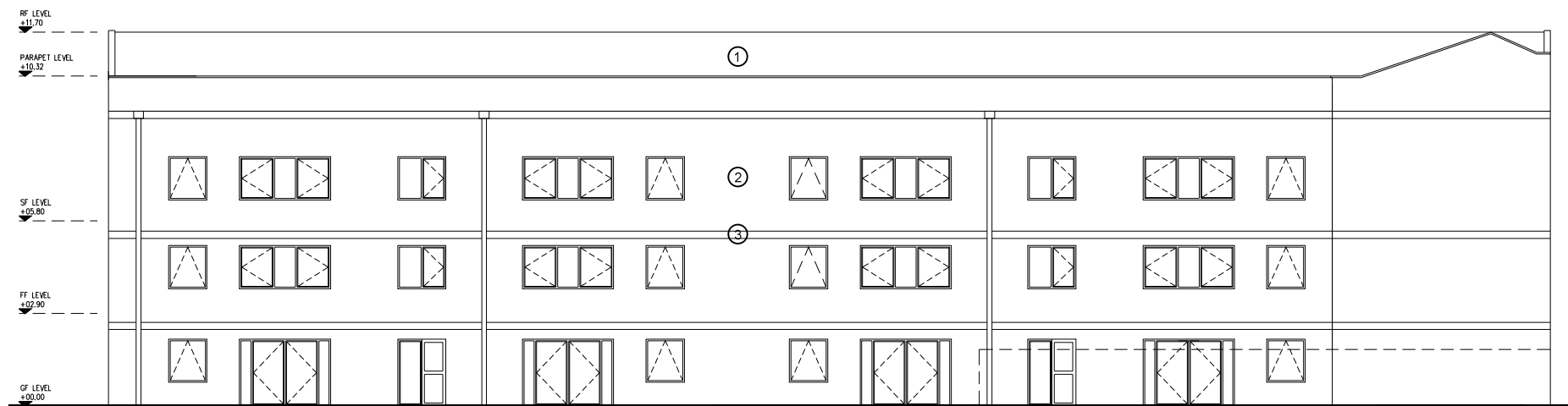


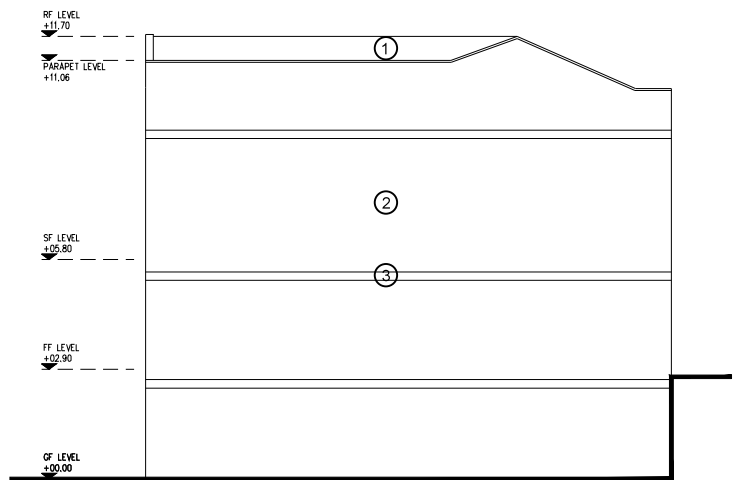
1 NORTH ELEVATION
SCALE: 1:200@A3



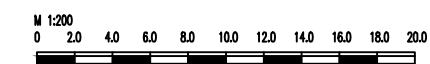
2 EAST ELEVATION
SCALE: 1:200@A3



3 SOUTH ELEVATION
SCALE: 1:200@A3



4 WEST ELEVATION
SCALE: 1:200@A3



NOTES

- The Copy right of this drawing is the property of Create and must not be copied otherwise reproduced without written consent.
- The contractor is responsible for checking dimensions, tolerances and references. Any discrepancy to be verified with the Architect before proceeding with the works.
- Do not scale drawing. Figured dimensions to be worked to in all cases.

CDM Regulations 2007

ALL current drawings and specifications for the project must be read in conjunction with the Designer's Hazard and Environmental Assessment Record.

NOTE THE LEVELS SHOWN ON THIS DRAWING HAVE BEEN INTERPOLATED FROM PHOTOGRAPHIC INFORMATION. A FURTHER LEVEL SURVEY IS REQUIRED TO CONFIRM THE LEVELS INDICATED.

MATERIALS KEY:

- ① SLATE ROOF
- ② BUFF BRICK
- ③ BLUE BRICK

08.04.15 A ISSUE FOR COMMENT AA AC

date	rev	revision/author/checker

client

ROOMS AND STUDIOS

project

73 MAYGROVE ROAD
BLOCK A

drawing

EXISTING ELEVATIONS
NORTH SOUTH AND EAST

drawing no

B20E01

rev

A

drawn AND checked MW

scale @ A3 1:200 date 26/11/14

CREATE
DESIGN + ARCHITECTURE
Unit 314, Great Guildford Business Centre
30 Great Guildford Street, London SE1 6NS
T: +44 (0)20 7821 0267
www.createandesign.org