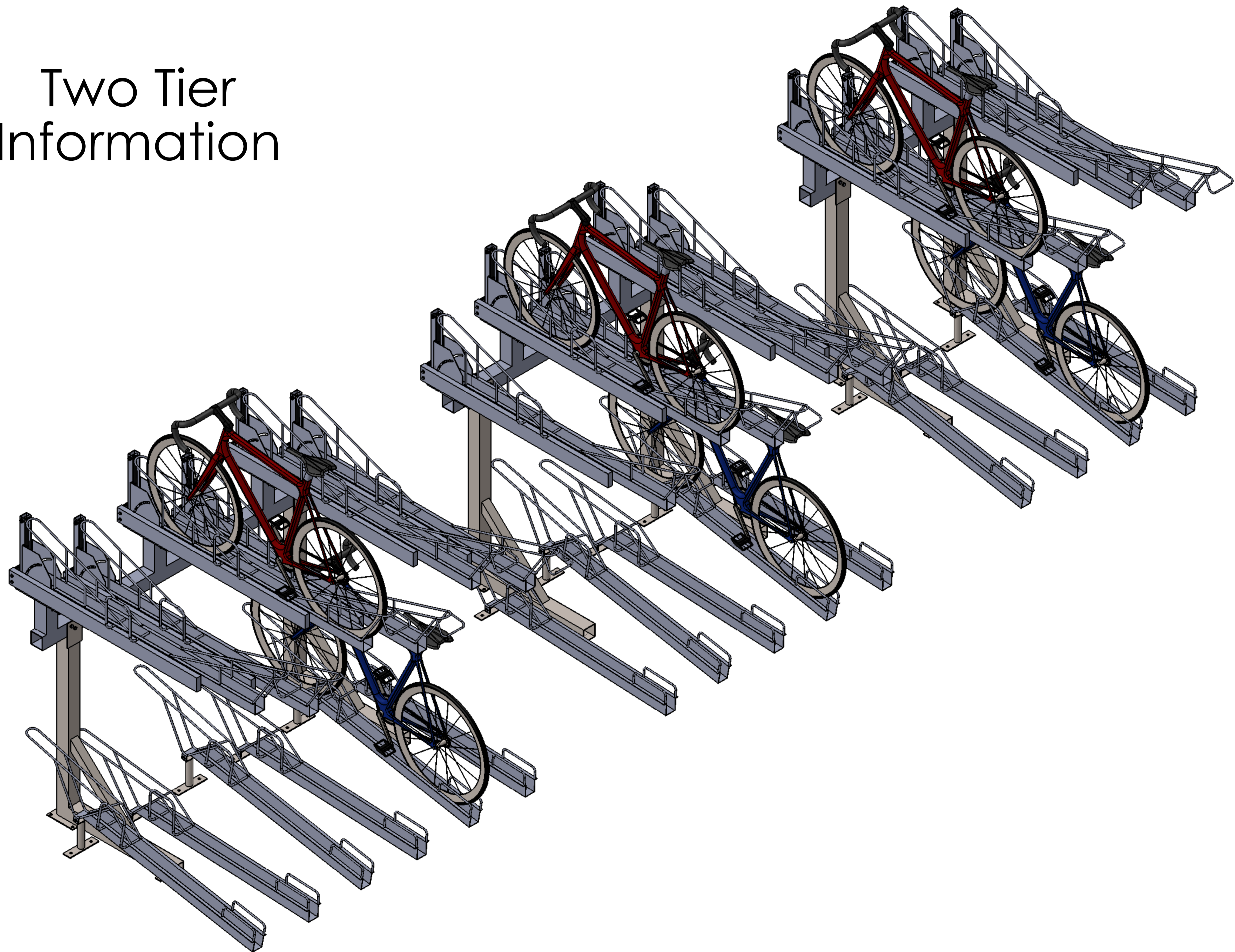
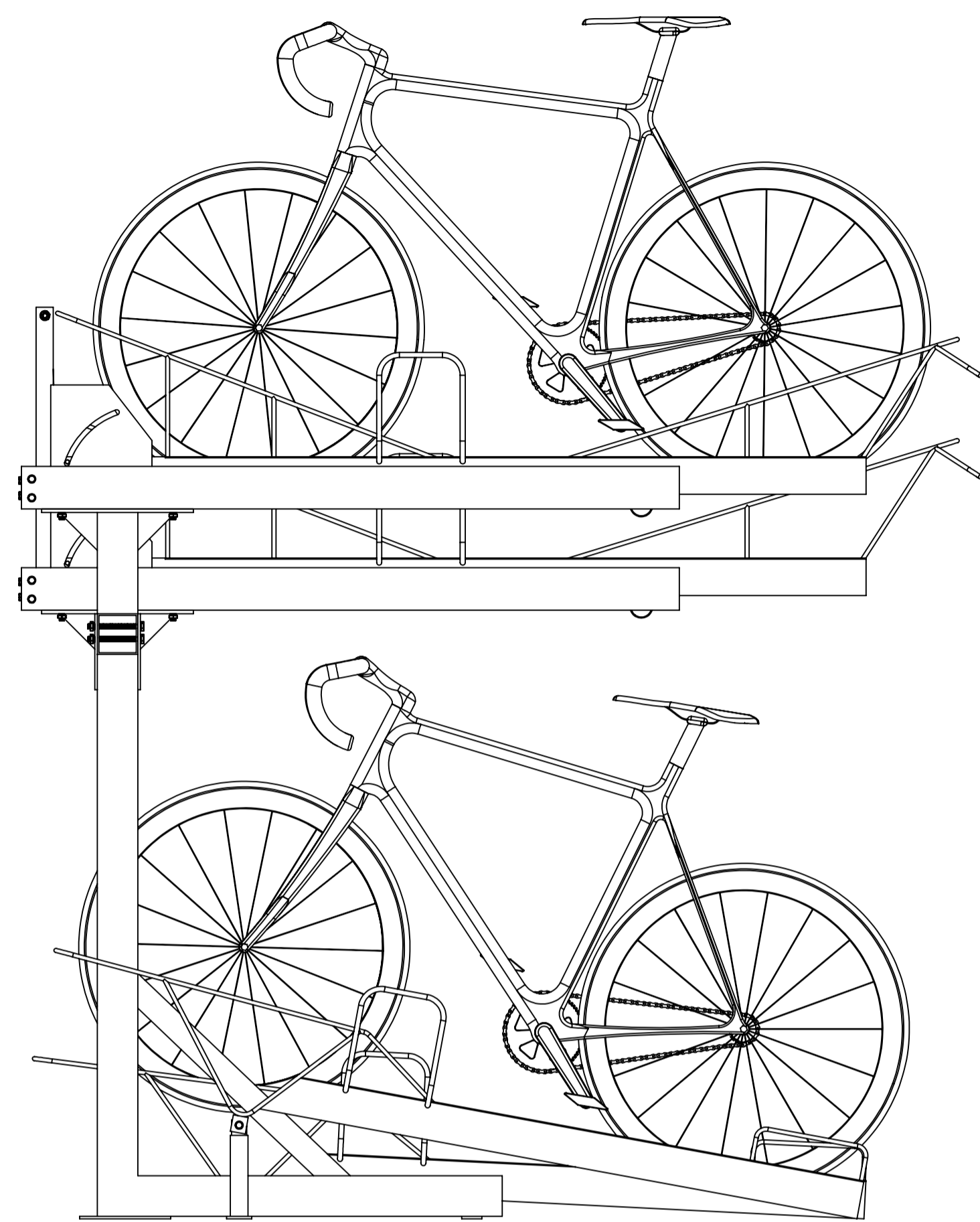


Two Tier Information

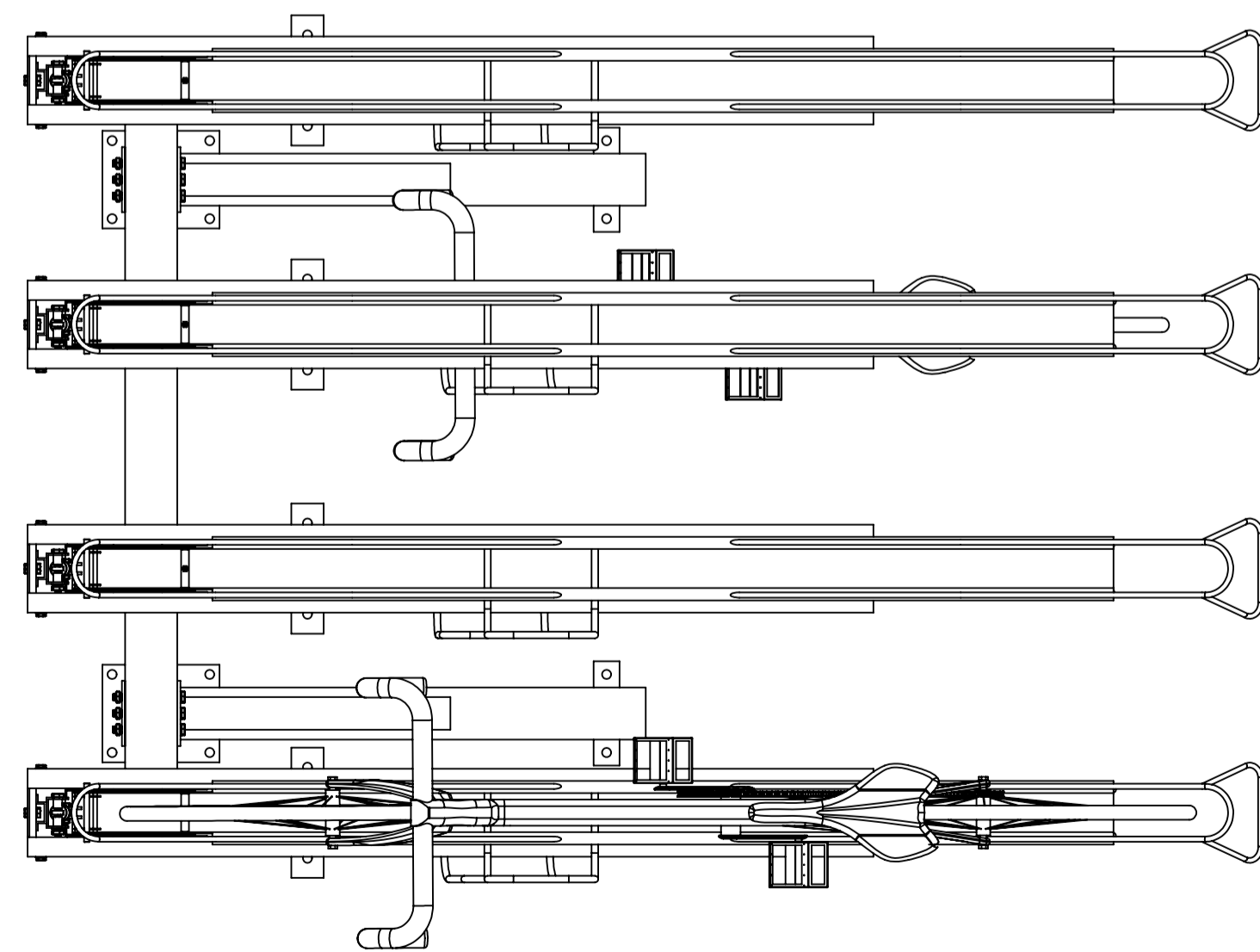
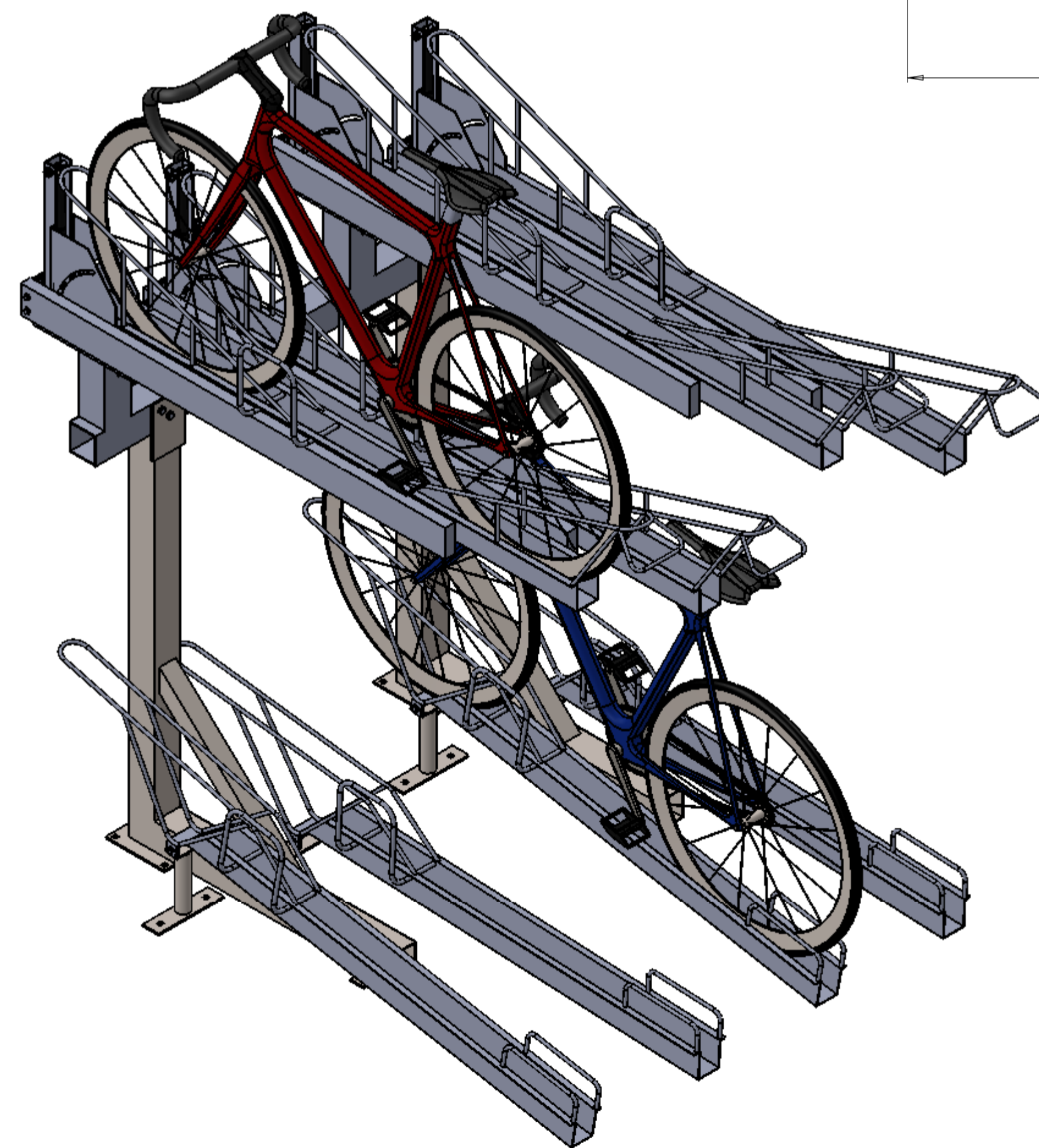
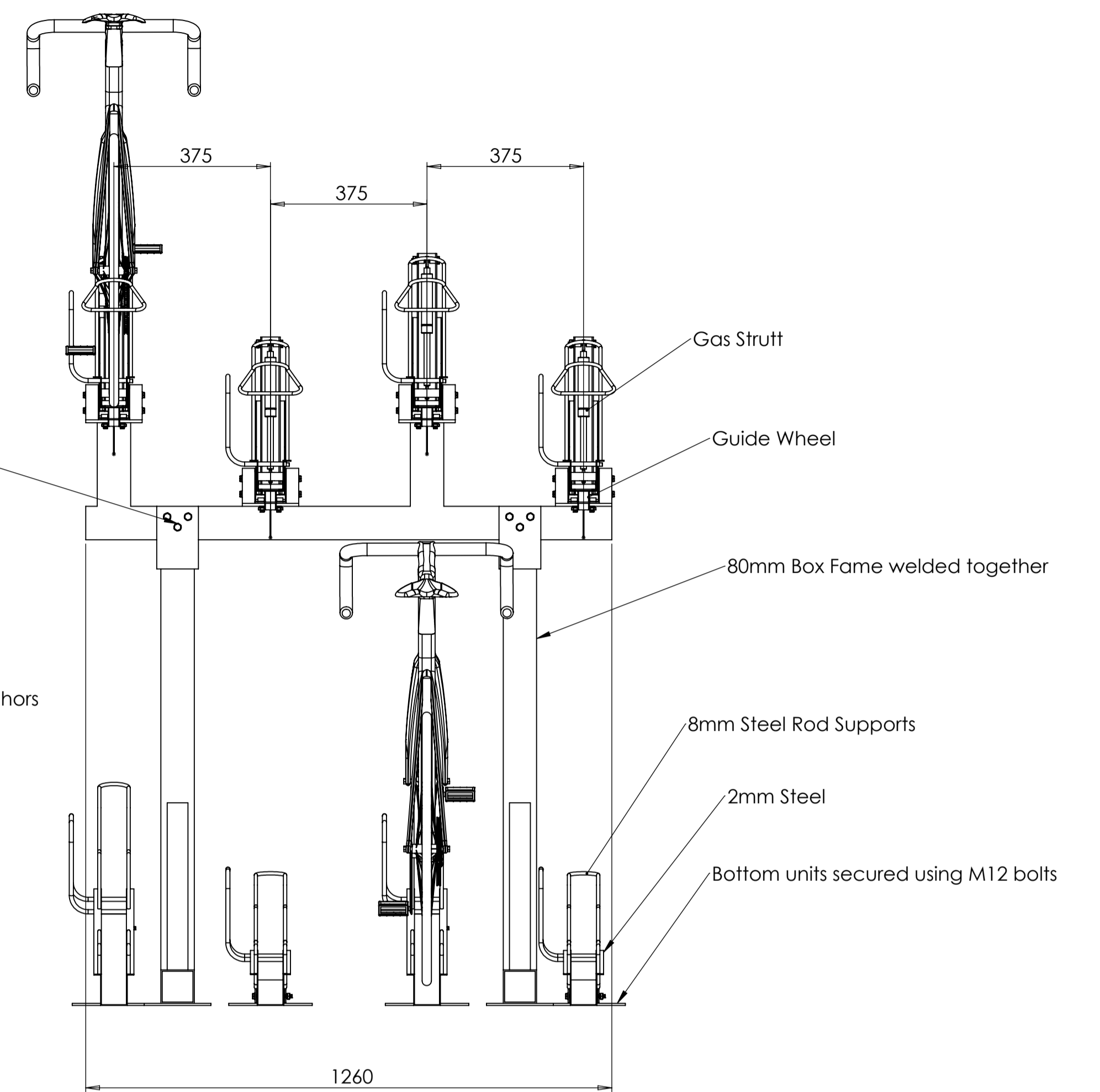


UNLESS OTHERWISE SPECIFIED: DIMENSIONS ARE IN MILLIMETERS				FINISH:	DEBUR AND BREAK SHARP EDGES	DO NOT SCALE DRAWING	REVISION
SURFACE FINISH:				TOLERANCES:		TITLE:	
LINEAR:				ANGULAR:		Bike Dock Solutions www.bikedocksolutions.com 0800 612 6113	
DRAWN:	NAME:	SIGNATURE:	DATE:	MATERIAL:		C.D. NO. Two Tier Information ^{A1}	
CHK'D:				WEIGHT:		SCALE: 1:10	
APP'VD:						SHEET 1 OF 5	
MFG:							
Q.A.							



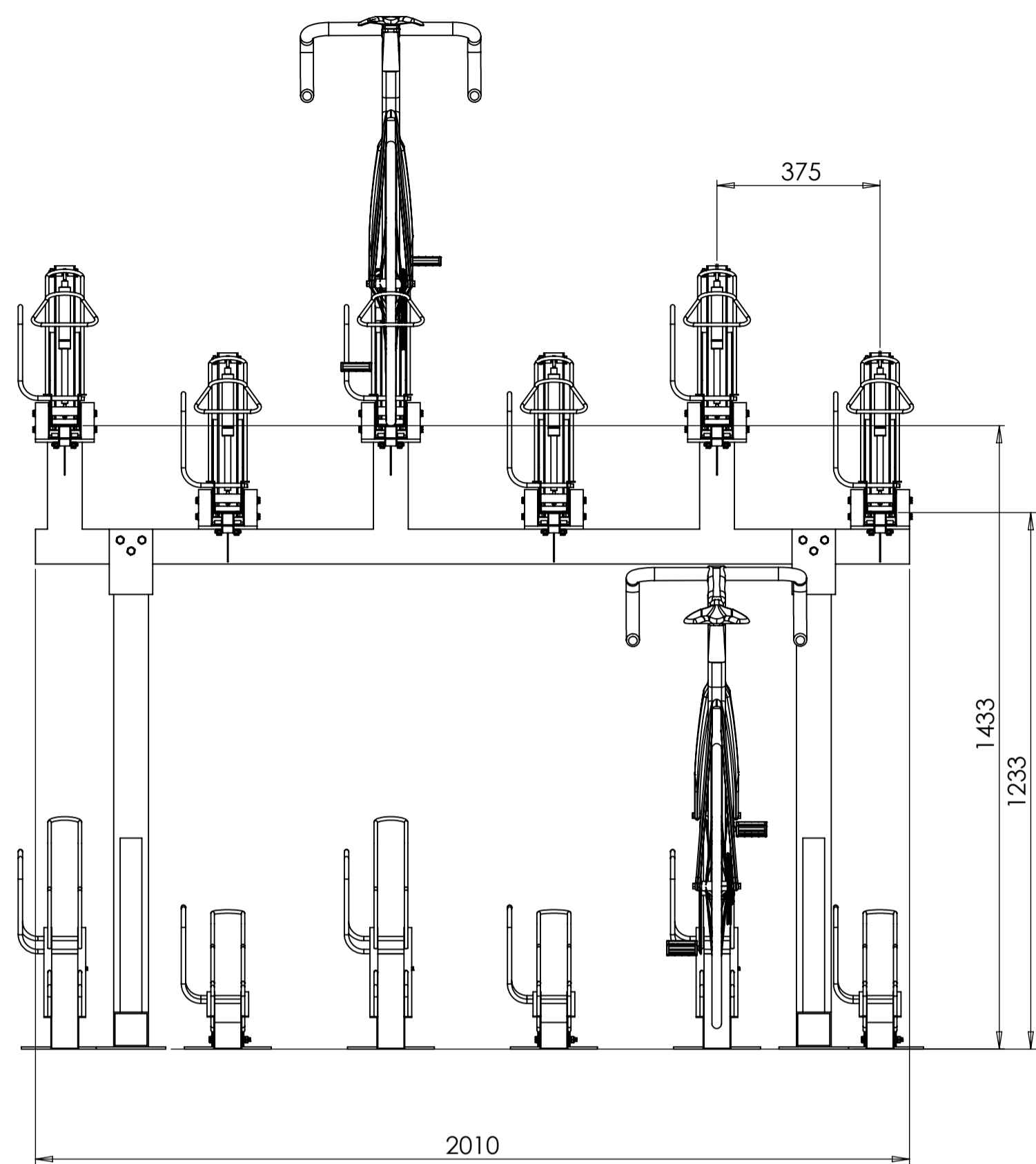
Rack Finish - Galvanised
 Frame bolted together using M10 bolts
 Secured to ground using M12 Sheeth anchors

Secured using M10 Bolts

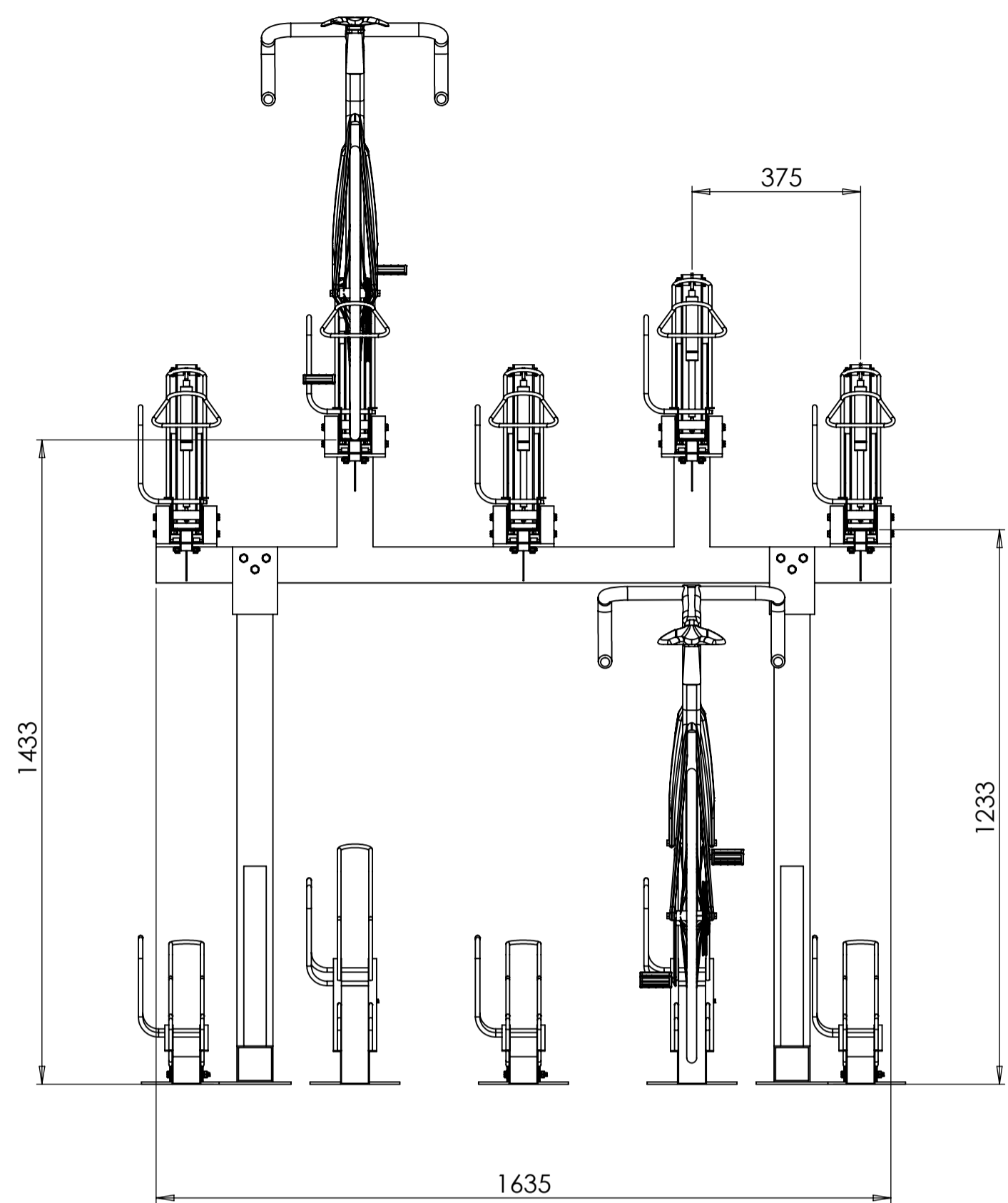


UNLESS OTHERWISE SPECIFIED: DIMENSIONS ARE IN MILLIMETERS SURFACE FINISH: TOLERANCES: LINEAR: ANGULAR:			FINISH:	DEBUR AND BREAK SHARP EDGES	DO NOT SCALE DRAWING	REVISION
DRAWN:	NAME:	SIGNATURE:	DATE:		TITLE:	
CHK'D:					Bike Dock Solutions www.bikedocksolutions.com 0800 612 6113	
APP'VD:					DWG NO. Two Tier Customer Drawing	A1
MFG:				MATERIAL:		
Q.A.				WEIGHT:	SCALE:1:10	SHEET 2 OF 5

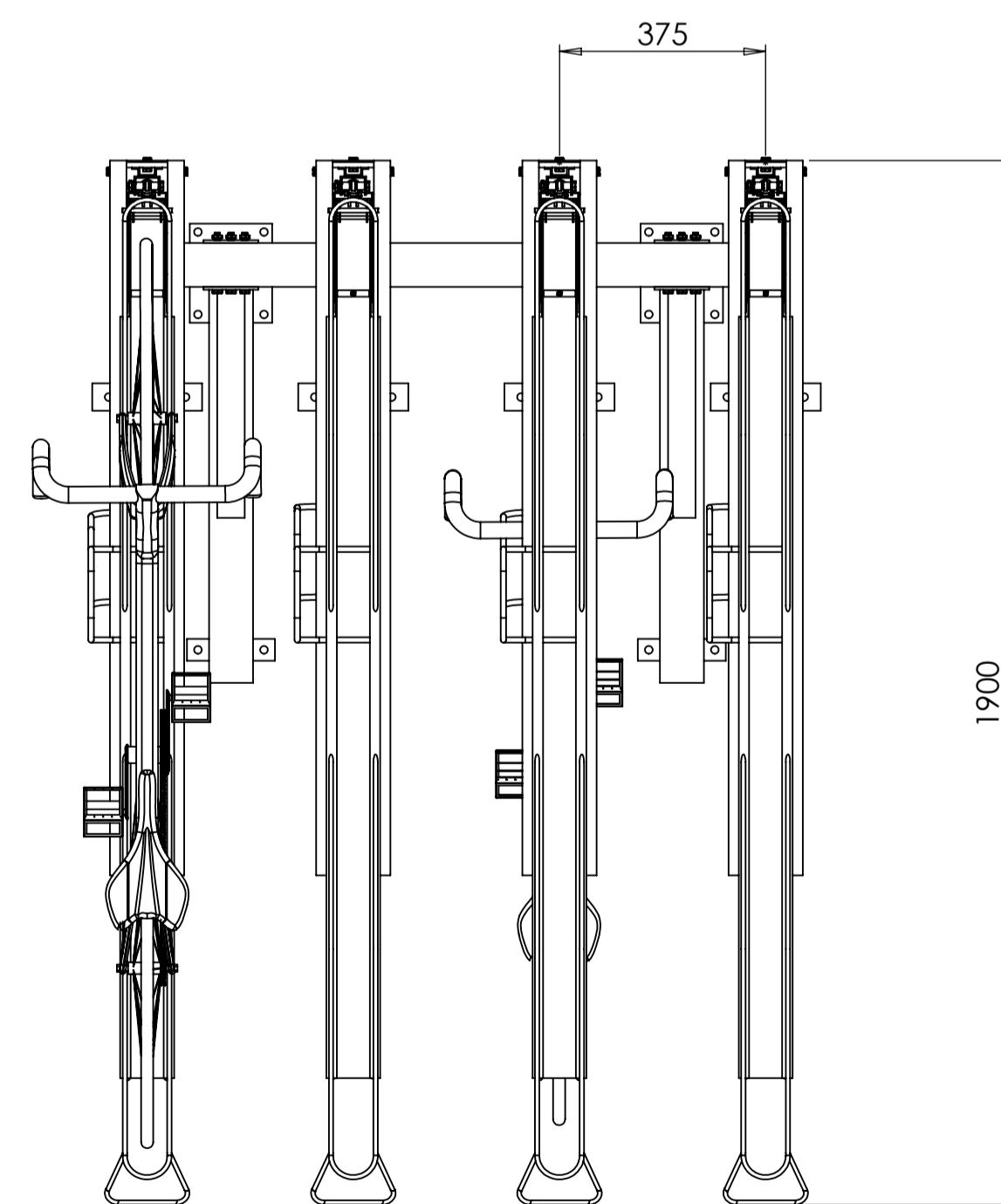
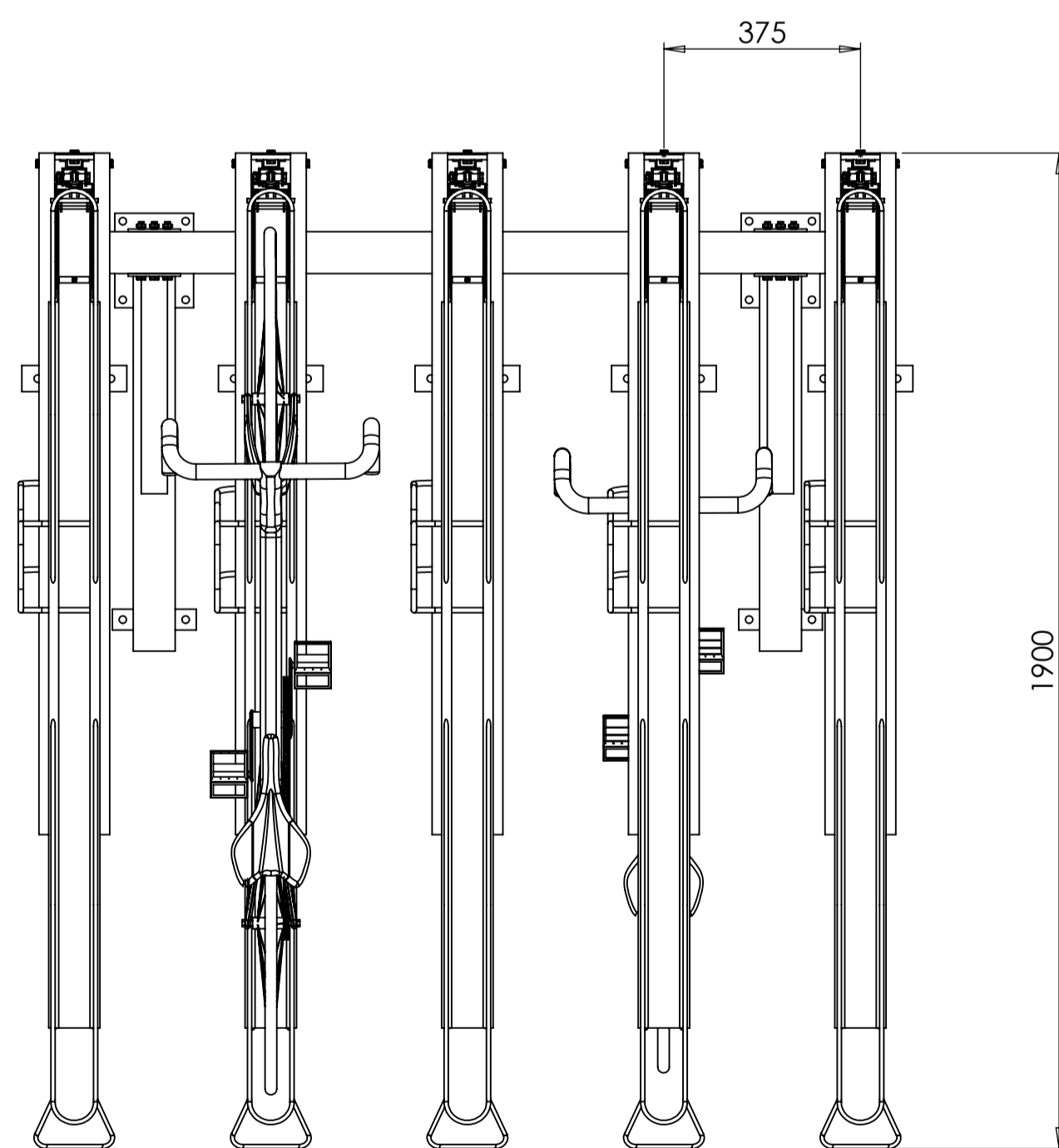
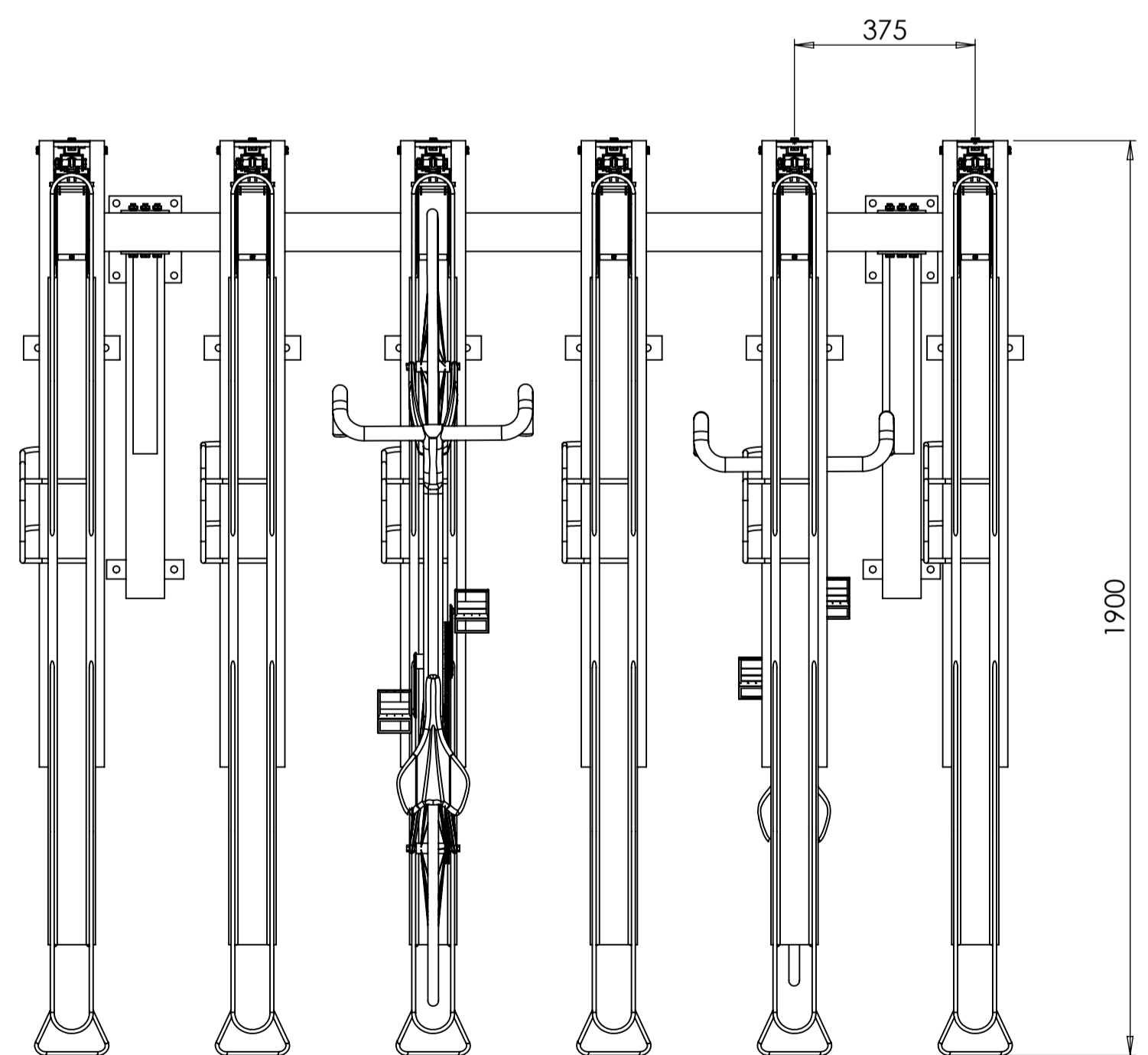
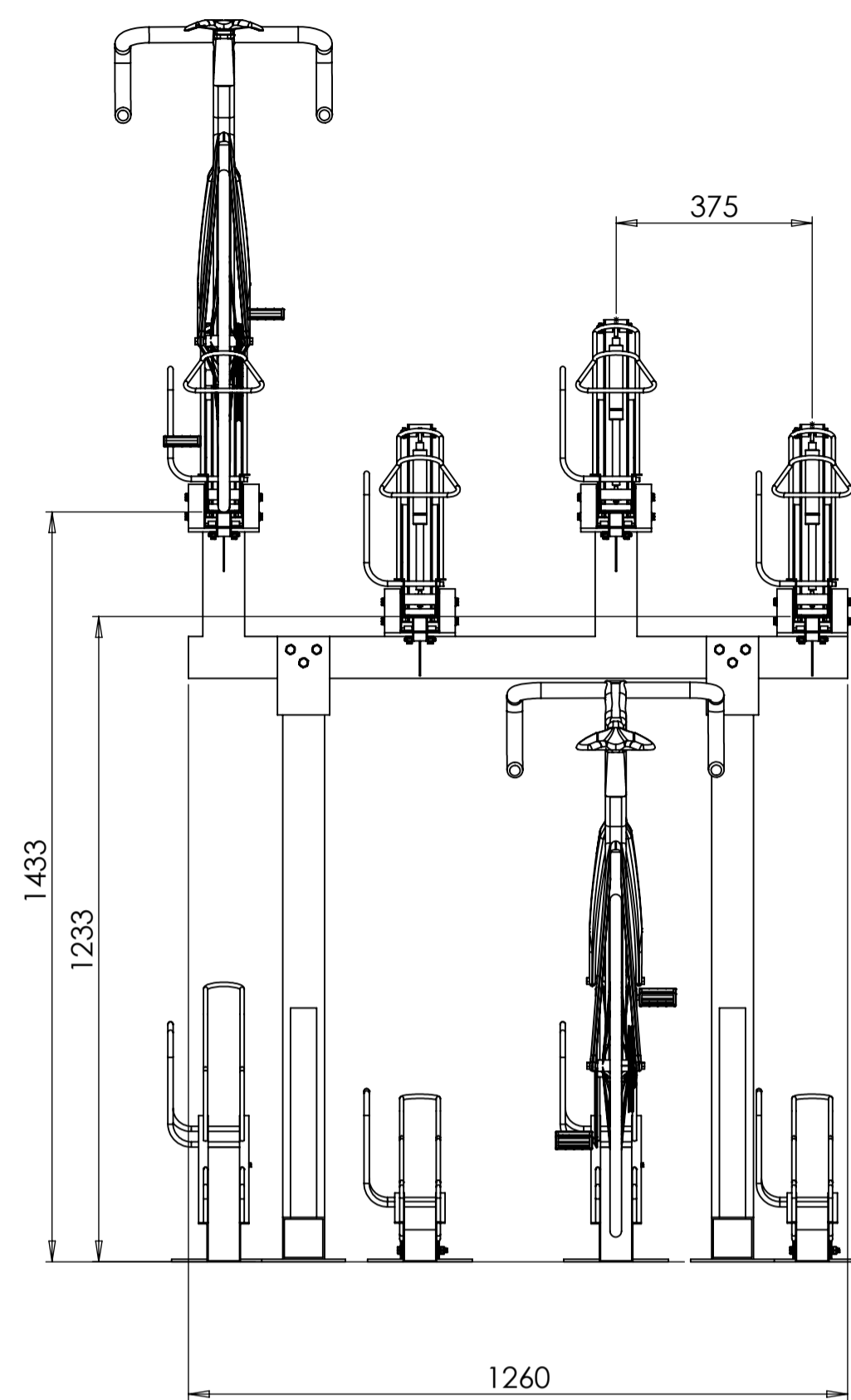
6 up 6 down
12 Space



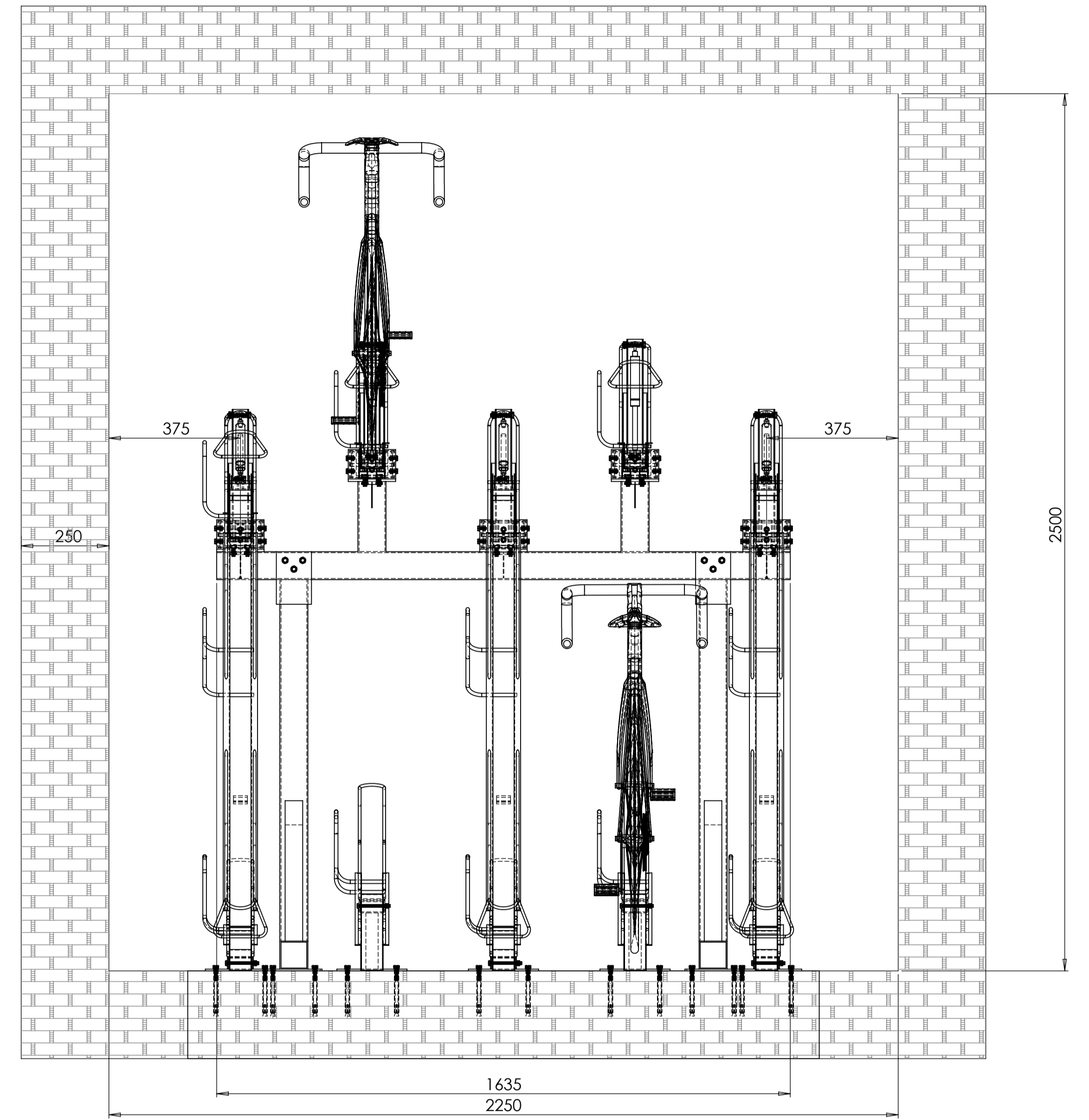
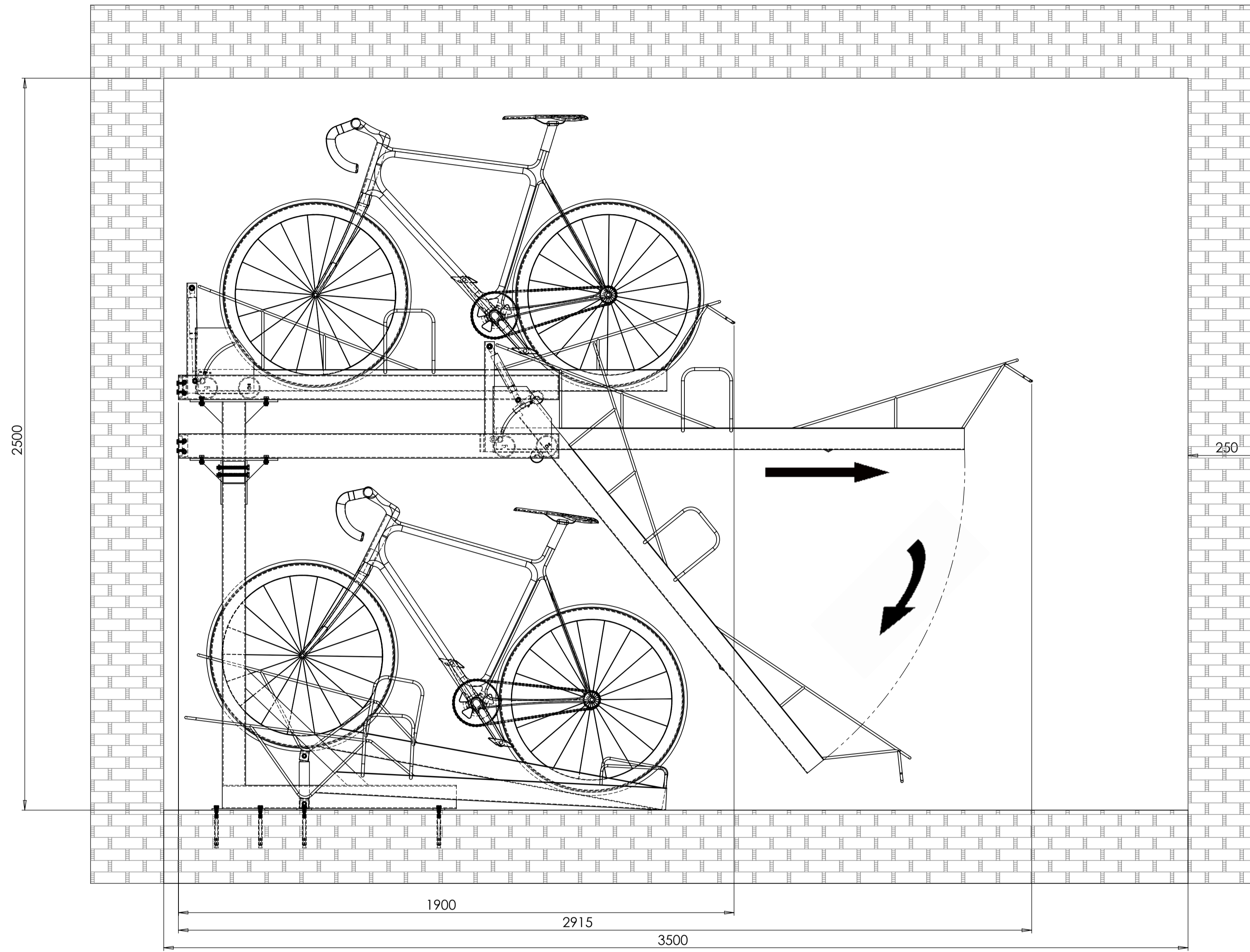
5 up 5 down
10 Space



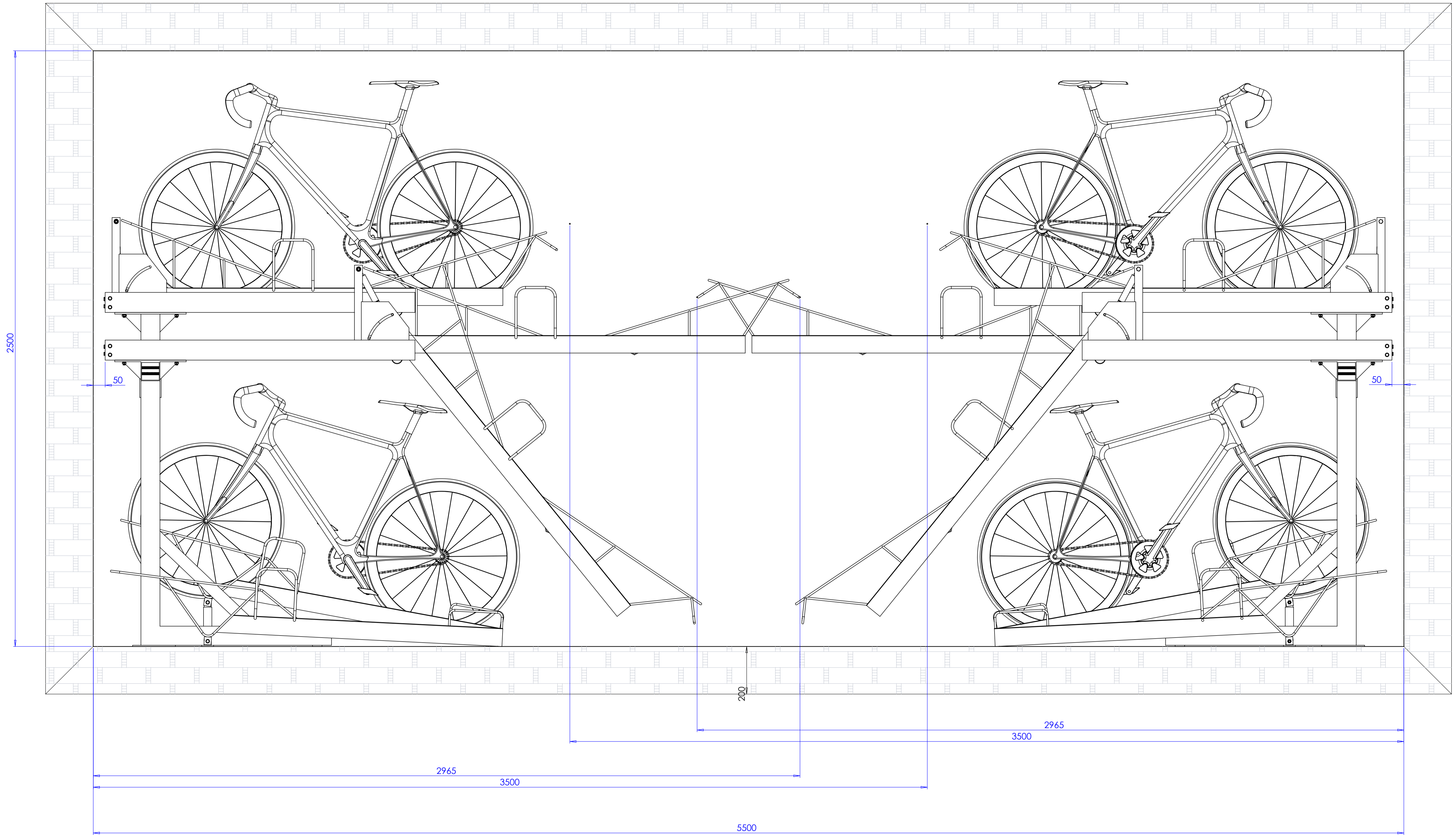
4 up 4 down
8 Space



UNLESS OTHERWISE SPECIFIED: DIMENSIONS ARE IN MILLIMETERS SURFACE FINISH: TOLERANCES: LINEAR: ANGULAR:			FINISH:	DEBUR AND BREAK SHARP EDGES	DO NOT SCALE DRAWING	REVISION
DRAWN	NAME	SIGNATURE	DATE			TITLE:
CHK'D						Bike Dock Solutions www.bikedocksolutions.com 0800 612 6113
APP'VD						
MFG						
Q.A.						
				MATERIAL:	DWG NO.	Standard Set Spacing
				WEIGHT:	SCALE:1:12	A1
					SHEET 3 OF 5	



UNLESS OTHERWISE SPECIFIED: DIMENSIONS ARE IN MILLIMETERS		FINISH:	DEBUR AND BREAK SHARP EDGES	DO NOT SCALE DRAWING	REVISION
SURFACE FINISH:					
TOLERANCES:					
LINEAR:					
ANGULAR:					
DRAWN	NAME	SIGNATURE	DATE	TITLE:	
CHK'D				Bike Dock Solutions www.bikedocksolutions.com 0800 612 6113	
APP'VD					
MFG					
Q.A.					
MATERIAL:			DWG NO.	Two Tier Rack Space Requirements Drawing	A1
WEIGHT:			SCALE:1:10	SHEET 4 OF 5	



UNLESS OTHERWISE SPECIFIED: DIMENSIONS ARE IN MILLIMETERS				FINISH:	DEBUR AND BREAK SHARP EDGES	DO NOT SCALE DRAWING	REVISION
SURFACE FINISH:							
TOLERANCES:							
LINEAR:							
ANGULAR:							
DRAWN:	NAME	SIGNATURE	DATE			TITLE:	
CHK'D:						Bike Dock Solutions www.bikedocksolutions.com 0800 612 6113	
APP'VD:						C. No.	
MFG:						Two Tier Information ¹	
Q.A.						SCALE: 1:8	
				MATERIAL:		SHEET 5 OF 5	
				WEIGHT:			