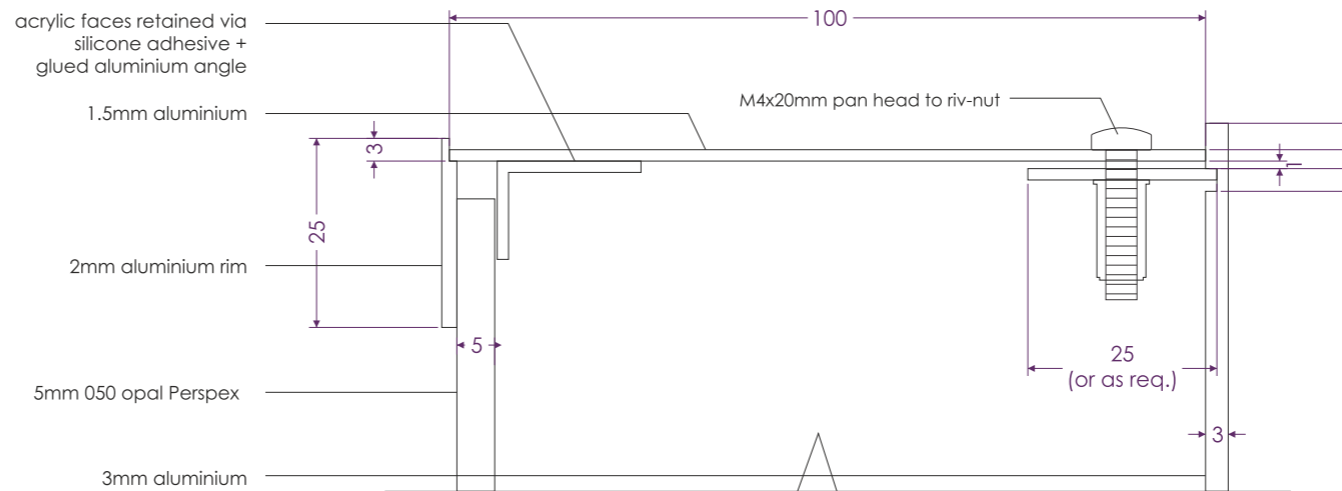
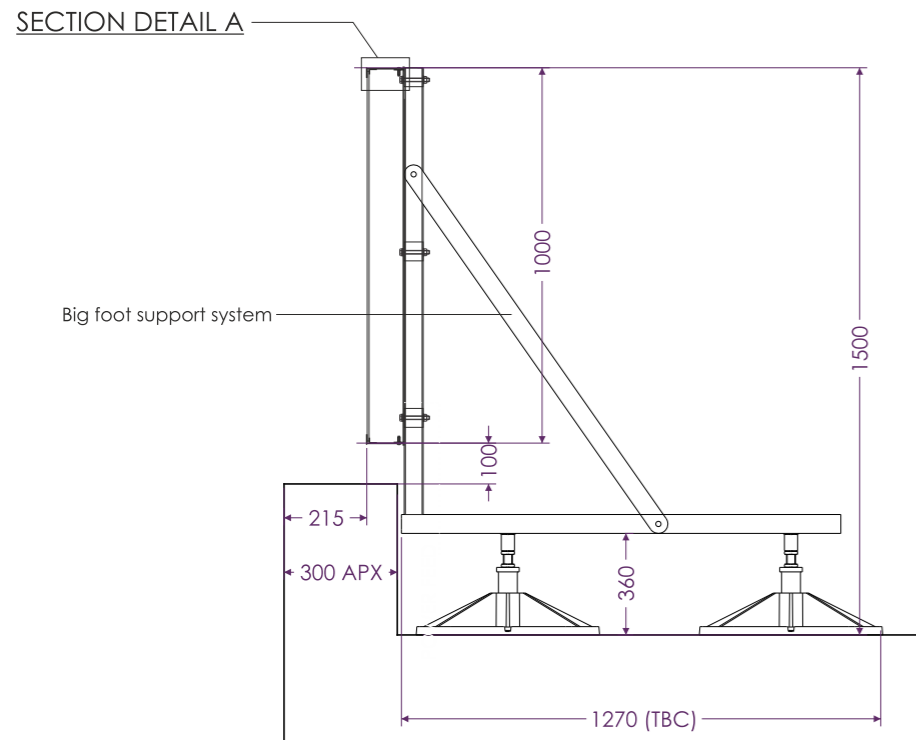




EAST ELEVATION - NON - ILLUMINATED SIGNAGE LAYOUT
scale 1:75



SECTION DETAIL A
RIM & RETURN FIXING
scale 1:1



SIGNAGE + BIG FOOT SECTION
scale 1:20

FACE ILLUMINATED SIGNAGE				PROD. FILES
FACE RIM	2mm aluminium (*2)	FINISH	TBC	X
FACE	5mm 050 opal Perspex (*1)			X
OUTER RETURNS	1.5mm aluminium	FINISH	TBC	
INNER RETURNS	1.5mm aluminium	FINISH	TBC	
BACK	3mm aluminium	FINISH	TBC	X
RETURN FIXINGS	M4x10/20mm pan head to riv-nut (paint to match rets)			
LETTER/LOGO FIXINGS	M10 bolts to support bars on big foot system/frame			
ILLUMINATION				
TRANSFORMER/S				
QUANTITY	1 no set			
OTHER DETAIL	(*1) 050 opal acrylic retained via silicone adhesive + retaining clips + 1 no mechanical fixing to each unit via welded stud to 'slot' to allow for material expansion (*2) additional support via tack welds 12no built up aluminium letters - 140kilos apx.			

Client/Job No.	Gardiner & Theobald LLP/SO2266
Job Title/Site	The British Postal Museum/Calthorpe House, Mount Pleasant, London
Drawing Title	DRG001 - Proposed East Elevation 'non illuminated roof signage'

Revisions		
A	25.04.2017	updated frame detail
B	18.05.2017	updated to remove illumination refs

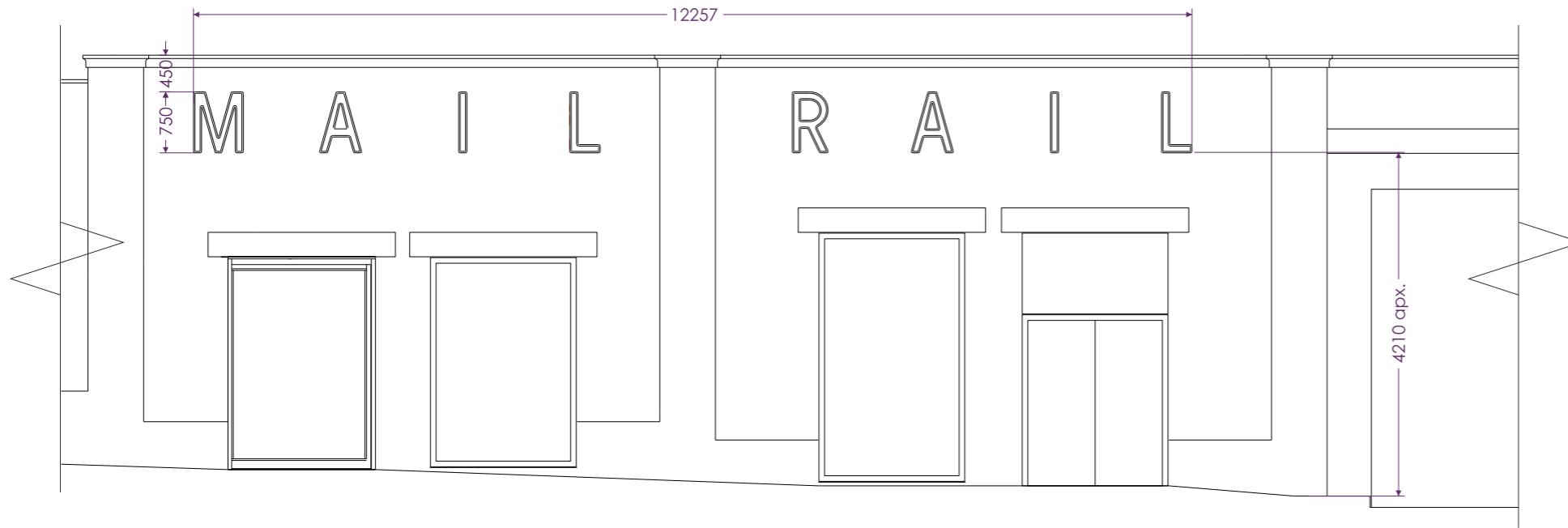
Issue No.	PM	Drawn by	Survey by
03	NK/BP	RB	-
Date 1st drawn		Drawing update	
12.04.2017		18.05.2017	
Scale at A3			
1:75 + 1:20 + 1:1			
File reference			
\\GRAFFITI-SERVER\media2\PROJECTS - GRAFFITI\The British Postal Museum\Production			

Design House
Swift Business Park
Burwash Road
Broad Oak
Heathfield
East Sussex
TN21 8UP
Tel: (01435) 866763
Fax: (01435) 867213
Email: sales@graffitidesign.co.uk

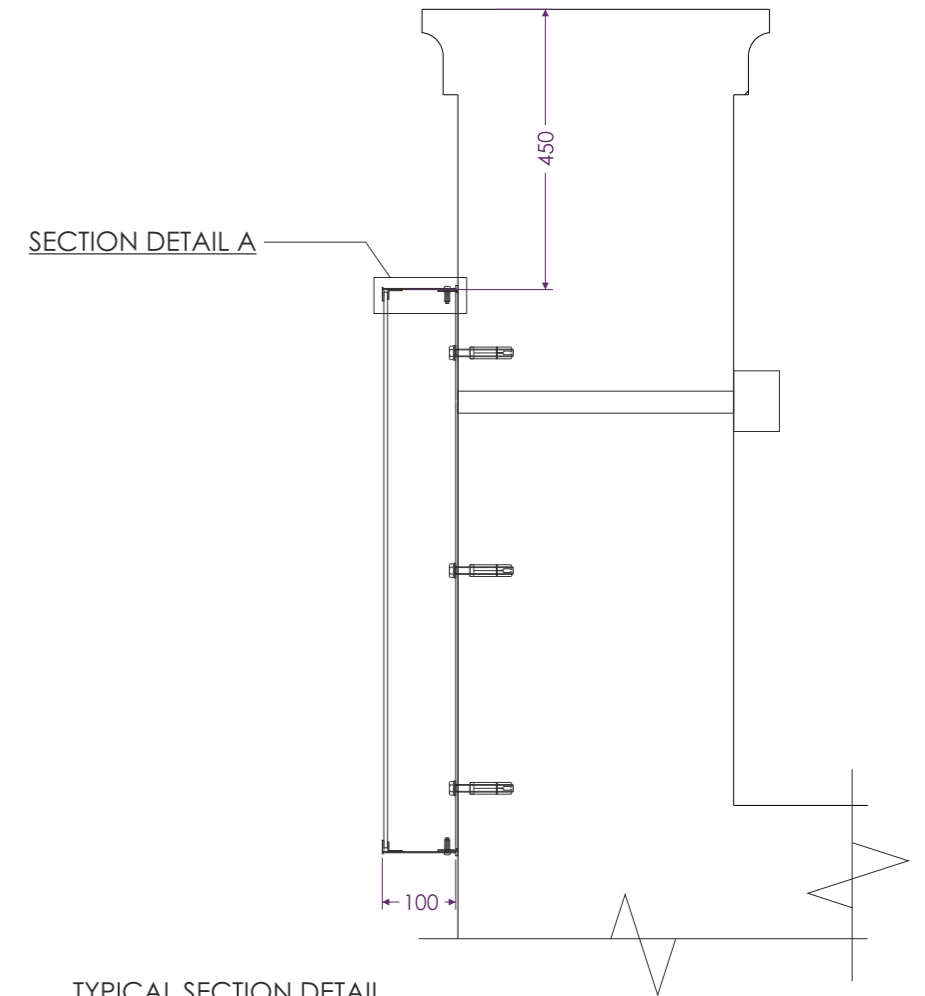


Graffiti design International Ltd own the copyright of this design. Reproduction of this artwork or any part thereof without written permission from Graffiti Design International Ltd will be subject to a minimum charge of £150 for copyright infringement.
All dimensions are in millimetres unless otherwise stated. Please check details are accurate before production.

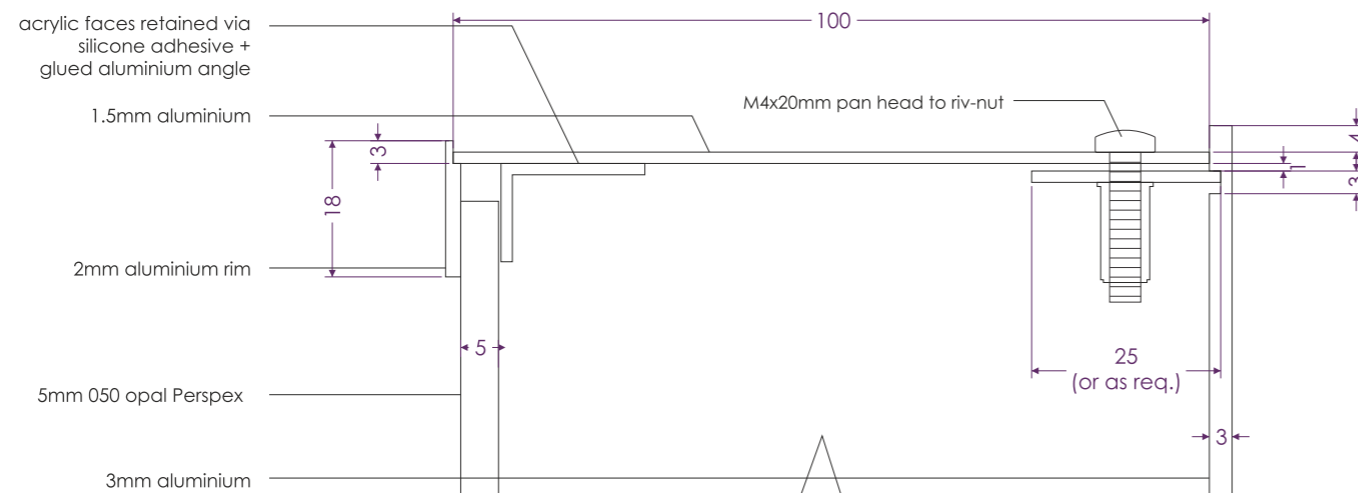
www.graffitidesign.co.uk



PHOENIX PLACE ELEVATION - NON ILLUMINATED SIGNAGE
scale 1:75



TYPICAL SECTION DETAIL
scale 1:10



SECTION DETAIL A
RIM & RETURN FIXING
scale 1:1

FACE ILLUMINATED SIGNAGE				PROD. FILES
FACE RIM	2mm aluminium (*2)	FINISH	TBC	X
FACE	5mm 050 opal Perspex (*1)			X
OUTER RETURNS	1.5mm aluminium	FINISH	TBC	
INNER RETURNS	1.5mm aluminium	FINISH	TBC	
BACK	3mm aluminium	FINISH	TBC	X
RETURN FIXINGS	M4x10/20mm pan head to riv-nut (paint to match rets)			
LETTER/LOGO FIXINGS	M10 bolts to brick wall (TBC)			
ILLUMINATION				
TRANSFORMER/S				
QUANTITY	1 no set			
OTHER DETAIL	(*1) 050 opal acrylic retained via silicone adhesive + retaining clips + 1 no mechanical fixing to each unit via welded stud to 'slot' to allow for material expansion (*2) additional support via tack welds 8no built up aluminium letters - 90kilos apx.			

Client/Job No.	Gardiner & Theobald LLP/SO2266
Job Title/Site	The British Postal Museum/Calthorpe House, Mount Pleasant, London
Drawing Title	DRG002 - Proposed Phoenix Place Elevation 'non illuminated wall mounted signage'

Revisions	A 18.05.2017 Updated to remove illumination refs
-----------	--

Issue No.	PM	Drawn by	Survey by
03	NK/BP	RB	-
Date 1st drawn	Drawing update		
25.04.2017	18.05.2017		
Scale at A3			
1:75 + 1:10 + 1:1			
File reference			
\\GRAFFITI-SERVER\media2\PROJECTS - GRAFFITI\The British Postal Museum\Production			

Design House
Swift Business Park
Burwash Road
Broad Oak
Heathfield
East Sussex
TN21 8UP
Tel: (01435) 866763
Fax: (01435) 867213
Email: sales@graffitidesign.co.uk

graffiti
design

www.graffitidesign.co.uk

Griffiti design International Ltd own the copyright of this design. Reproduction of this artwork or any part thereof without written permission from Griffiti Design International Ltd will be subject to a minimum charge of £150 for copyright infringement.
All dimensions are in millimetres unless otherwise stated. Please check details are accurate before production.