

SIZES ARE SUBJECT TO SITE SURVEY OR DETERMINED FROM AGREED STRUCTURAL OPENING DIMENSIONS PROVIDED BY MAIN CONTRACTOR.

ALL STRUCTURAL GROUNDS TO BE PREPARED BEFORE INSTALLATION.

NOTES:

Glass:
 4mm clear Toughened - 20mm - 4mm clear Toughened;
 Glass to glass corner (1W6 & 1W10)
 6mm clear Toughened - 16mm - 6mm clear Toughened (silicone sealed units);

Pivot Doors glass:
 10mm clear Toughened - 16mm - 6mm Toughened;

Windows and Fixed Frame:
 Sapa Dualframe 75 Si Window System, PPC to a standard RAL colour (TBC);

Pivot Doors Frame:
 Fine Line' pivot system, PPC to a standard RAL colour (TBC)

Balustrade glass:
 15 mm clear toughened, PAR;
 'CRLaurance' Taper-Loc, dry glaze railing system with satin stainless steel cover plates.

C: Changed windows sections 30.03.17
 B: Changed door sections 21.03.17
 A: Changed sections 23.01.17

Sealtite Ltd
 16-18 Kennet Road, Crayford
 Postal Code: DA1 4QN
 Tel: 01322 550 760
 e-mail: info@sealtitewindows.co.uk

Project:
 5 Kemplay Road,
 London, NW3

Description:
 First Floor. Doors, Windows, and Balustrade.
 Plan.

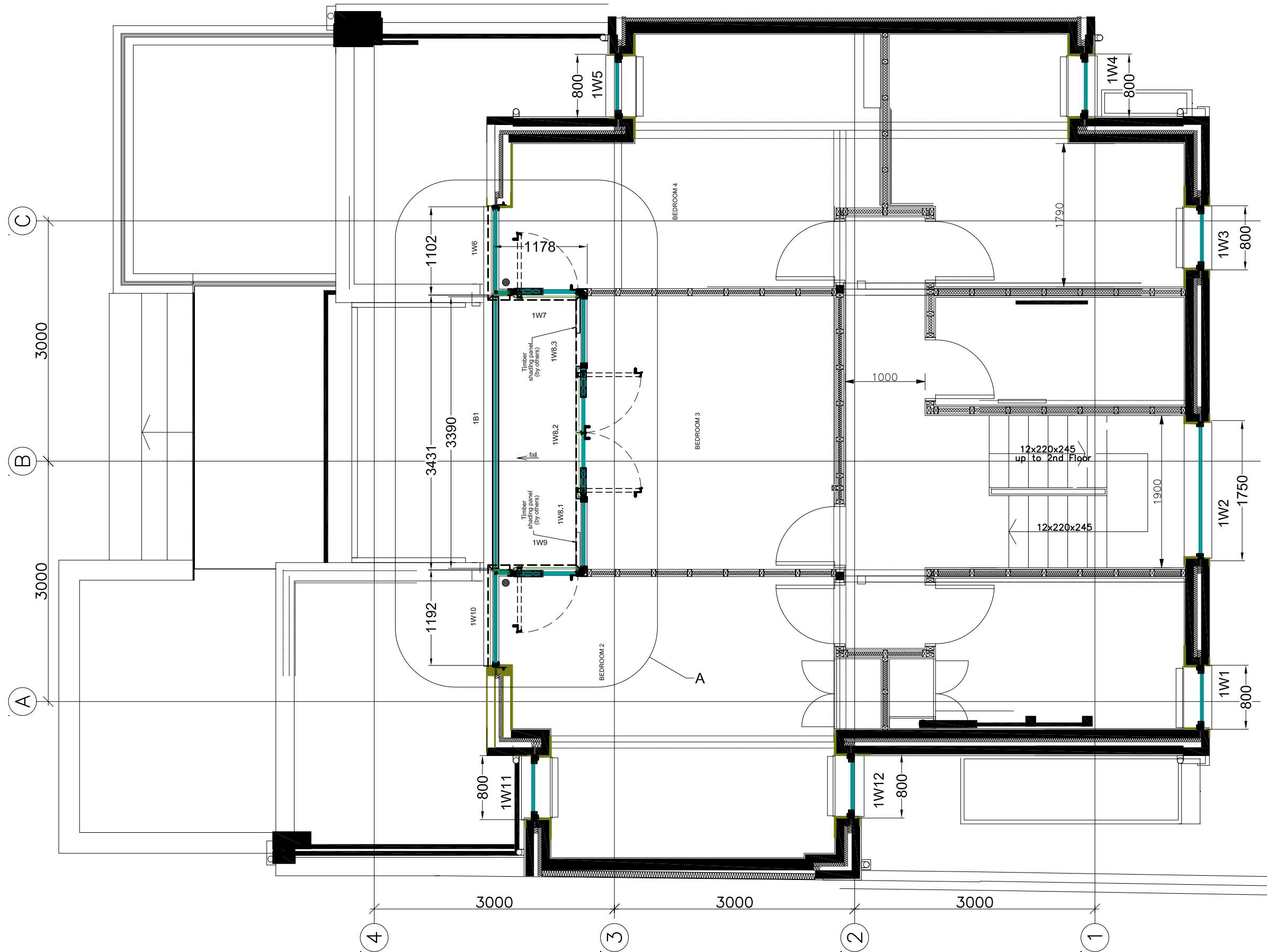
Drawing No:	001	Rev	C
-------------	-----	-----	---

Drawn BY:	DZ	Scale:	1:50 @ A3
-----------	----	--------	-----------

Date: 14 December 2016

Status: Approval

FIRST FLOOR PLAN - PROP.



Doors, Windows, and Balustrade.

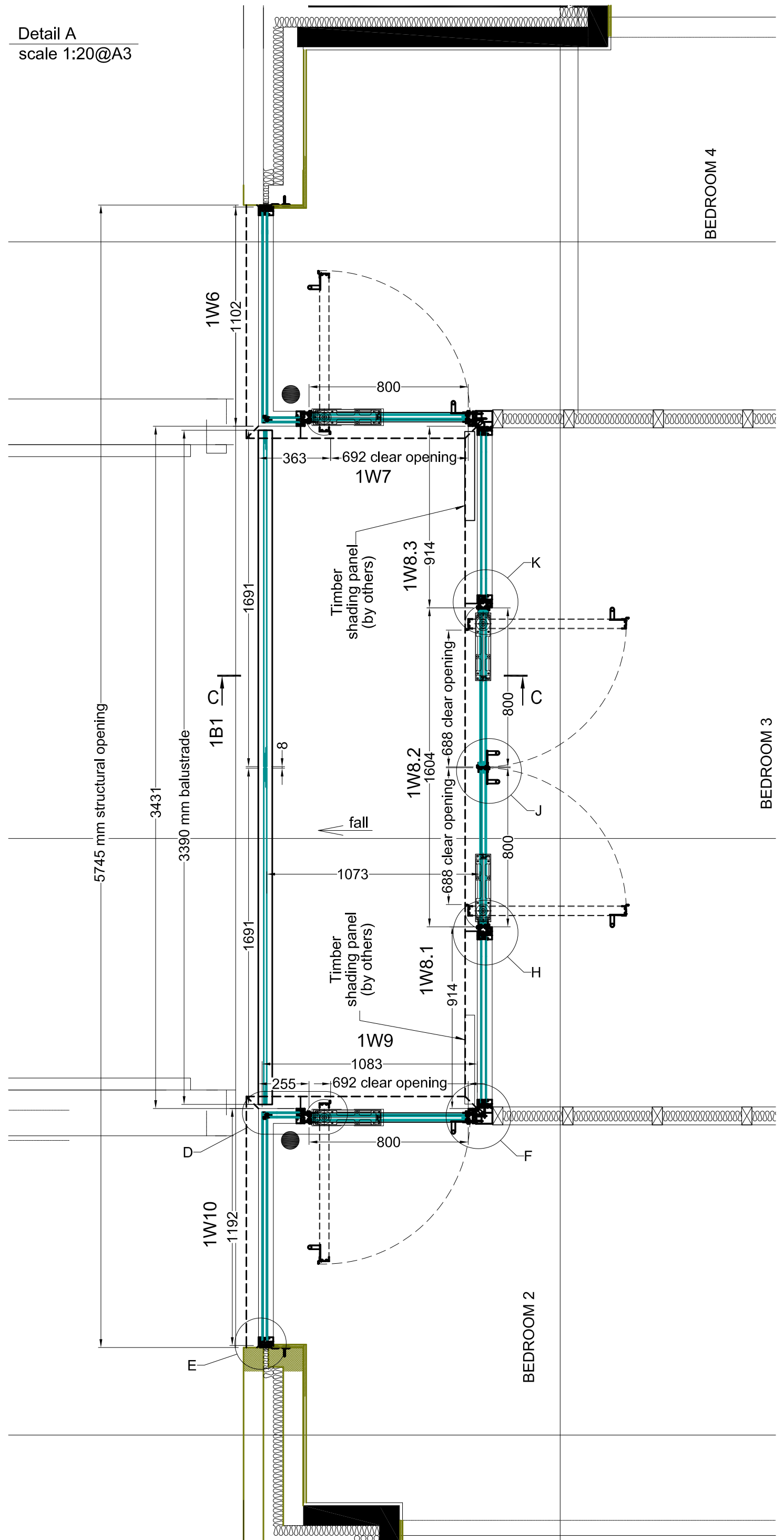
Architectural Glazing Solutions

SIZES ARE SUBJECT TO SITE SURVEY OR DETERMINED FROM AGREED STRUCTURAL OPENING DIMENSIONS PROVIDED BY MAIN CONTRACTOR.

ALL STRUCTURAL GROUNDS TO BE PREPARED BEFORE INSTALLATION.

Detail A
scale 1:20@A3

View B
→



C: Changed windows sections 30.03.17
B: Changed door sections 21.03.17
A: Changed sections 23.01.17

Sealtite Ltd

16-18 Kennet Road, Crayford
Postal Code: DA1 4QN
Tel: 01322 550 760
e-mail: info@sealtitewindows.co.uk

Project:
5 Kemplay Road,
London, NW3

First Floor. Doors, Windows, and
Balustrade.
Detail A.

Drawing No:	002	Rev	C
-------------	-----	-----	---

Drawn BY:	DZ	Scale:	1:20 @ A3
-----------	----	--------	-----------

Date:	14 December 2016
-------	------------------

Status:	Approval
---------	----------

Doors, Windows, and Balustrade.

Architectural Glazing Solutions

SIZES ARE SUBJECT TO SITE SURVEY OR DETERMINED FROM AGREED STRUCTURAL OPENING DIMENSIONS PROVIDED BY MAIN CONTRACTOR.

ALL STRUCTURAL GROUNDS TO BE PREPARED BEFORE INSTALLATION.

View B.



C: Changed windows sections 30.03.17
 B: Changed door sections 21.03.17
 A: Changed door system 18.03.17

Sealtite Ltd
 16-18 Kennet Road, Crayford
 Postal Code: DA1 4QN
 Tel: 01322 550 760
 e-mail: Info@sealtitewindows.co.uk

Project:
 5 Kemplay Road,
 London, NW3

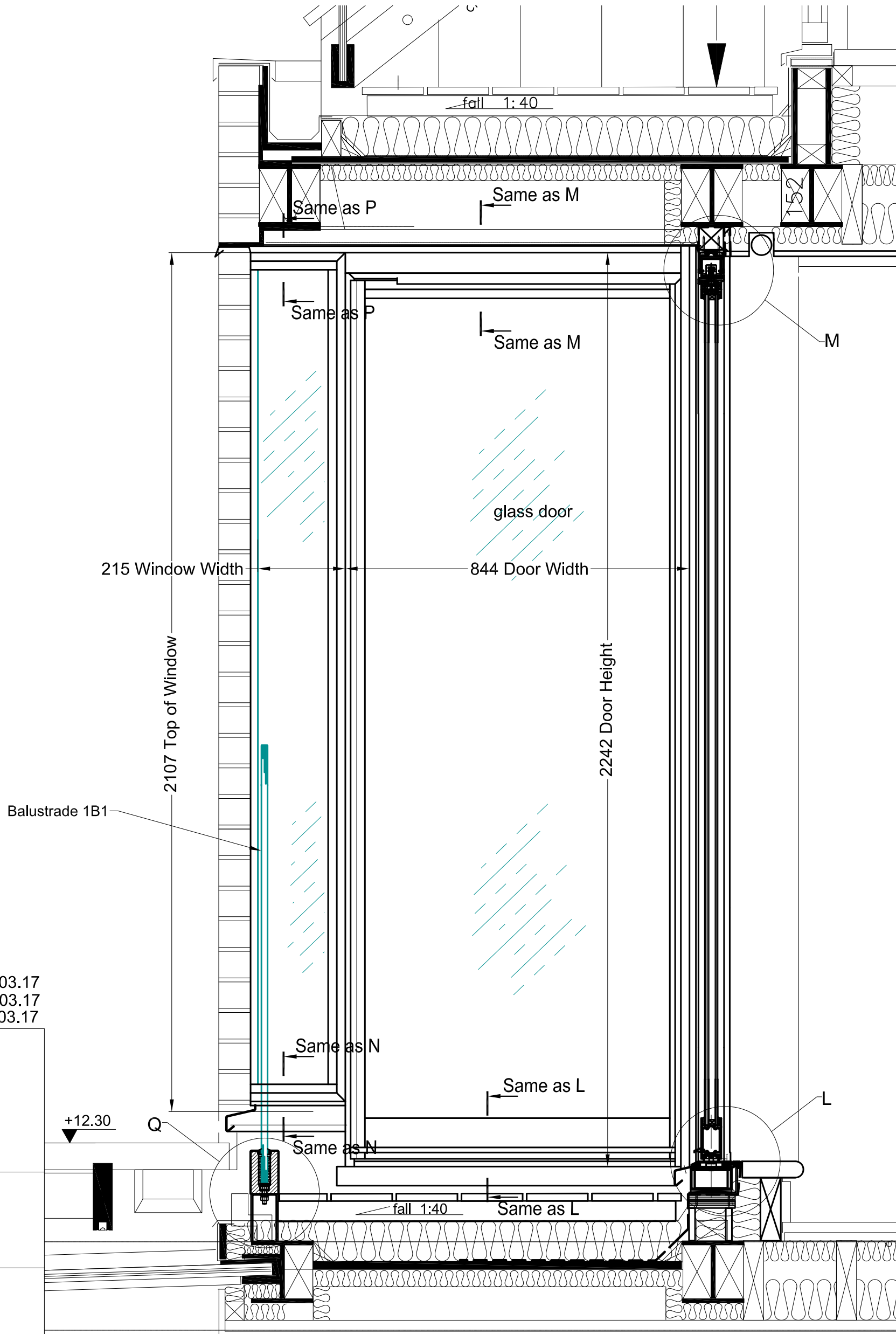
Description:
 First Floor. Doors, Windows, and
 Balustrade.
 View B.

Drawing No:	003	Rev	C
Drawn BY:	DZ	Scale:	1:20 @ A3
Date:	14 Dcember 2016		
Status:	Approval		

SIZES ARE SUBJECT TO SITE SURVEY OR DETERMINED FROM AGREED STRUCTURAL OPENING DIMENSIONS PROVIDED BY MAIN CONTRACTOR.

ALL STRUCTURAL GROUNDS TO BE PREPARED BEFORE INSTALLATION.

Section C.



C: Changed windows sections 30.03.17
 B: Changed door sections 21.03.17
 A: Changed door system 18.03.17

Sealtite Ltd
 16-18 Kennet Road, Crayford
 Postal Code: DA1 4QN
 Tel: 01322 550 760
 e-mail: info@sealtitewindows.co.uk

Project:
 5 Kemplay Road,
 London, NW3

Description:
 First Floor. Doors, Windows, and
 Balustrade.
 Section C.

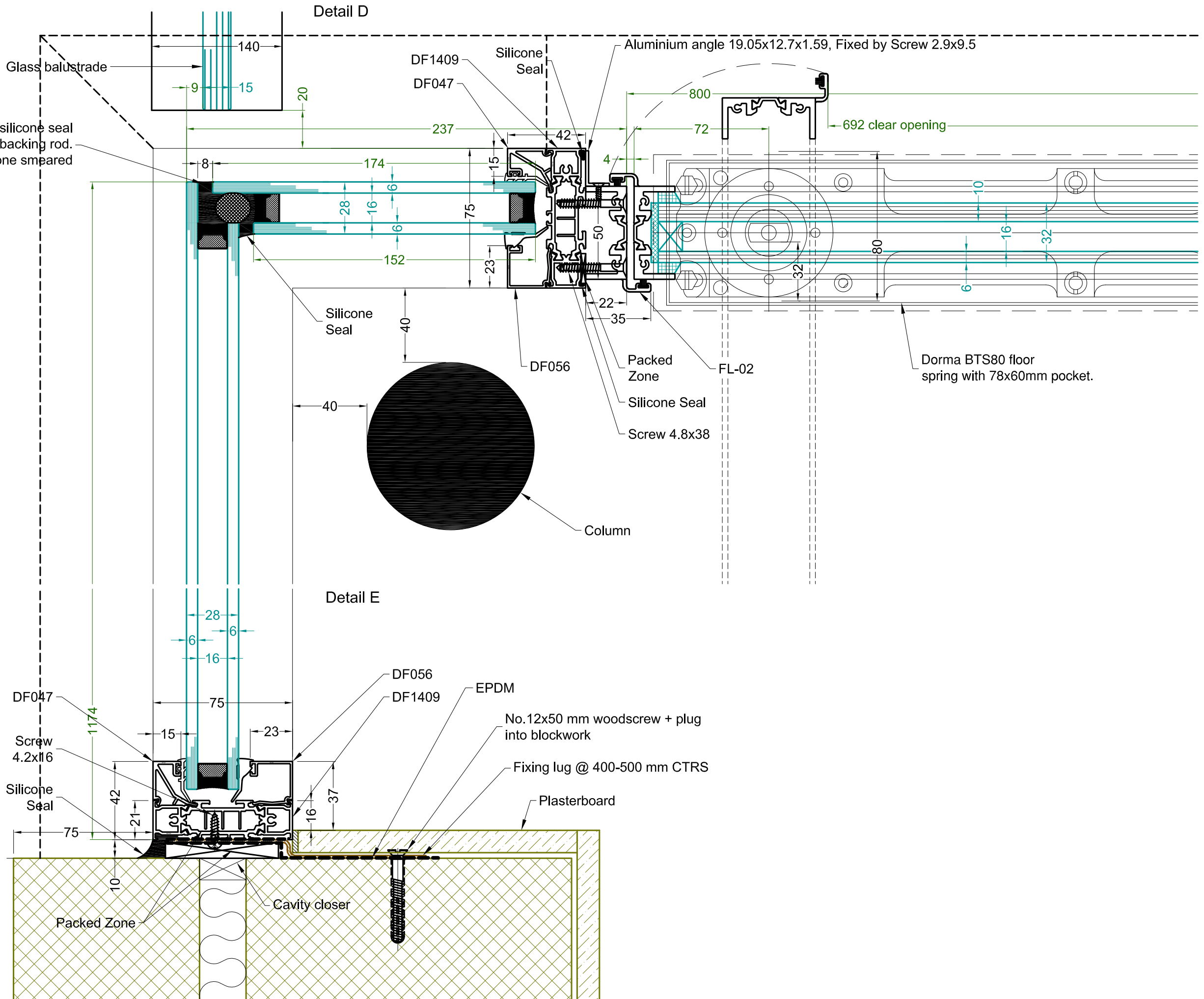
Drawing No:	004	Rev	C
Drawn BY:	DZ	Scale:	1:10 @ A3
Date:	14 Dcember 2016		
Status:	Approval		

Doors, Windows, and Balustrade.

Architectural Glazing Solutions

SIZES ARE SUBJECT TO SITE SURVEY OR DETERMINED FROM AGREED STRUCTURAL OPENING DIMENSIONS PROVIDED BY MAIN CONTRACTOR.

ALL STRUCTURAL GROUNDS TO BE PREPARED BEFORE INSTALLATION.



C: Changed windows sections 30.03.17
 B: Changed door sections 21.03.17
 A: Changed sections 23.01.17

Sealtite Ltd
 16-18 Kennet Road, Crayford
 Postal Code: DA1 4QN
 Tel: 01322 550 760
 e-mail: info@sealtitewindows.co.uk

Project:
 5 Kemplay Road,
 London, NW3

Description:
 First Floor. Doors, Windows, and
 Balustrade.
 Details D, E.

Drawing No:	005	Rev	C
Drawn BY:	DZ	Scale:	1:2 @ A3
Date:	14 December 2016		
Status:	Approval		

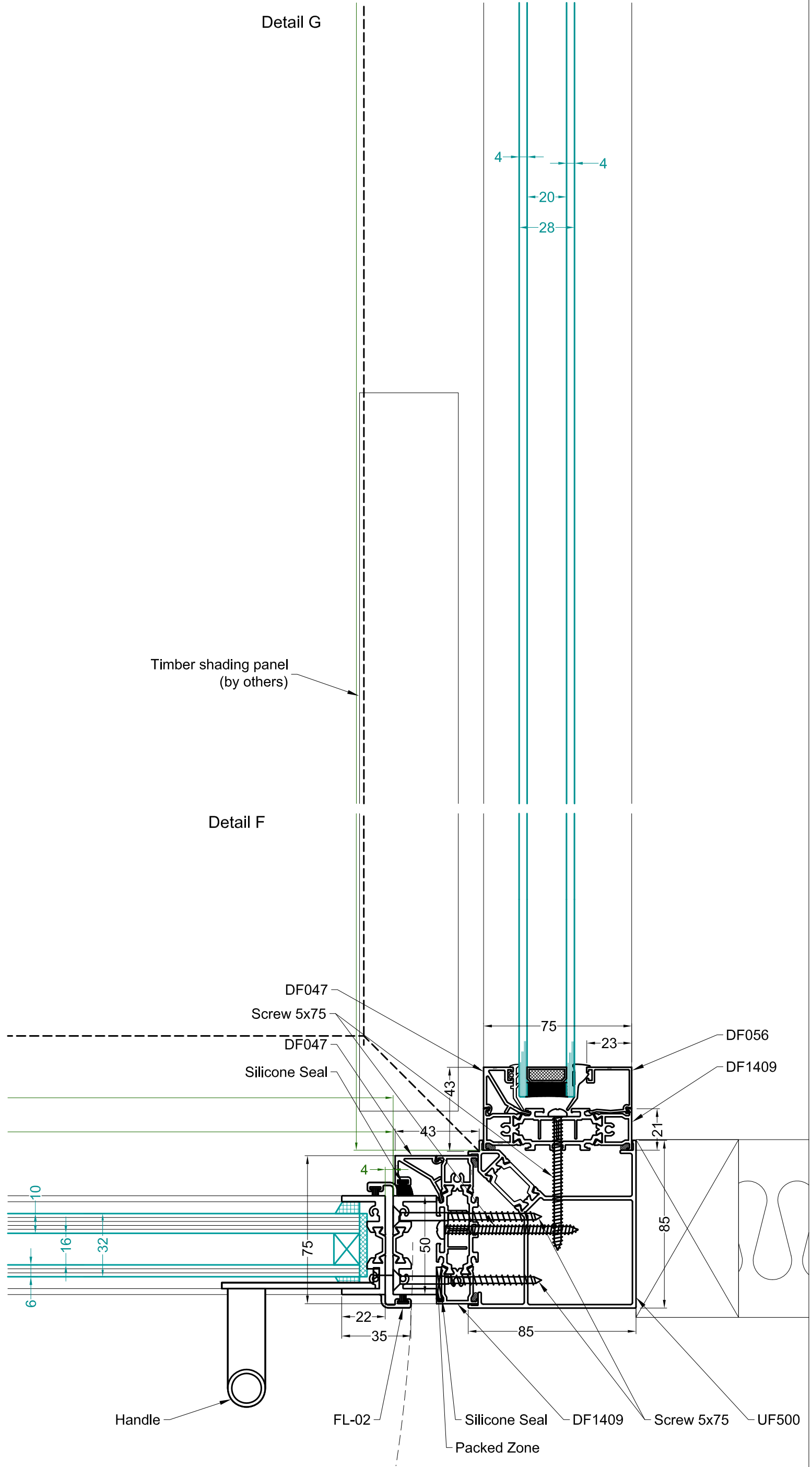
SIZES ARE SUBJECT TO SITE SURVEY OR DETERMINED FROM AGREED STRUCTURAL OPENING DIMENSIONS PROVIDED BY MAIN CONTRACTOR.

ALL STRUCTURAL GROUNDS TO BE PREPARED BEFORE INSTALLATION.

Detail G

Timber shading panel (by others)

Detail F



C: Changed windows sections 30.03.17
 B: Changed door sections 21.03.17
 A: Changed sections 23.01.17

Sealtite Ltd

16-18 Kennet Road, Crayford
 Postal Code: DA1 4QN
 Tel: 01322 550 760
 e-mail: info@sealtitewindows.co.uk

Project:
 5 Kemplay Road,
 London, NW3

Description:
 First Floor. Doors, Windows, and
 Balustrade.
 Detail F, G.

Drawing No:	006	Rev	C
-------------	-----	-----	---

Drawn BY:	DZ	Scale:	1:2 @ A3
-----------	----	--------	----------

Date:	14 December 2016
-------	------------------

Status:	Approval
---------	----------

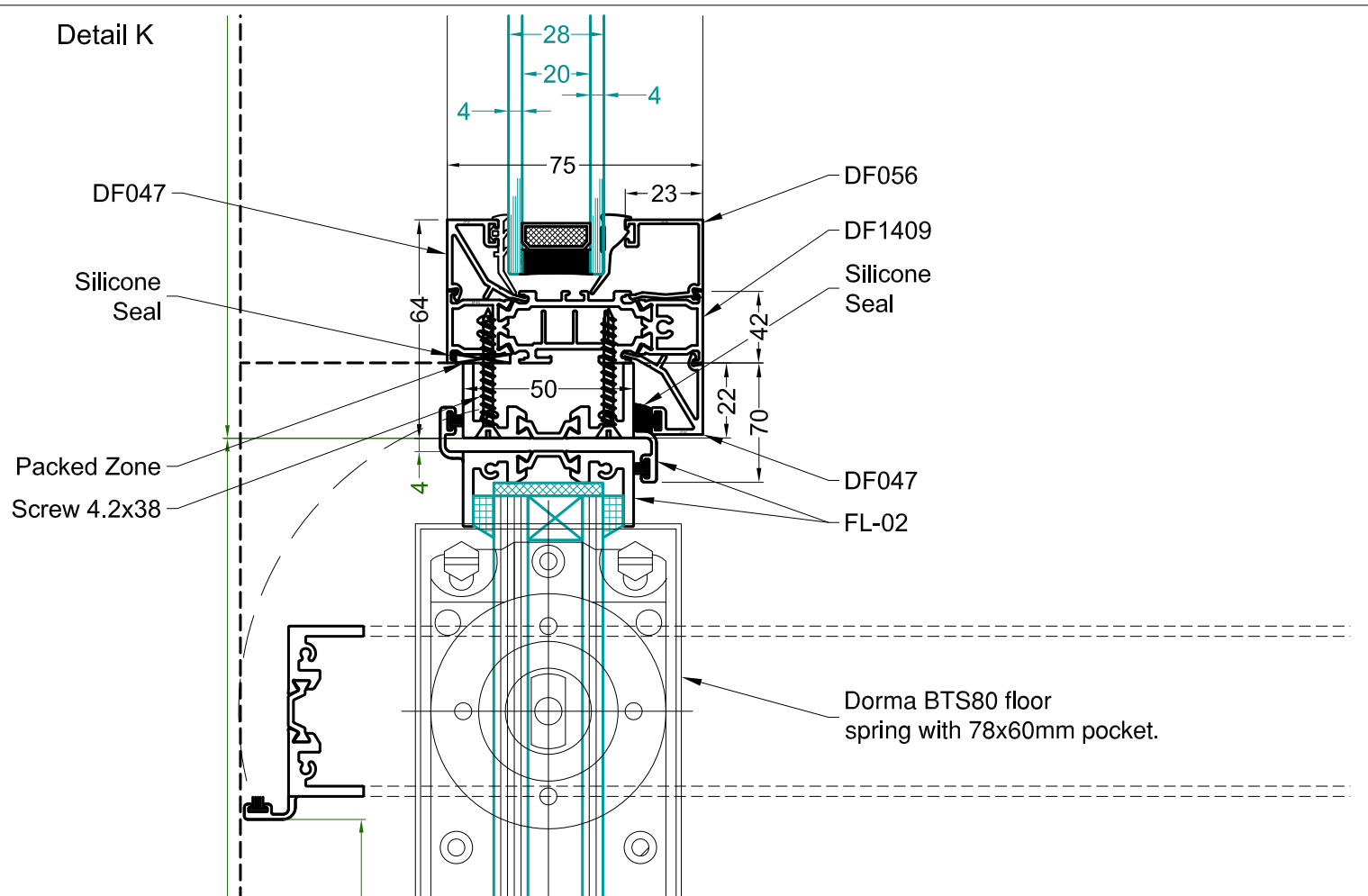
Doors, Windows, and Balustrade.

Architectural Glazing Solutions

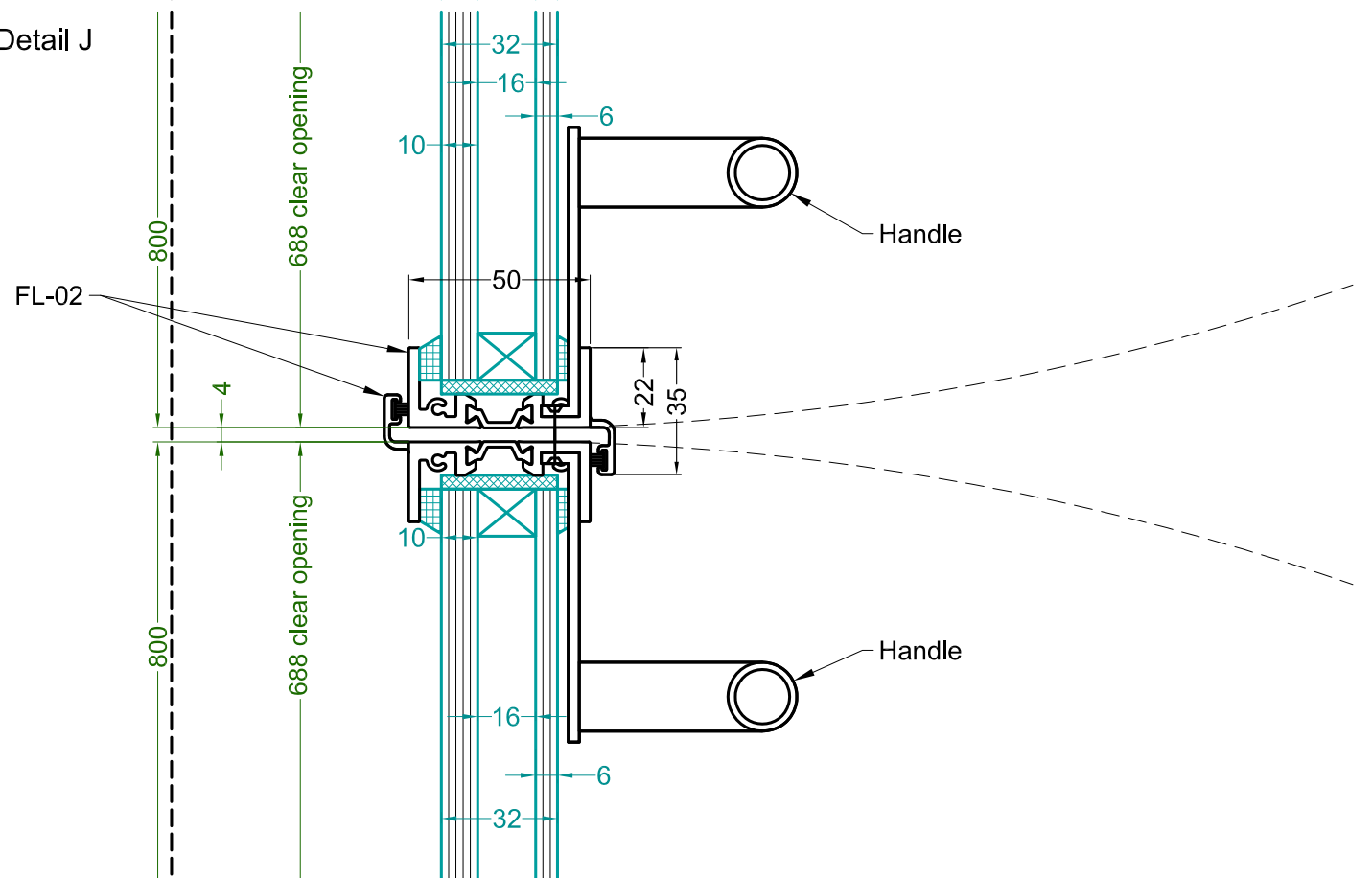
SIZES ARE SUBJECT TO SITE SURVEY OR DETERMINED FROM AGREED STRUCTURAL OPENING DIMENSIONS PROVIDED BY MAIN CONTRACTOR.

ALL STRUCTURAL GROUNDS TO BE PREPARED BEFORE INSTALLATION.

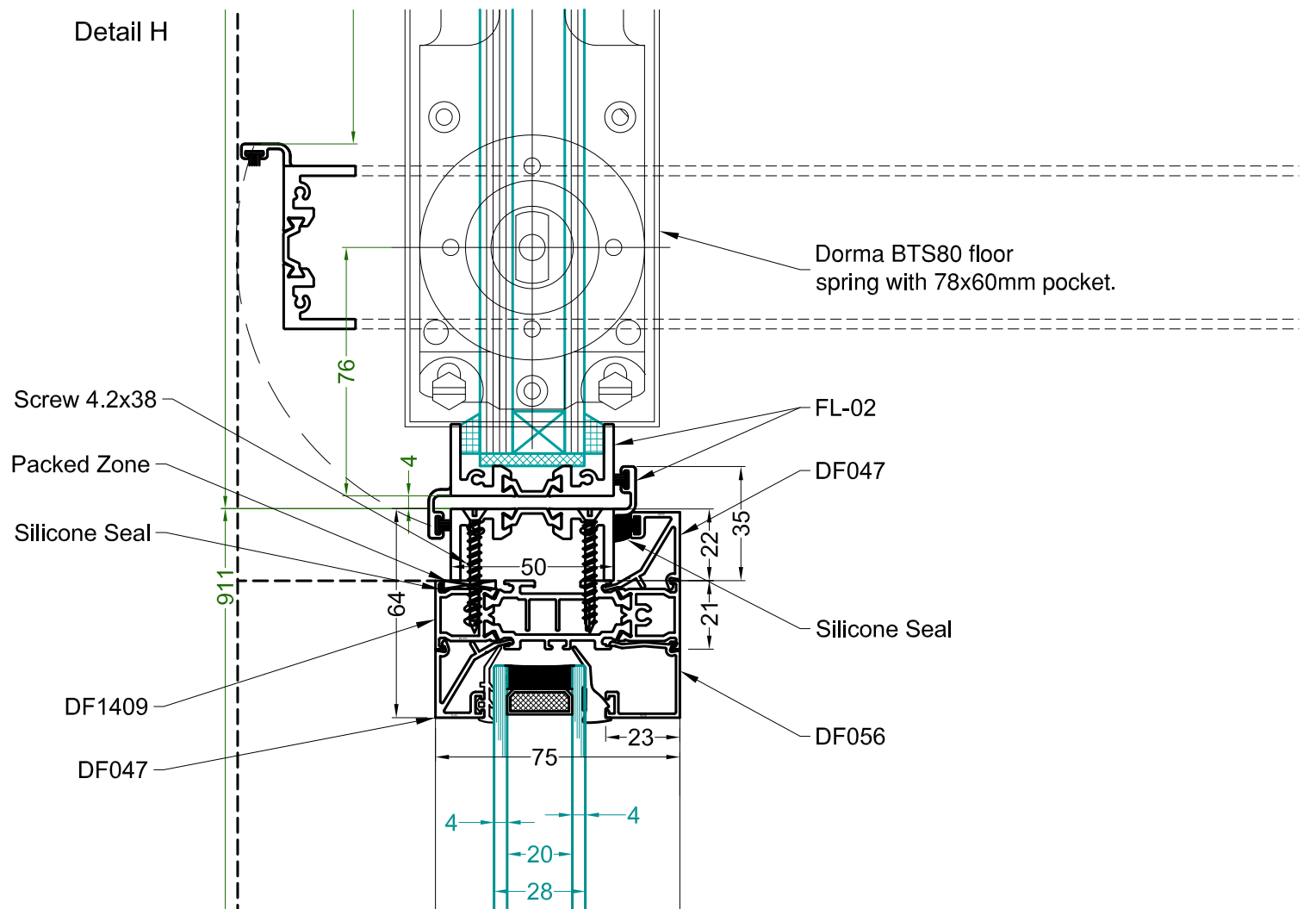
Detail K



Detail J



Detail H



C: Changed windows sections 30.03.17
 B: Changed door sections 21.03.17
 A: Changed sections 23.01.17

Sealtite Ltd
 16-18 Kennet Road, Crayford
 Postal Code: DA1 4QN
 Tel: 01322 550 760
 e-mail: info@sealtitewindows.co.uk

Project:
 5 Kemplay Road,
 London, NW3

Description:
 First Floor. Doors, Windows, and
 Balustrade.
 Detail H, J, K.

Drawing No:	007	Rev	C
-------------	-----	-----	---

Drawn BY:	DZ	Scale:	1:2 @ A3
-----------	----	--------	----------

Date:	14 December 2016
-------	------------------

Status:	Approval
---------	----------

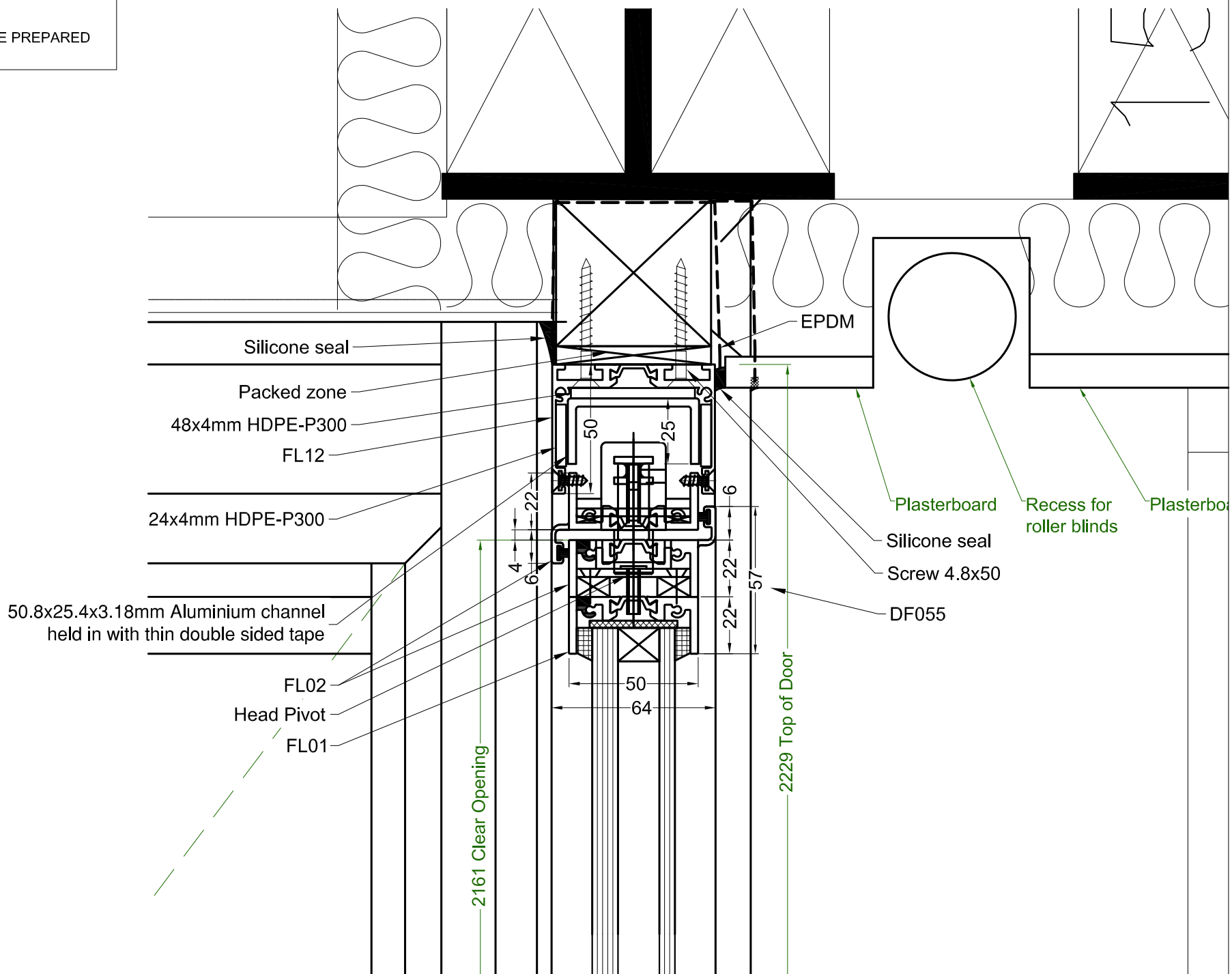
Doors, Windows, and Balustrade.

Architectural Glazing Solutions

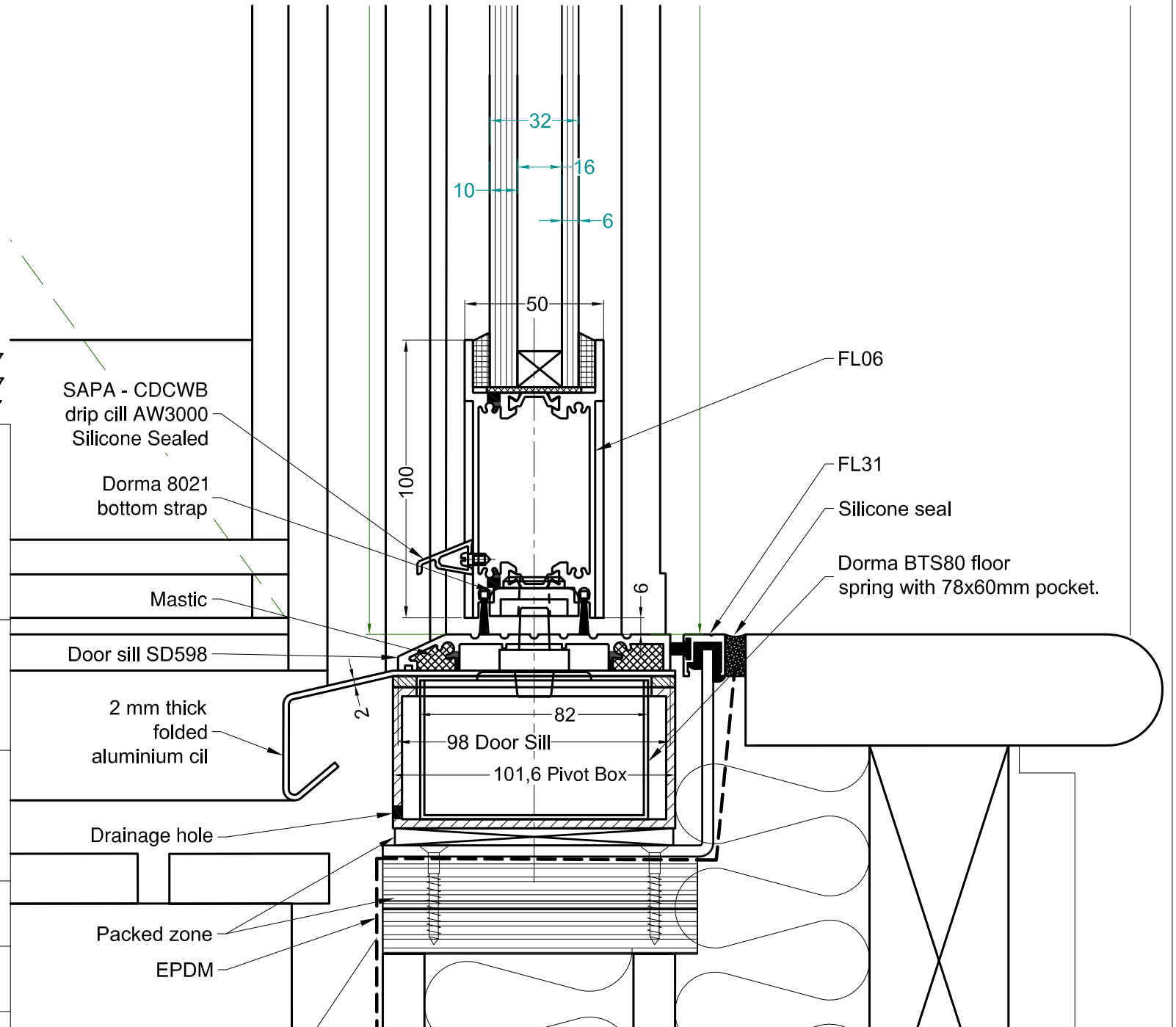
SIZES ARE SUBJECT TO SITE SURVEY OR DETERMINED FROM AGREED STRUCTURAL OPENING DIMENSIONS PROVIDED BY MAIN CONTRACTOR.

ALL STRUCTURAL GROUNDS TO BE PREPARED BEFORE INSTALLATION.

Detail M.



Detail L.



C: Changed windows sections 30.03.17
 B: Changed door sections 21.03.17
 A: Changed door system 18.03.17

Sealtite Ltd
 16-18 Kennet Road, Crayford
 Postal Code: DA1 4QN
 Tel: 01322 550 760
 e-mail: info@sealtitewindows.co.uk

Project:
 5 Kemplay Road,
 London, NW3

Description:
 First Floor. Doors, Windows, and
 Balustrade.
 Detail L, M.

Drawing No:	008	Rev	C
-------------	-----	-----	---

Drawn BY:	DZ	Scale:	1:2 @ A3
-----------	----	--------	----------

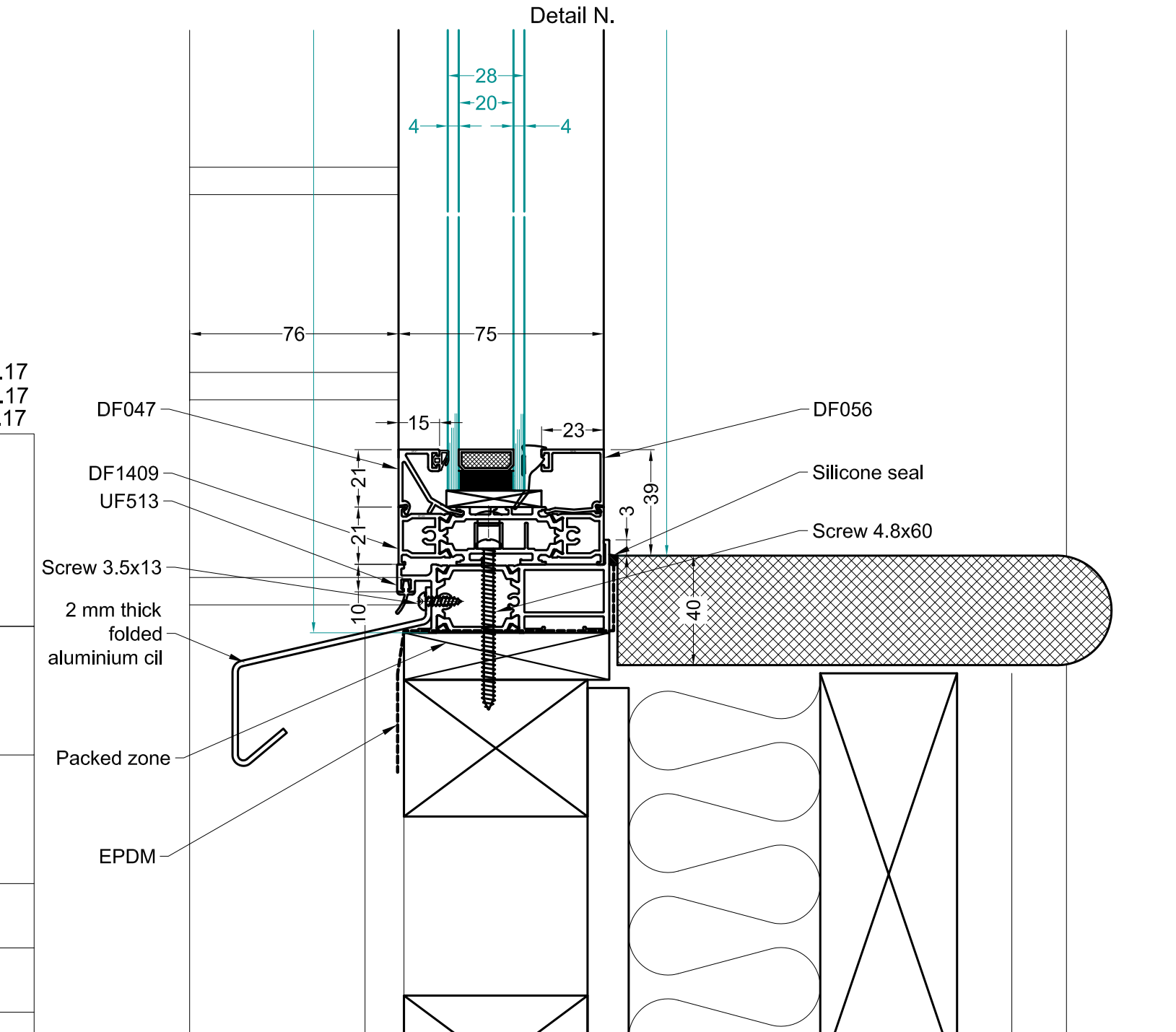
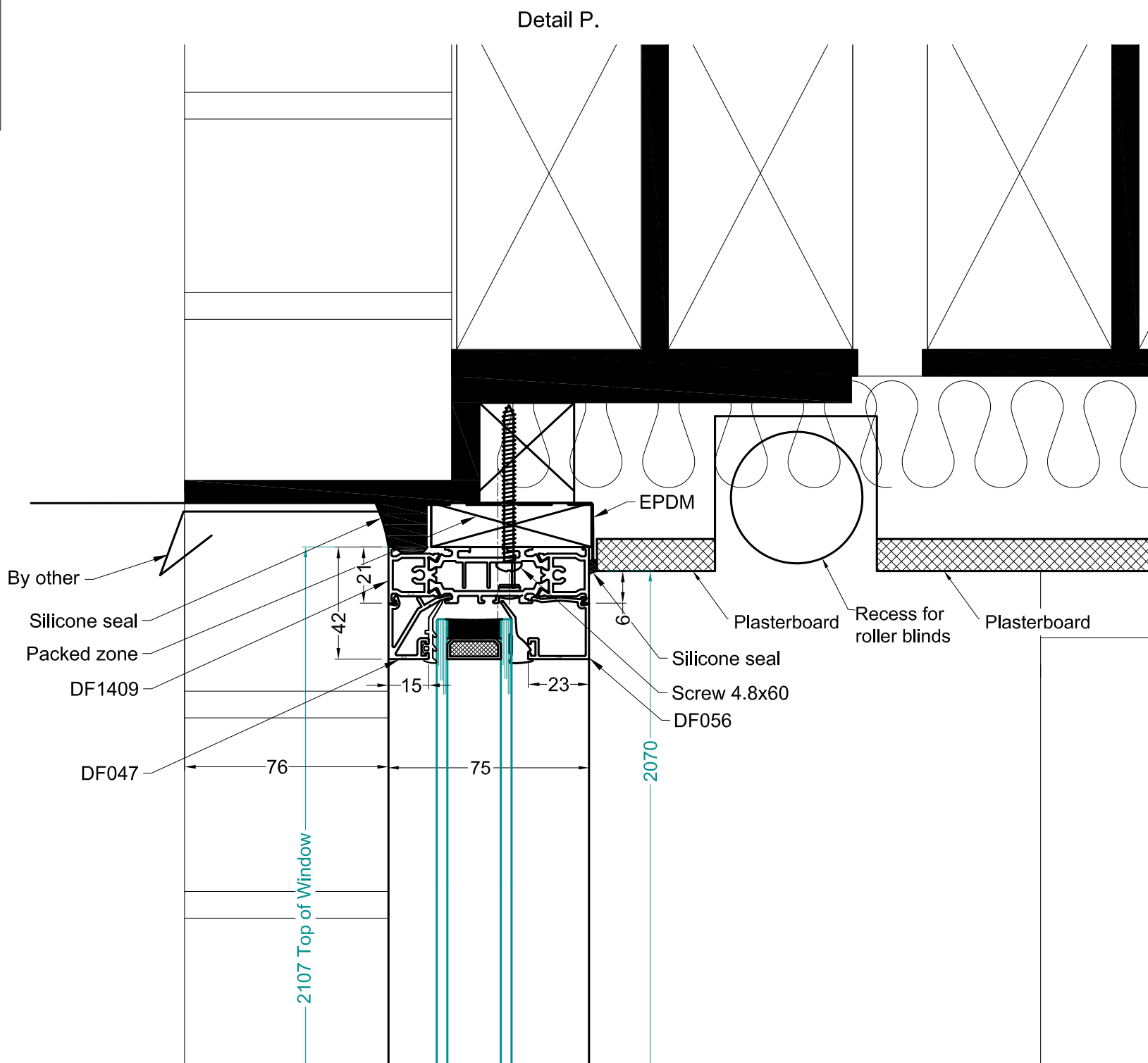
Date:	14 Dcember 2016
-------	-----------------

Status:	Approval
---------	----------

Doors, Windows, and Balustrade.

SIZES ARE SUBJECT TO SITE SURVEY OR DETERMINED FROM AGREED STRUCTURAL OPENING DIMENSIONS PROVIDED BY MAIN CONTRACTOR.

ALL STRUCTURAL GROUNDS TO BE PREPARED BEFORE INSTALLATION.



C: Changed windows sections 30.03.17
 B: Changed door sections 21.03.17
 A: Changed door system 18.03.17

Sealtite Ltd
 16-18 Kennet Road, Crayford
 Postal Code: DA1 4QN
 Tel: 01322 550 760
 e-mail: info@sealtitewindows.co.uk

Project:
 5 Kemplay Road,
 London, NW3

Description:
 First Floor. Doors, Windows, and
 Balustrade.
 Detail N, P.

Drawing No:	009	Rev	C
-------------	-----	-----	---

Drawn BY:	DZ	Scale:	1:2 @ A3
-----------	----	--------	----------

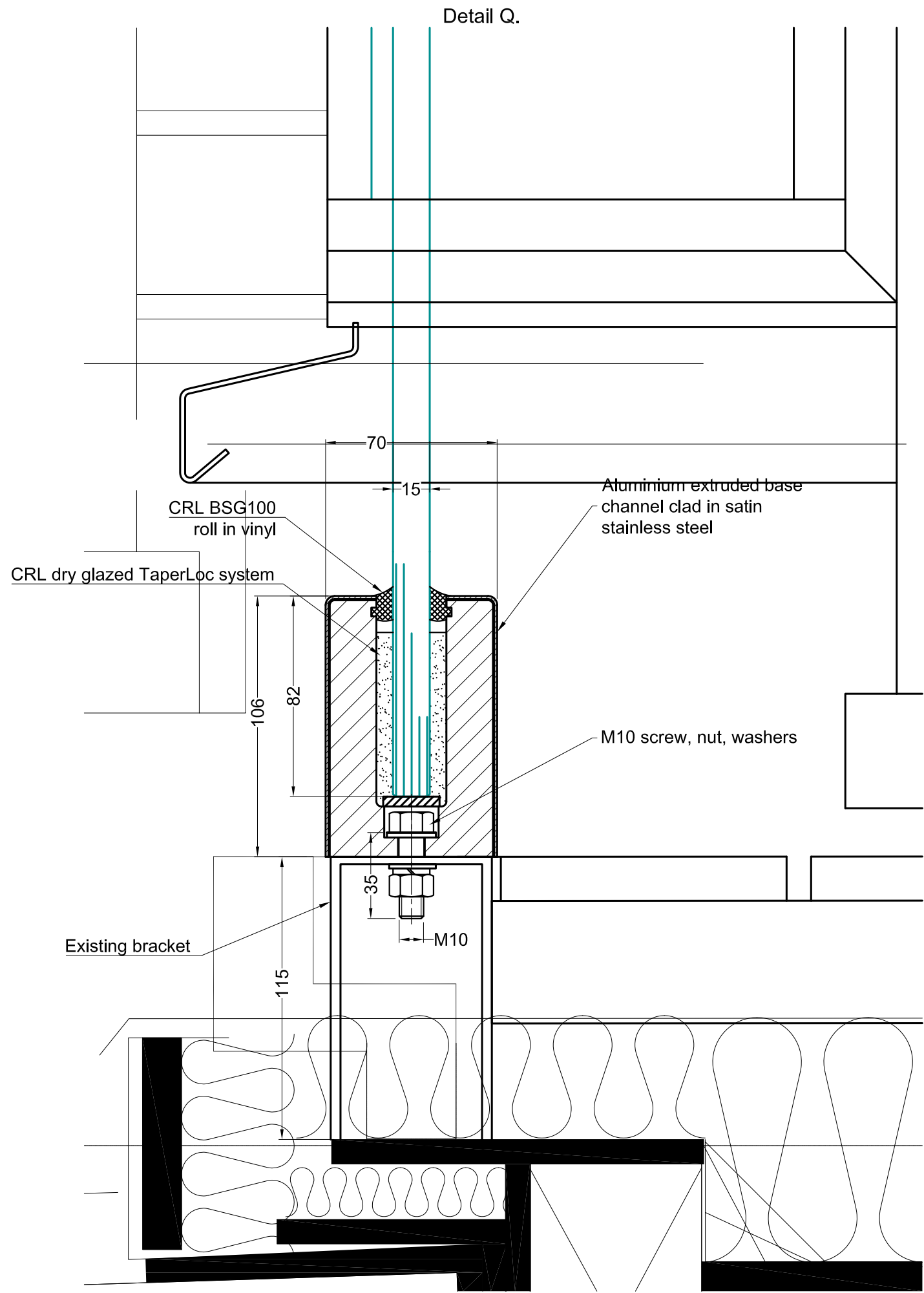
Date:	14 Dcember 2016
-------	-----------------

Status:	Approval
---------	----------

Doors, Windows, and Balustrade.

SIZES ARE SUBJECT TO SITE SURVEY OR DETERMINED FROM AGREED STRUCTURAL OPENING DIMENSIONS PROVIDED BY MAIN CONTRACTOR.

ALL STRUCTURAL GROUNDS TO BE PREPARED BEFORE INSTALLATION.



C: Changed windows sections 30.03.17
 B: Changed door sections 21.03.17
 A: Changed sections 23.01.17

Sealtite Ltd
 16-18 Kennet Road, Crayford
 Postal Code: DA1 4QN
 Tel: 01322 550 760
 e-mail: info@sealtitewindows.co.uk

Project:
 5 Kemplay Road,
 London, NW3

Description:
 First Floor. Doors, Windows, and
 Balustrade.
 Detail Q.

Drawing No:	010	Rev	C
Drawn BY:	DZ	Scale:	1:2 @ A3
Date:	14 Dcember 2016		
Status:	Approval		

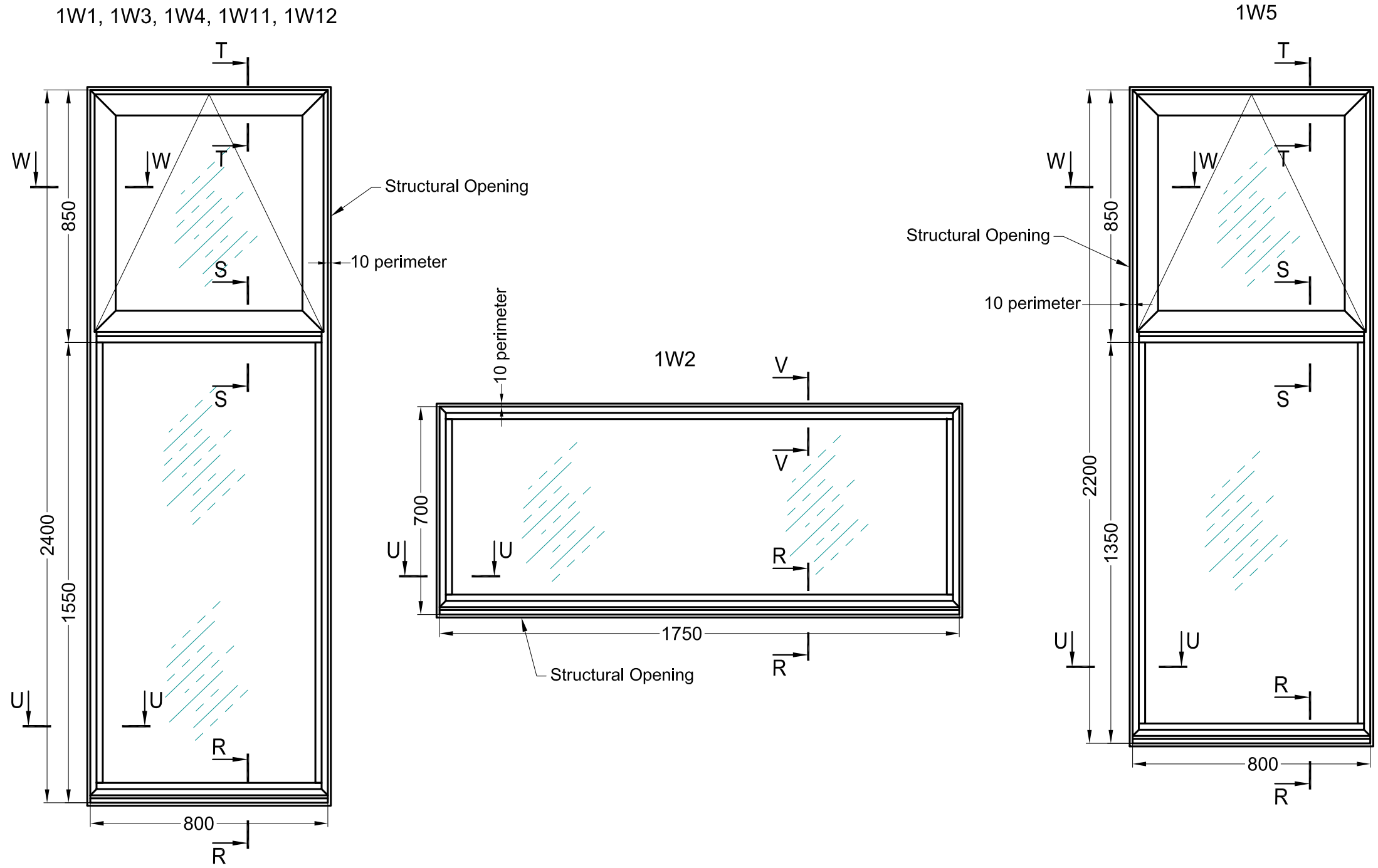
Doors, Windows, and Balustrade.

Architectural Glazing Solutions

SIZES ARE SUBJECT TO SITE SURVEY OR DETERMINED FROM AGREED STRUCTURAL OPENING DIMENSIONS PROVIDED BY MAIN CONTRACTOR.

ALL STRUCTURAL GROUNDS TO BE PREPARED BEFORE INSTALLATION.

Windows.
View from Outside.



C: Changed windows sections 30.03.17
 B: Changed door sections 21.03.17
 A: Changed sections 23.01.17

Sealtite Ltd
 16-18 Kennet Road, Crayford
 Postal Code: DA1 4QN
 Tel: 01322 550 760
 e-mail: Info@sealtitewindows.co.uk

Project:
 5 Kemplay Road,
 London, NW3

Description:
 First Floor. Doors, Windows, and
 Balustrade.
 Windows.

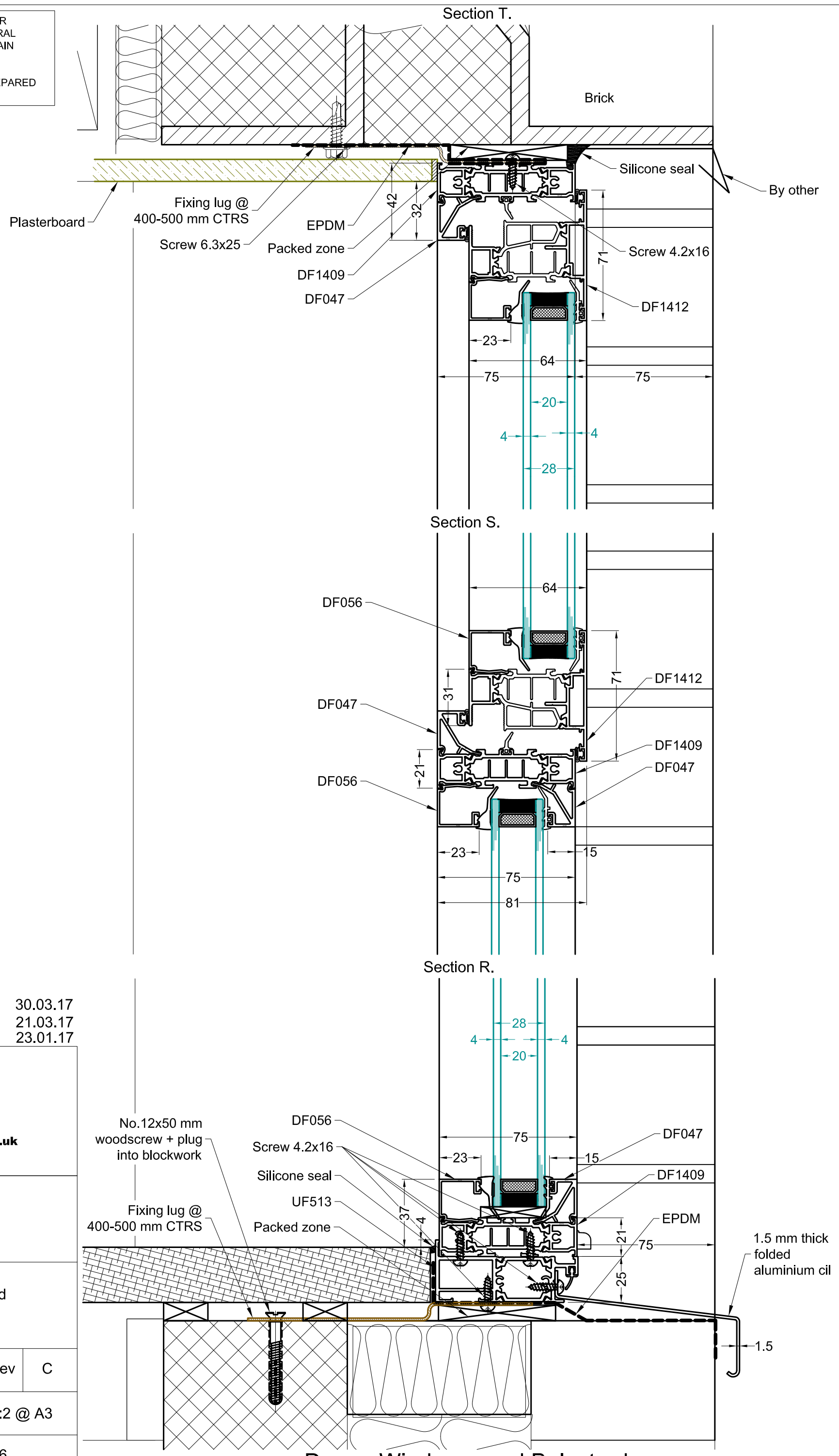
Drawing No:	011	Rev	C
Drawn BY:	DZ	Scale:	1:16 @ A3
Date:	14 Dcember 2016		
Status:	Approval		

Doors, Windows, and Balustrade.

Architectural Glazing Solutions

SIZES ARE SUBJECT TO SITE SURVEY OR DETERMINED FROM AGREED STRUCTURAL OPENING DIMENSIONS PROVIDED BY MAIN CONTRACTOR.

ALL STRUCTURAL GROUNDS TO BE PREPARED BEFORE INSTALLATION.



C: Changed windows sections 30.03.17
 B: Changed door sections 21.03.17
 A: Changed sections 23.01.17

Sealtite Ltd
 16-18 Kennet Road, Crayford
 Postal Code: DA1 4QN
 Tel: 01322 550 760
 e-mail: info@sealtitewindows.co.uk

Project:
 5 Kemplay Road,
 London, NW3

Description:
 First Floor. Doors, Windows, and
 Balustrade.
 Sections R S T.

Drawing No:	012	Rev	C
-------------	-----	-----	---

Drawn BY:	DZ	Scale:	1:2 @ A3
-----------	----	--------	----------

Date:	14 Dcember 2016
-------	-----------------

Status:	Approval
---------	----------

Doors, Windows, and Balustrade.

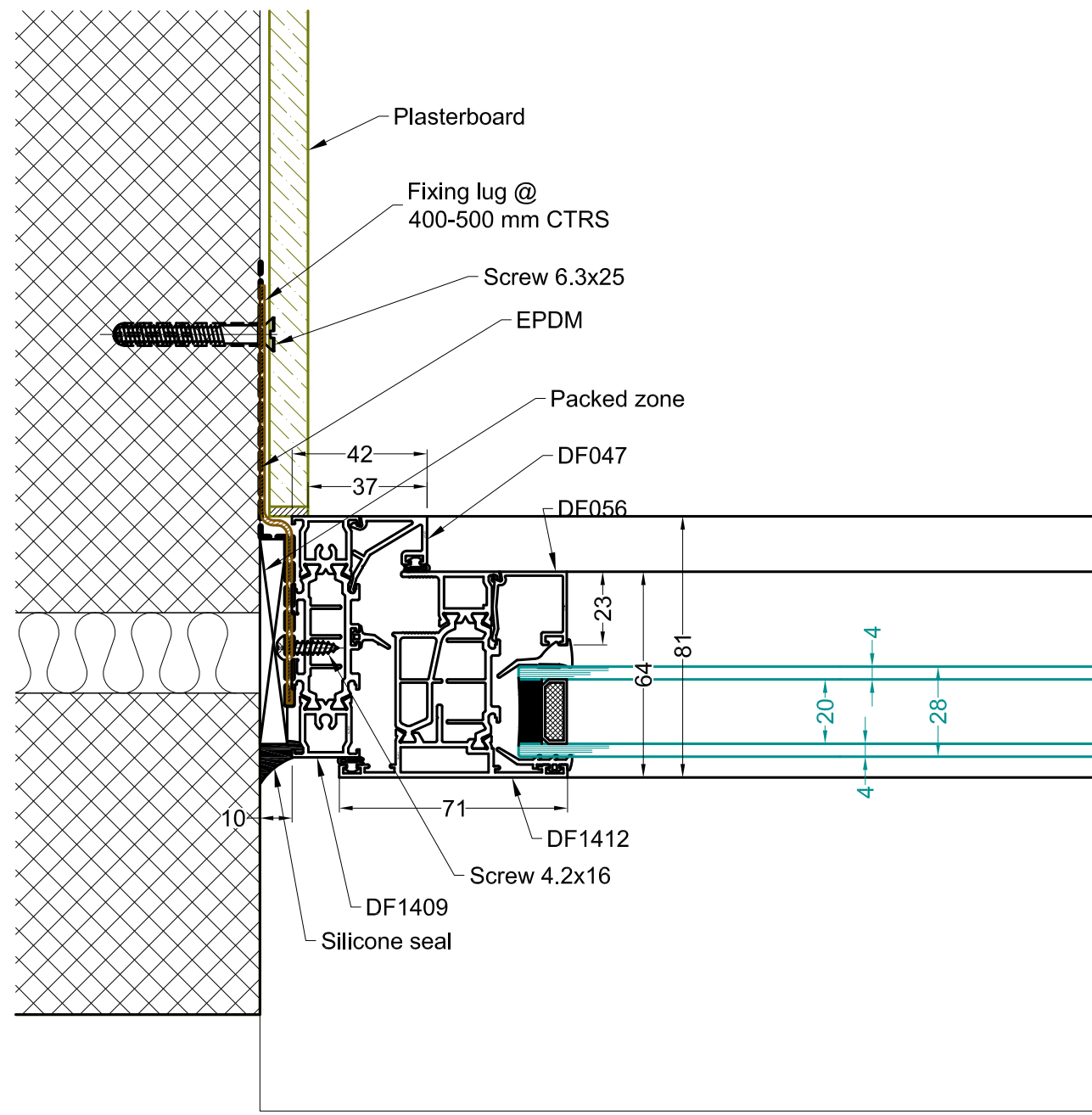
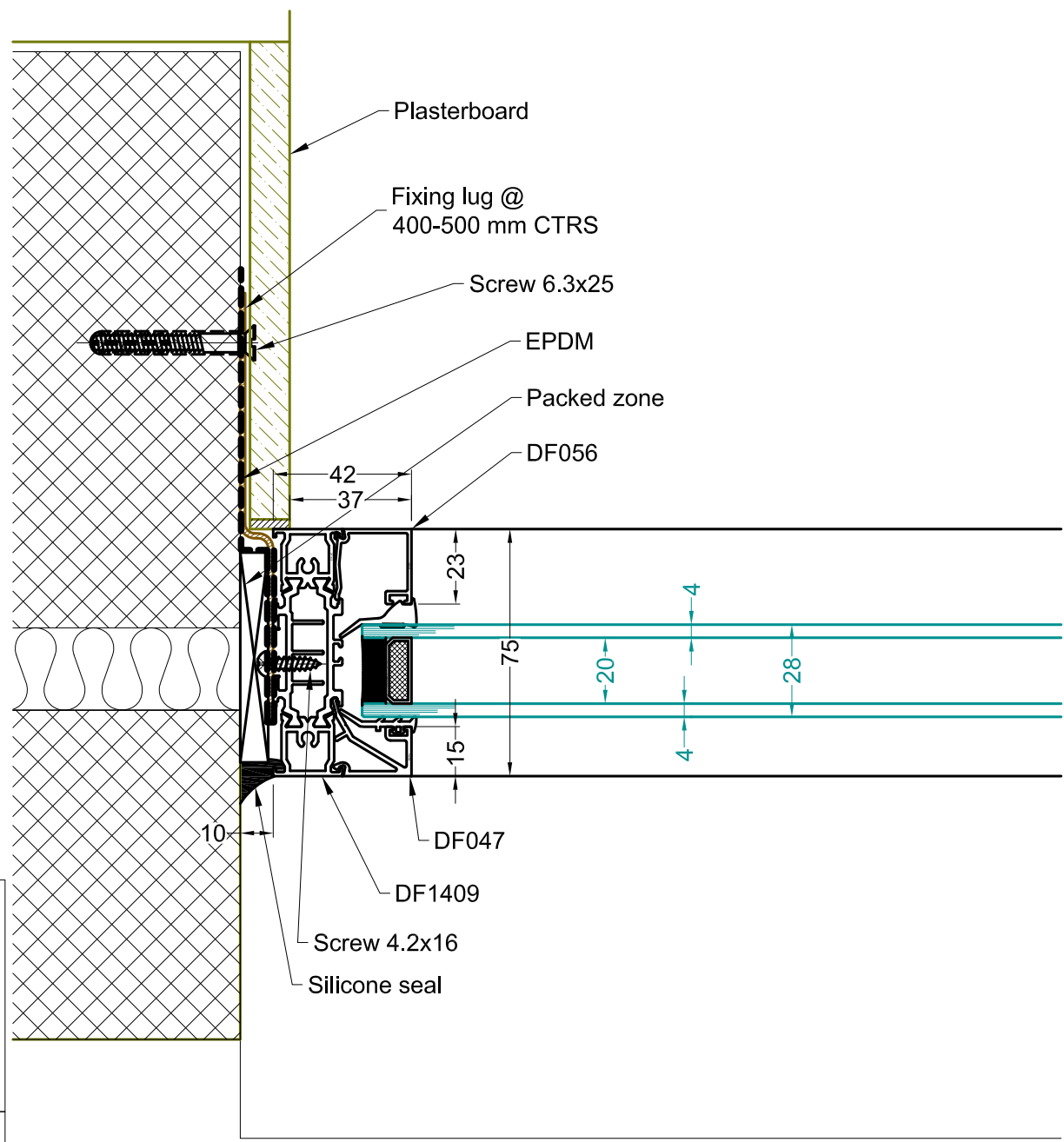
Architectural Glazing Solutions

SIZES ARE SUBJECT TO SITE SURVEY OR DETERMINED FROM AGREED STRUCTURAL OPENING DIMENSIONS PROVIDED BY MAIN CONTRACTOR.

ALL STRUCTURAL GROUNDS TO BE PREPARED BEFORE INSTALLATION.

Section U.

Section W.



C: Changed windows sections 30.03.17
 B: Changed door sections 21.03.17
 A: Changed sections 23.01.17

Sealtite Ltd
 16-18 Kennet Road, Crayford
 Postal Code: DA1 4QN
 Tel: 01322 550 760
 e-mail: info@sealtitewindows.co.uk

Project:
 5 Kemplay Road,
 London, NW3

Description:
 First Floor. Doors, Windows, and
 Balustrade.
 Sections U W.

Drawing No:	014	Rev	C
Drawn BY:	DZ	Scale:	1:2 @ A3
Date:	14 Dcember 2016		
Status:	Approval		