

SIZES ARE SUBJECT TO SITE SURVEY OR DETERMINED FROM AGREED STRUCTURAL OPENING DIMENSIONS PROVIDED BY MAIN CONTRACTOR.

ALL STRUCTURAL GROUNDS TO BE PREPARED BEFORE INSTALLATION.

NOTES:

Glass:  
 10 mm clear toughened, 1.5mm PVB, 10 mm clear toughened  
 20 mm spacer bar  
 6 mm clear toughened, low 'E' coating;

Metalwork:  
 50x50x3 mm extruded aluminium angles;  
 50x31x6 mm extruded aluminium angles;  
 50x19x3 mm extruded aluminium angles;  
 25x19x3mm extruded aluminium angles;  
 All PPC to standard RAL colour. Colour- TBC

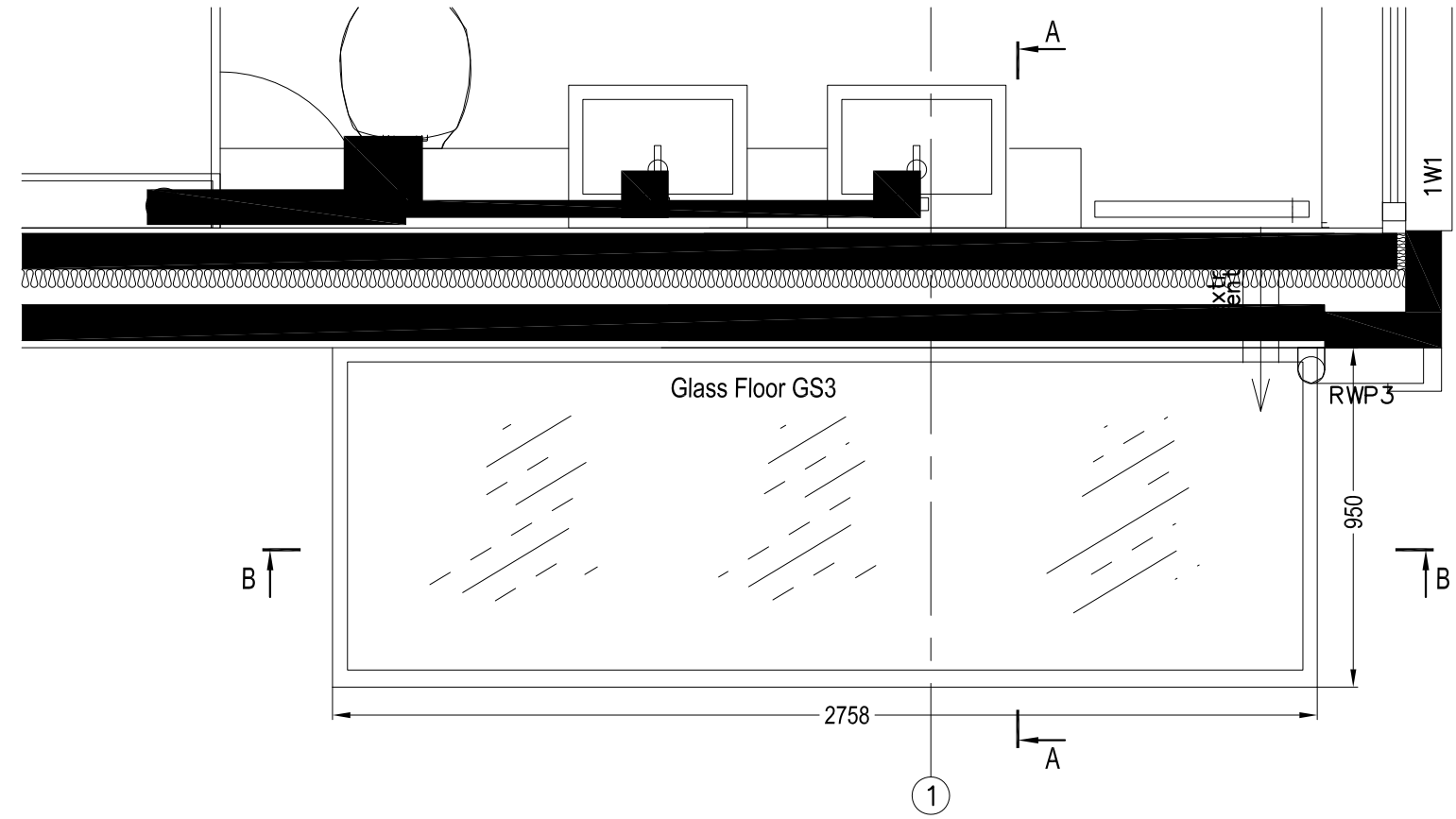
**Sealtite Ltd**  
 16-18 Kennet Road, Crayford  
 Postal Code: DA1 4QN  
 Tel: 01322 550 760  
 e-mail: info@sealtitewindows.co.uk

Project:  
 5 Kemplay Road,  
 London, NW3

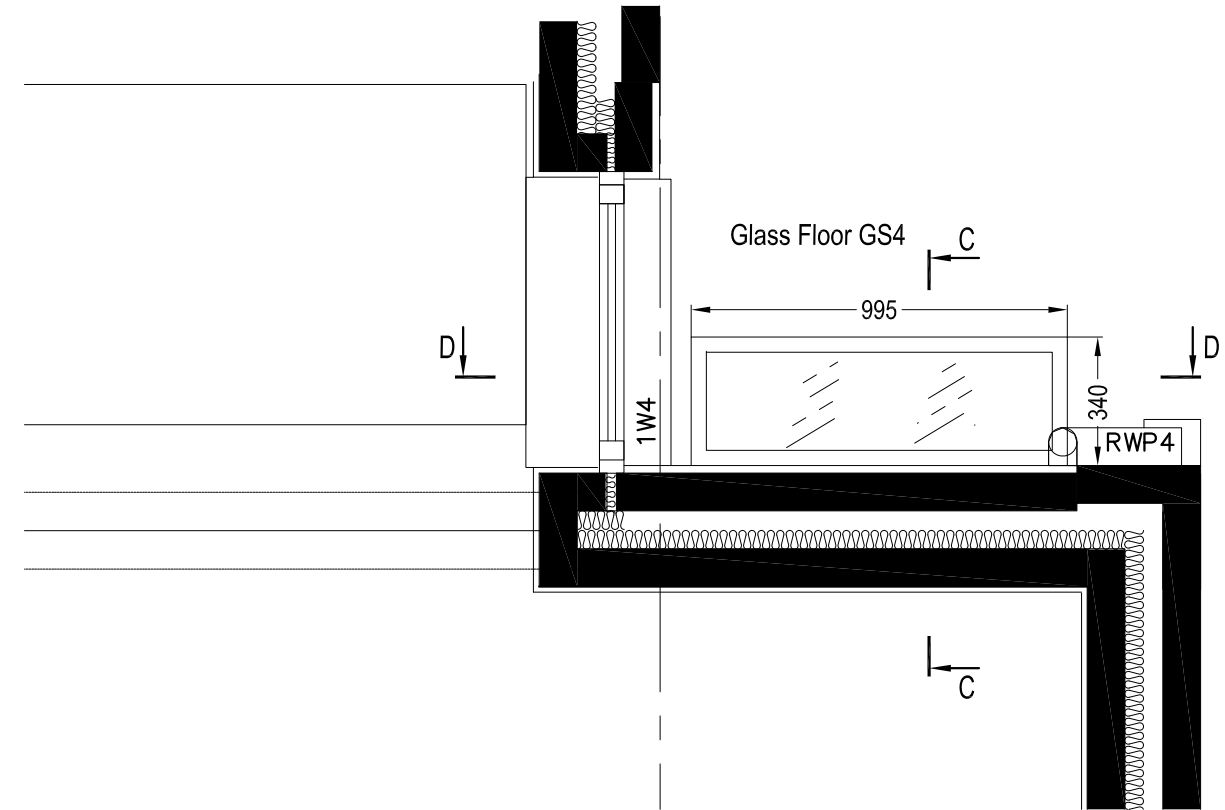
Description:  
 Ground Floor. Walk on glass floor GS3, GS4.  
 Plan Views.

Drawing No:	001	Rev	
Drawn BY:	DZ	Scale:	1:20 @ A3
Date:	21 April 2017		
Status:	Approval		

Plan View



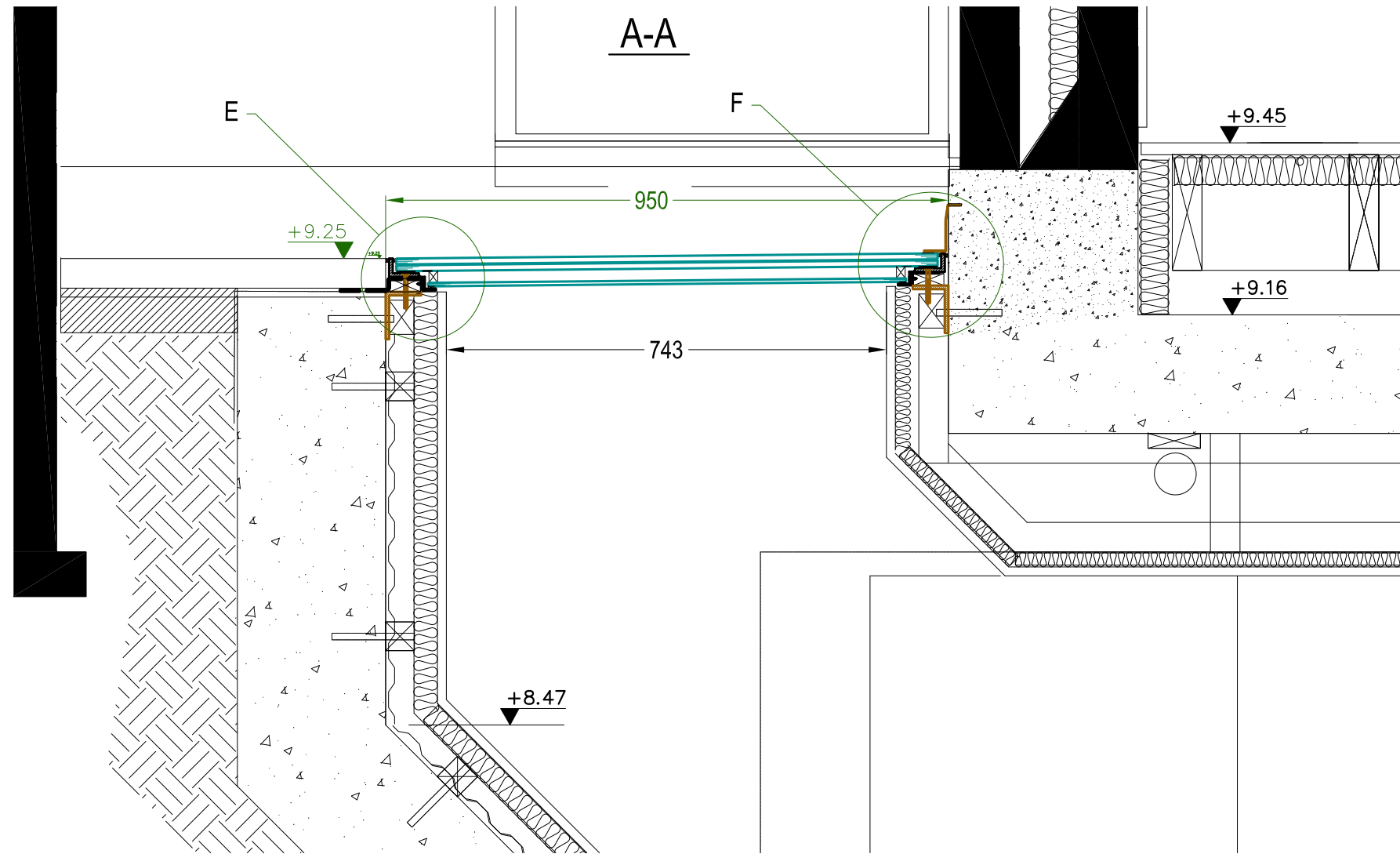
Plan View



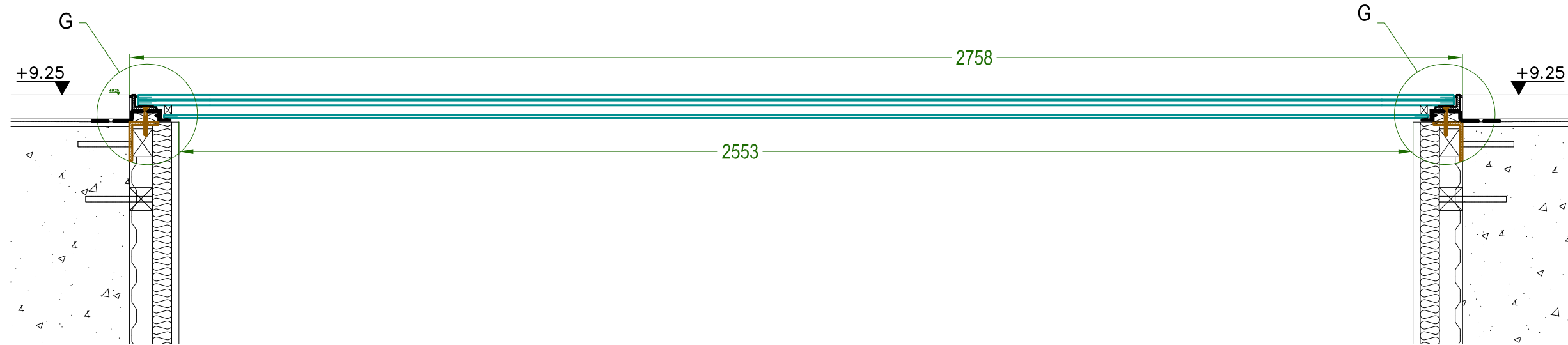
Ground Floor. Walk on glass floor GS3, GS4.

SIZES ARE SUBJECT TO SITE SURVEY OR DETERMINED FROM AGREED STRUCTURAL OPENING DIMENSIONS PROVIDED BY MAIN CONTRACTOR.

ALL STRUCTURAL GROUNDS TO BE PREPARED BEFORE INSTALLATION.



**A-A**



**B-B**

Ground Floor. Walk on glass floor GS3, GS4.

**Architectural Glazing Solutions**

**Sealtite Ltd**  
 16-18 Kennet Road, Crayford  
 Postal Code: DA1 4QN  
 Tel: 01322 550 760  
 e-mail: info@sealtitewindows.co.uk

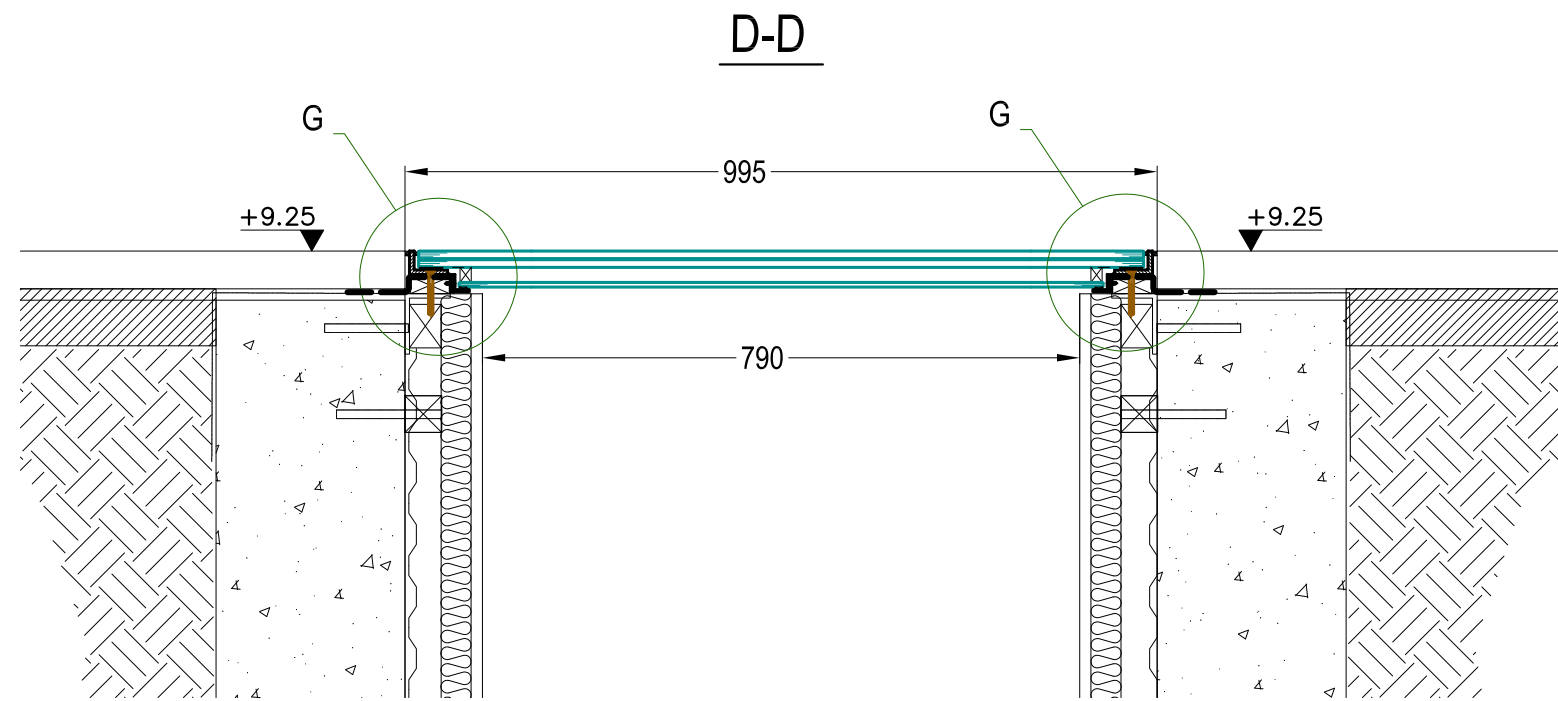
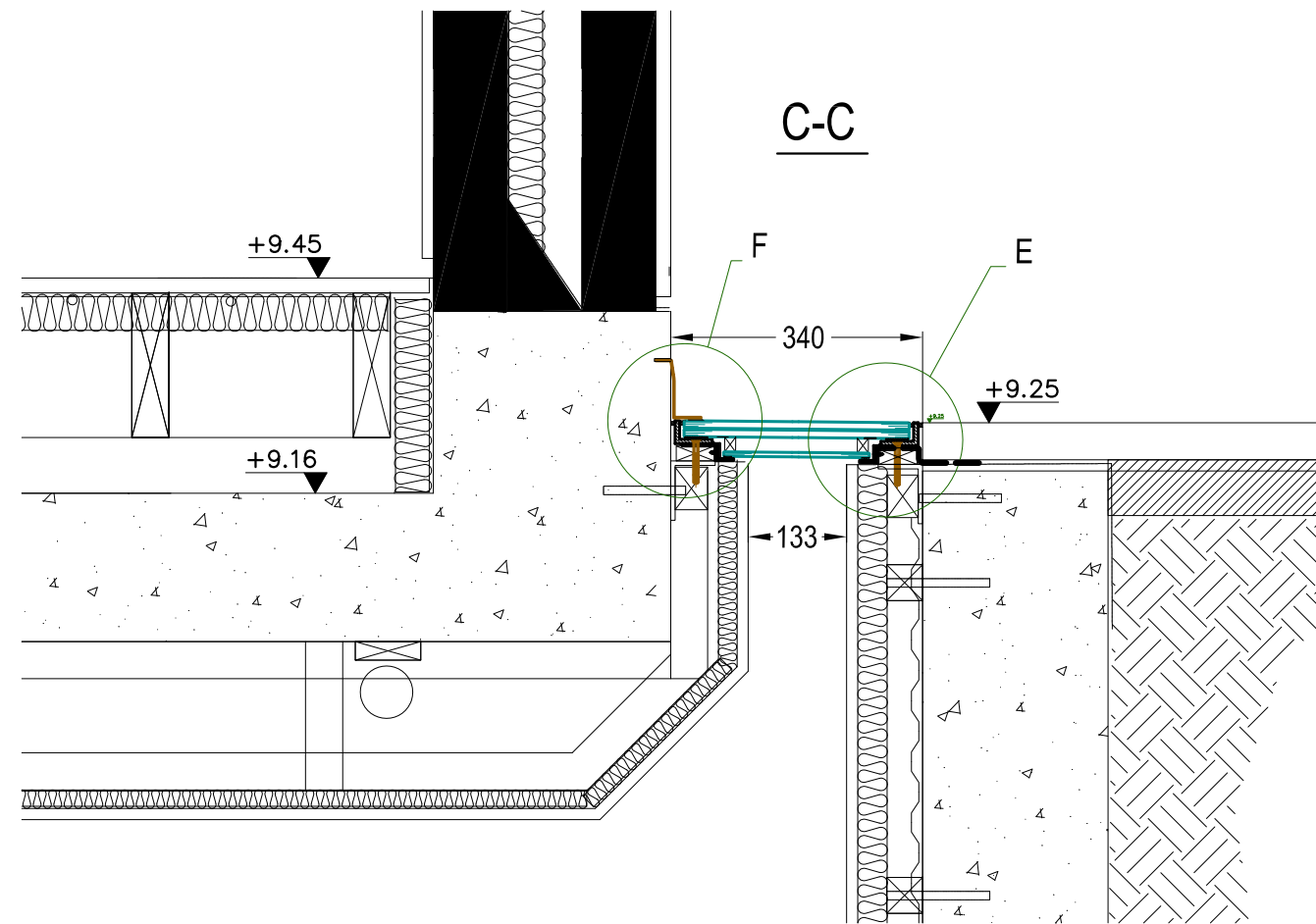
Project:  
 5 Kemplay Road,  
 London, NW3

Description:  
 Ground Floor. Walk on glass floor GS3, GS4.  
 Sections A, B.

Drawing No:	002	Rev	
Drawn BY:	DZ	Scale:	1:10 @ A3
Date:	21 April 2017		
Status:	Approval		

SIZES ARE SUBJECT TO SITE SURVEY OR DETERMINED FROM AGREED STRUCTURAL OPENING DIMENSIONS PROVIDED BY MAIN CONTRACTOR.

ALL STRUCTURAL GROUNDS TO BE PREPARED BEFORE INSTALLATION.



Ground Floor. Walk on glass floor GS3, GS4.

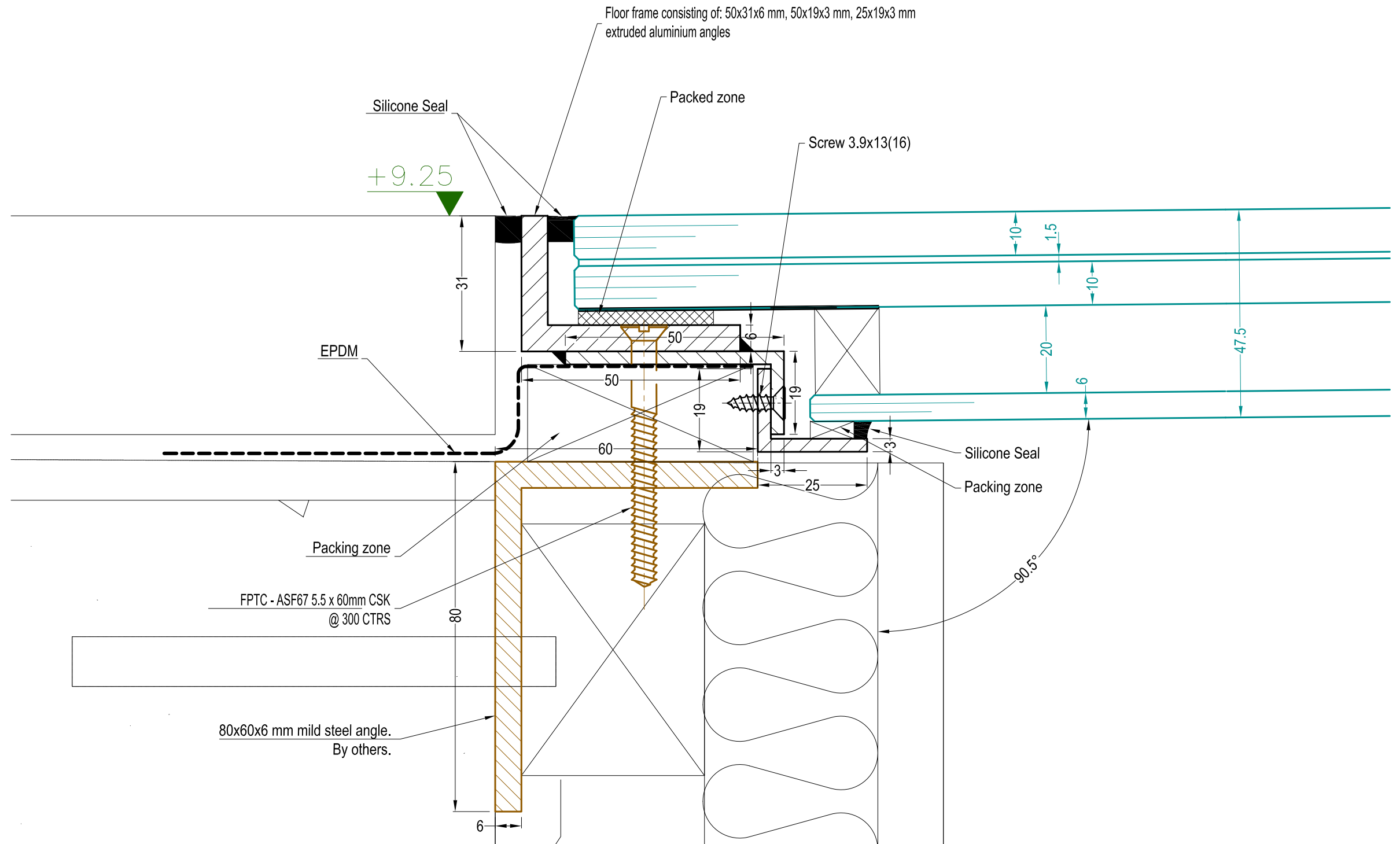
**Architectural Glazing Solutions**

<p><b>Sealtite Ltd</b>          16-18 Kennet Road, Crayford          Postal Code: DA1 4QN          Tel: 01322 550 760          e-mail: info@sealtitewindows.co.uk</p>			
<p>Project:          5 Kemplay Road,          London, NW3</p>			
<p>Description:          Ground Floor. Walk on glass floor GS3, GS4.          Sections C, D.</p>			
Drawing No:	003	Rev	
Drawn BY:	DZ	Scale:	1:10 @ A3
Date:	21 April 2017		
Status:	Approval		

SIZES ARE SUBJECT TO SITE SURVEY OR DETERMINED FROM AGREED STRUCTURAL OPENING DIMENSIONS PROVIDED BY MAIN CONTRACTOR.

ALL STRUCTURAL GROUNDS TO BE PREPARED BEFORE INSTALLATION.

### Detail E



**Sealtite Ltd**  
 16-18 Kennet Road, Crayford  
 Postal Code: DA1 4QN  
 Tel: 01322 550 760  
 e-mail: info@sealtitewindows.co.uk

Project:  
 5 Kemplay Road,  
 London, NW3

Description:  
 Ground Floor. Walk on glass floor GS3, GS4.  
 Detail E.

Drawing No:	004	Rev	
Drawn BY:	DZ	Scale:	1:1@ A3
Date:	21 April 2017		
Status:	Approval		

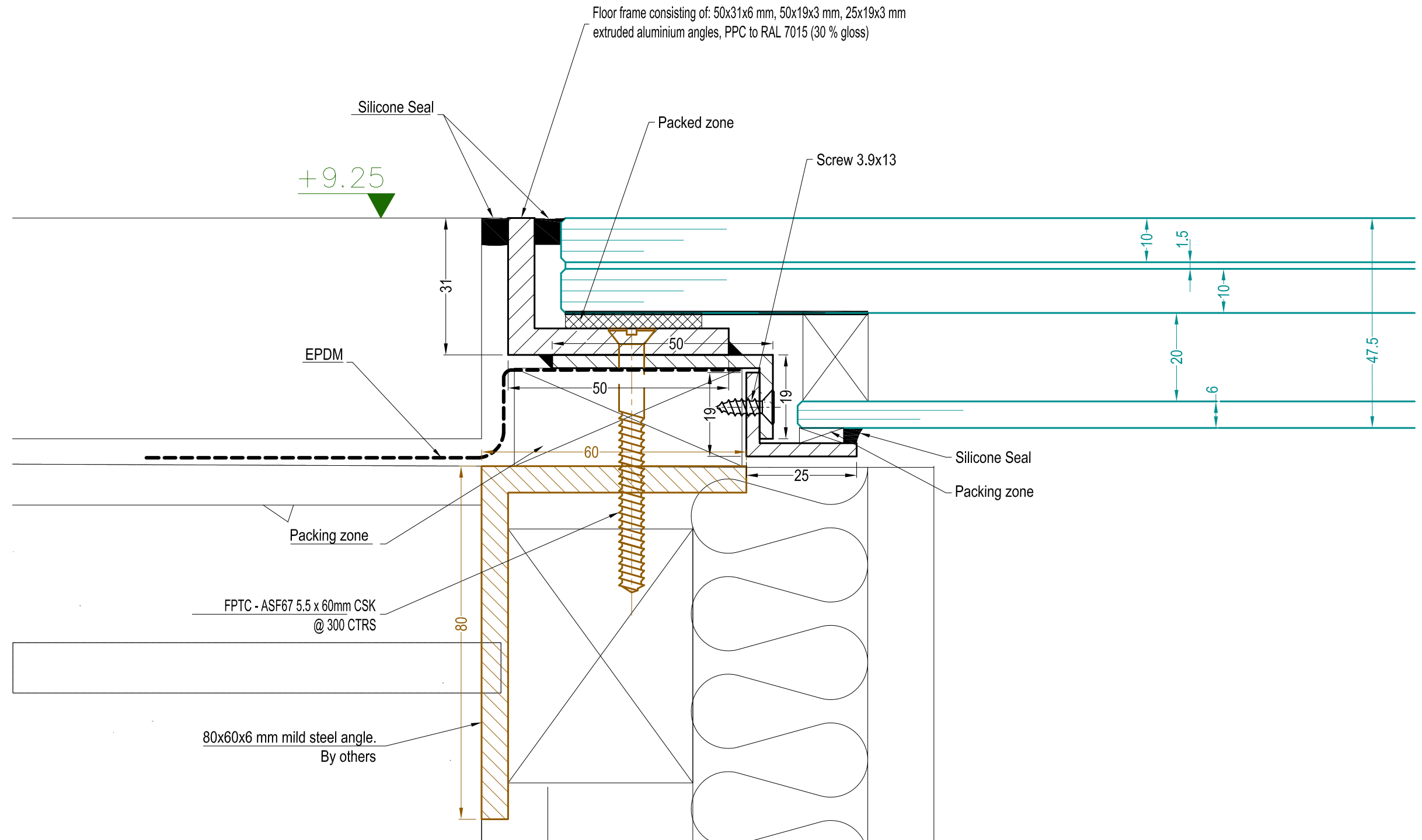
Ground Floor. Walk on glass floor GS3, GS4.

**Architectural Glazing Solutions**

SIZES ARE SUBJECT TO SITE SURVEY OR DETERMINED FROM AGREED STRUCTURAL OPENING DIMENSIONS PROVIDED BY MAIN CONTRACTOR.

ALL STRUCTURAL GROUNDS TO BE PREPARED BEFORE INSTALLATION.

### Detail G



**Sealtite Ltd**  
 16-18 Kennet Road, Crayford  
 Postal Code: DA1 4QN  
 Tel: 01322 550 760  
 e-mail: info@sealtitewindows.co.uk

Project:  
 5 Kemplay Road,  
 London, NW3

Description:  
 Ground Floor. Walk on glass floor GS3, GS4.  
 Detail G.

Drawing No:	006	Rev	
Drawn BY:	DZ	Scale:	1:1@ A3
Date:	21 April 2017		
Status:	Approval		

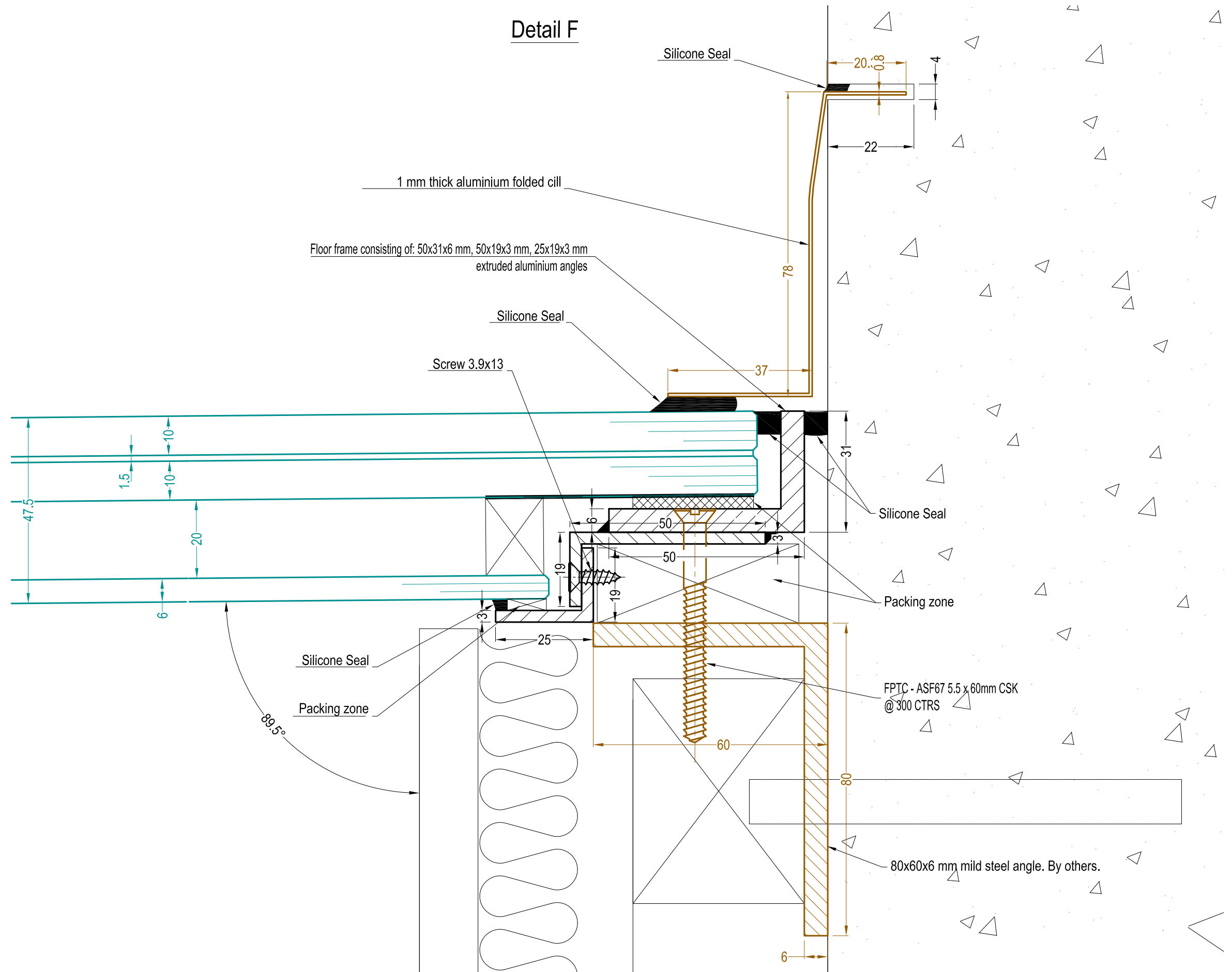
Ground Floor. Walk on glass floor GS3, GS4.

**Architectural Glazing Solutions**

SIZES ARE SUBJECT TO SITE SURVEY OR DETERMINED FROM AGREED STRUCTURAL OPENING DIMENSIONS PROVIDED BY MAIN CONTRACTOR.

ALL STRUCTURAL GROUNDS TO BE PREPARED BEFORE INSTALLATION.

### Detail F



Ground Floor. Walk on glass floor GS3, GS4.

# Architectural Glazing Solutions

## Sealtite Ltd

16-18 Kennet Road, Crayford  
 Postal Code: DA1 4QN  
 Tel: 01322 550 760  
 e-mail: info@sealtitewindows.co.uk

Project:  
 5 Kemplay Road,  
 London, NW3

Description:  
 Ground Floor. Walk on glass floor GS3, GS4.  
 Detail F.

Drawing No:	005	Rev	
Drawn BY:	DZ	Scale:	1:1@ A3
Date:	21 April 2017		
Status:	Approval		