

SERAPHIM MODULE 270W~285W

5MA SERIES

High Performance
Solar Modules

5MA

PIDFree™



Electrical Characteristics

	SRP-270-5MA	SRP-275-5MA	SRP-280-5MA	SRP-285-5MA	Unit
Rated Power at STC (Pmp)	270	275	280	285	W
Power Tolerance	(0,+4.99)	(0,+4.99)	(0,+4.99)	(0,+4.99)	W
Maximum Power at STC	274.99	279.99	284.99	289.99	W
Minimum Module Efficiency (η_m)	16.0	16.3	16.6	16.9	%
Open Circuit Voltage (Voc)	60.6	60.8	60.8	60.9	V
Short Circuit Current (Isc)	5.78	5.87	5.98	6.07	A
Maximum Power Voltage (Vmp)	48.9	49.4	49.6	49.8	V
Maximum Power Current (Imp)	5.53	5.57	5.66	5.73	A
Maximum System Voltage	1000 (TUV), 600 (UL)				V
Maximum Series Fuse Rating	10				A

STC: Irradiance 1000 W/m² module temperature 25°C AM=1.5;
Power measurement tolerance: +/-3%

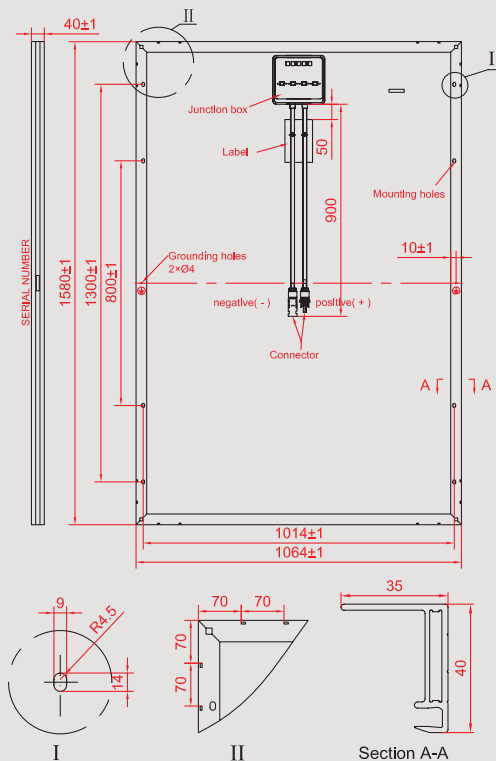
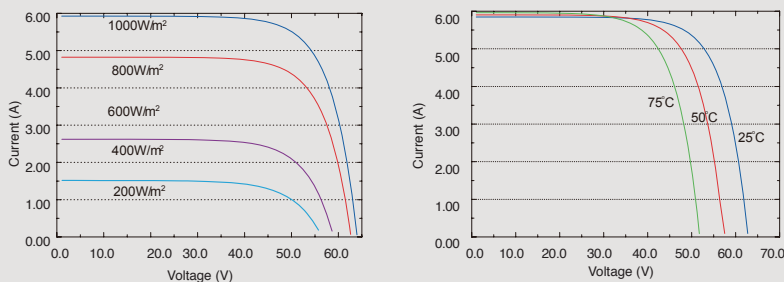
Temperature Characteristics

Pmax Temperature Coefficient	-0.43 %/°C
Voc Temperature Coefficient	-0.32 %/°C
Isc Temperature Coefficient	+0.04 %/°C
Operating Temperature	-40~+85 °C
Nominal Operating Cell Temperature (NOCT)	45±2 °C

Packing Configuration

Container	20'GP	40'GP	40'HC
Pieces per pallet	N.A	N.A	26
Pallets per container	N.A	N.A	28
Pieces per container	N.A	N.A	728

Current-Voltage & Power-Voltage Curve (SRP-280-5MA)



* All Dimensions in mm

* The above drawing is a graphical representation of the product. For engineering quality drawings please contact SERAPHIM.

Mechanical Specifications

External Dimensions	1580 x 1064 x 40 mm
Weight	20.0 kg
Solar Cells	Monocrystalline 125 x 125 mm (96pcs)
Front glass	3.2 mm tempered glass, low iron
Frame	Anodized/Electrophoretic aluminium alloy
Junction Box	IP65/IP67
Output Cables	4.0 mm ² , symmetrical lengths 900 mm
Connector	MC4 Compatible
Mechanical load	5400 Pa
Hailstone Impact Test	80 km/h for 25 mm ice ball