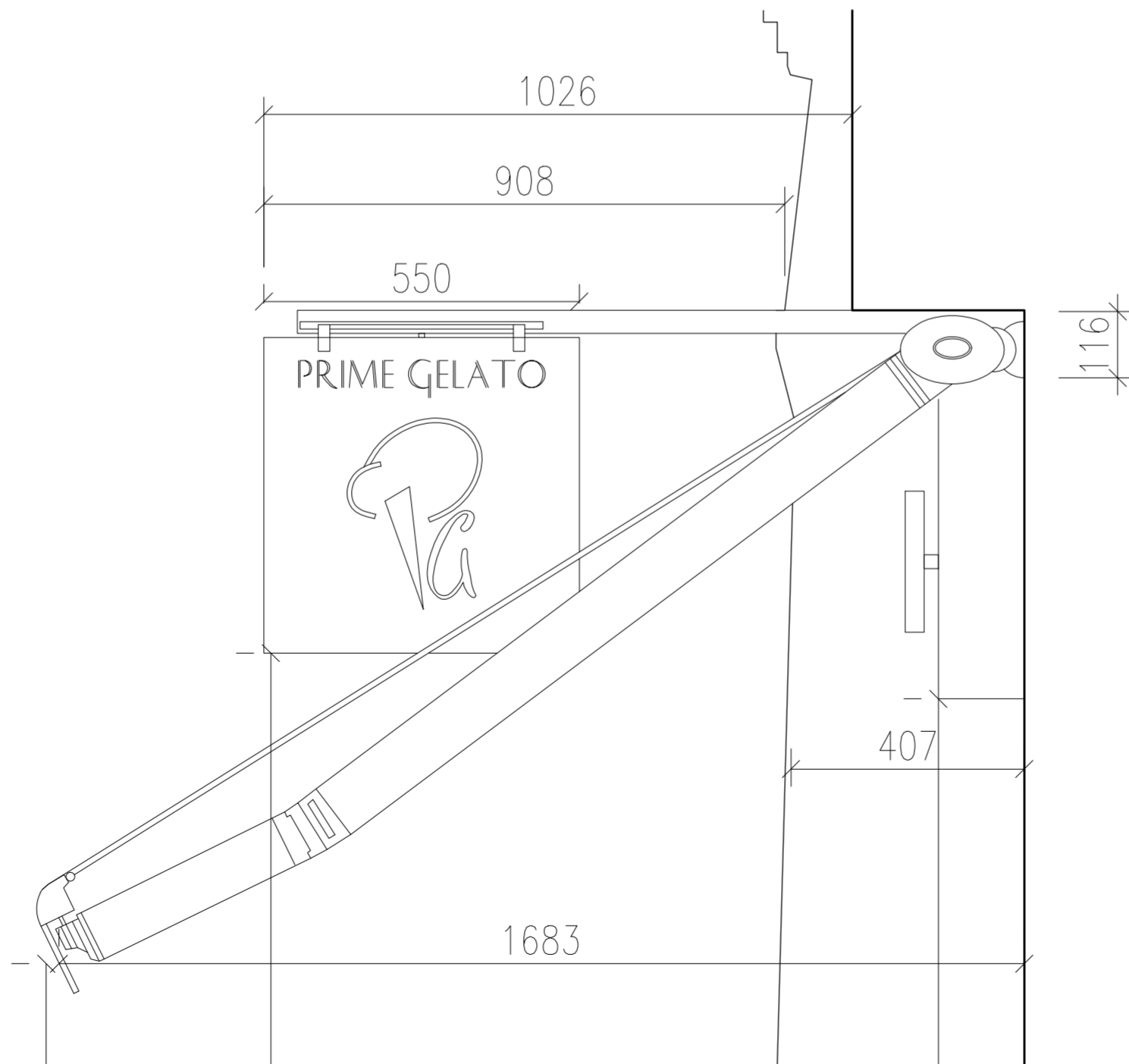




INTERNALLY ILLUMINATED SIGN
SCALE 1:10 @ A2

PROPOSED PROTRUDING SIGN
MOUNTED ON A POWDER
COATED ALUMINIUM
BACKGROUND

PROPOSED 'HALO' ILLUMINATED
FASCIA SIGN WITH ALUMINIUM
BACKGROUND



PROTRUDING SIGN & AWNING
SCALE 1:10 @ A2

1. THIS DRAWING IS TO BE READ IN CONJUNCTION WITH ALL RELEVANT ARCHITECTS AND ENGINEERS DRAWINGS DETAILS AND SPECIFICATION.
2. SETTING OUT TO BE THE RESPONSIBILITY OF THE CONTRACTOR. ALL DIMENSIONS TO BE CHECKED ON SITE PRIOR TO COMMENCEMENT OF WORK AND ANY DISCREPANCIES TO BE NOTIFIED TO THE ARCHITECT.
3. ALL VARIATIONS IN ASSUMED STRUCTURE TO BE NOTIFIED TO THE ENGINEER.
4. ALL DIMENSIONS TO BE CHECKED ON SITE.
5. ALL DIMENSIONS TO BE CHECKED AND CONFIRMED ON SITE.
6. ALL DISCREPANCIES ARE TO BE REPORTED TO AND RESOLVED BY THE ARCHITECTS BEFORE WORKS ARE COMMENCED.
7. THIS DRAWING IS NOT TO BE SCALED.
8. ALL WORK AND MATERIALS TO BE IN ACCORDANCE WITH THE BUILDING REGULATION DEPARTMENT AND TO COMPLY WITH ALL RELEVANT CODES OF PRACTICE AND BRITISH STANDARD.

Stage	Phase
PROPOSED	PLANNING

Job Title
216 Shaftesbury Avenue London
WC2H 8EG

Architects
ADMERLIN DESIGN STUDIO

Drawing Title
PROPOSED SIGNAGE

Notes
REV A - PLANNING COMMENTS 28.04.2017

Scale @ A2	Date	Drawn	Checked / Date
1:10	04-05-17	-	-
Job No.	Drawing No.	Revision	
ADM1817	W500	A	

