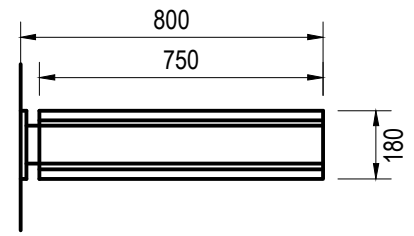


ALL DIMENSIONS IN MILLIMETRES.  
 ONLY ANNOTATED DIMENSIONS SHOULD BE FOLLOWED, DO NOT SCALE FROM THIS DRAWING.  
 ALL DIMENSIONS ARE FINISHED SIZES.  
 MANUFACTURER / CONTRACTOR SHOULD ENSURE THAT ALL MATERIALS & CONSTRUCTION METHODS SHOWN ARE COMPLIANT WITH BUILDING REGULATIONS, LANDLORDS, OR LOCAL REGULATIONS IN FORCE AT THE TIME. ANY DISCREPANCIES OR CONCERNS SHOULD BE REPORTED TO CHECKLAND KINDLEYSIDES.  
 CONTRACTORS SHOULD MANAGE & MONITOR THE MANUFACTURE OR CONSTRUCTION WORKS DESCRIBED IN THESE DRAWINGS TO ENSURE IT IS CARRIED OUT WITHOUT RISKS TO HEALTH & SAFETY.

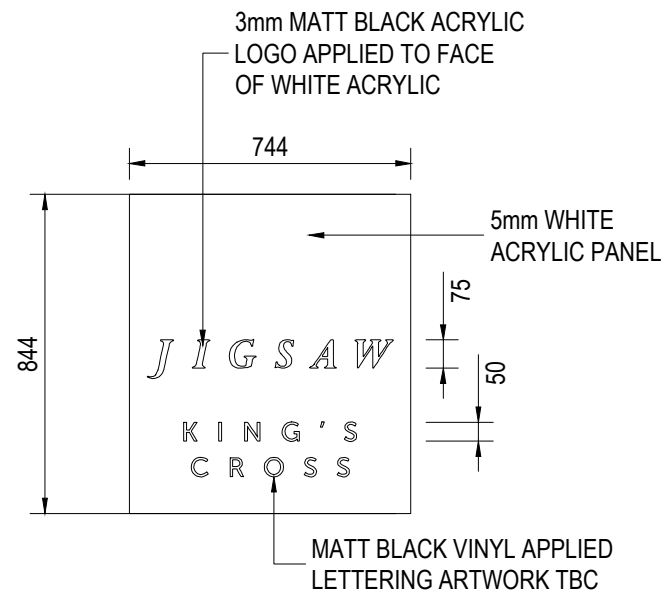
THIS DRAWING IS THE COPYRIGHT OF CHECKLAND KINDLEYSIDES LTD.  
 THIS DRAWING CANNOT BE COPIED, REPRODUCED OR DISCLOSED TO ANY UNAUTHORISED PERSON.

F.O.H AREA	B.O.H AREA	TOTAL AREA
196m <sup>2</sup>	36.8m <sup>2</sup>	232.8m <sup>2</sup>

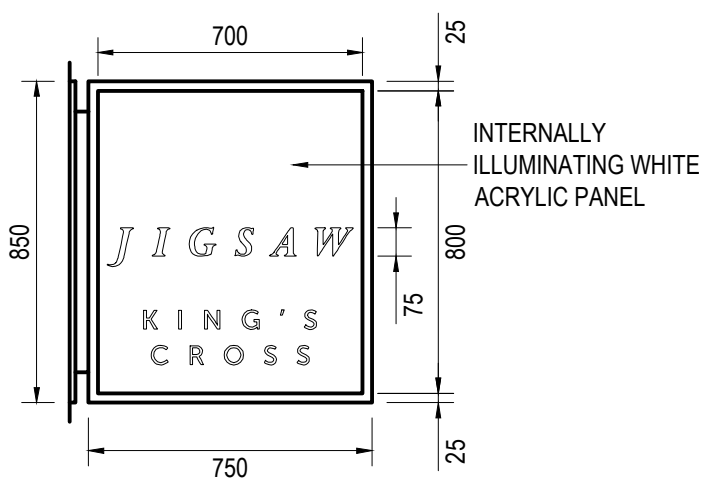
REV.	DESCRIPTION	INT.	DATE
A	UPDATED FONT	SJL	28-03-17
B	UPDATED KING'S CROSS	SJL	03-04-17
C	KING'S CROSS WORDING INCREASED IN SIZE AND ON 2 LINES	MDJ	24-04-17



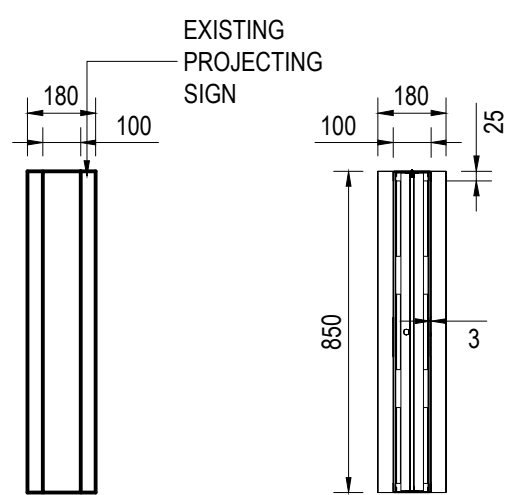
**PLAN VIEW**  
**SCALE 1:20**



**ACRYLIC PANEL**  
**2no. REQUIRED**  
**SCALE 1:20**



**SIDE VIEW**  
**SCALE 1:20**



**FRONT VIEW**  
**SCALE 1:20**

**SECTION**  
**SCALE 1:20**

**checkland kindleysides**

**Leicester Studio**  
 Charnwood Edge  
 Cossington  
 Leicester LE7 4JZ  
 +44 (0)116 2644 700

**London Studio**  
 2 Compton Courtyard  
 40 Compton Street  
 London EC1V 0BD  
 +44 (0)116 2644 700

[www.checklandkindleysides.com](http://www.checklandkindleysides.com)

CLIENT	JIGSAW
PROJECT	KINGS CROSS NEW STORE

SITE ADDRESS	UNIT 2 ZONE B 3 PANCRAS SQUARE
--------------	--------------------------------------

CK PROJECT No.	DWG No.	REV.	DATE
29402	A08.02	C	14-03-17
DWG TITLE			
PROJECTING SIGN DETAILS			
CK WORKSHOP No.	DRAWN BY	SCALE	
29403	SJL	1:20	<b>A3</b>