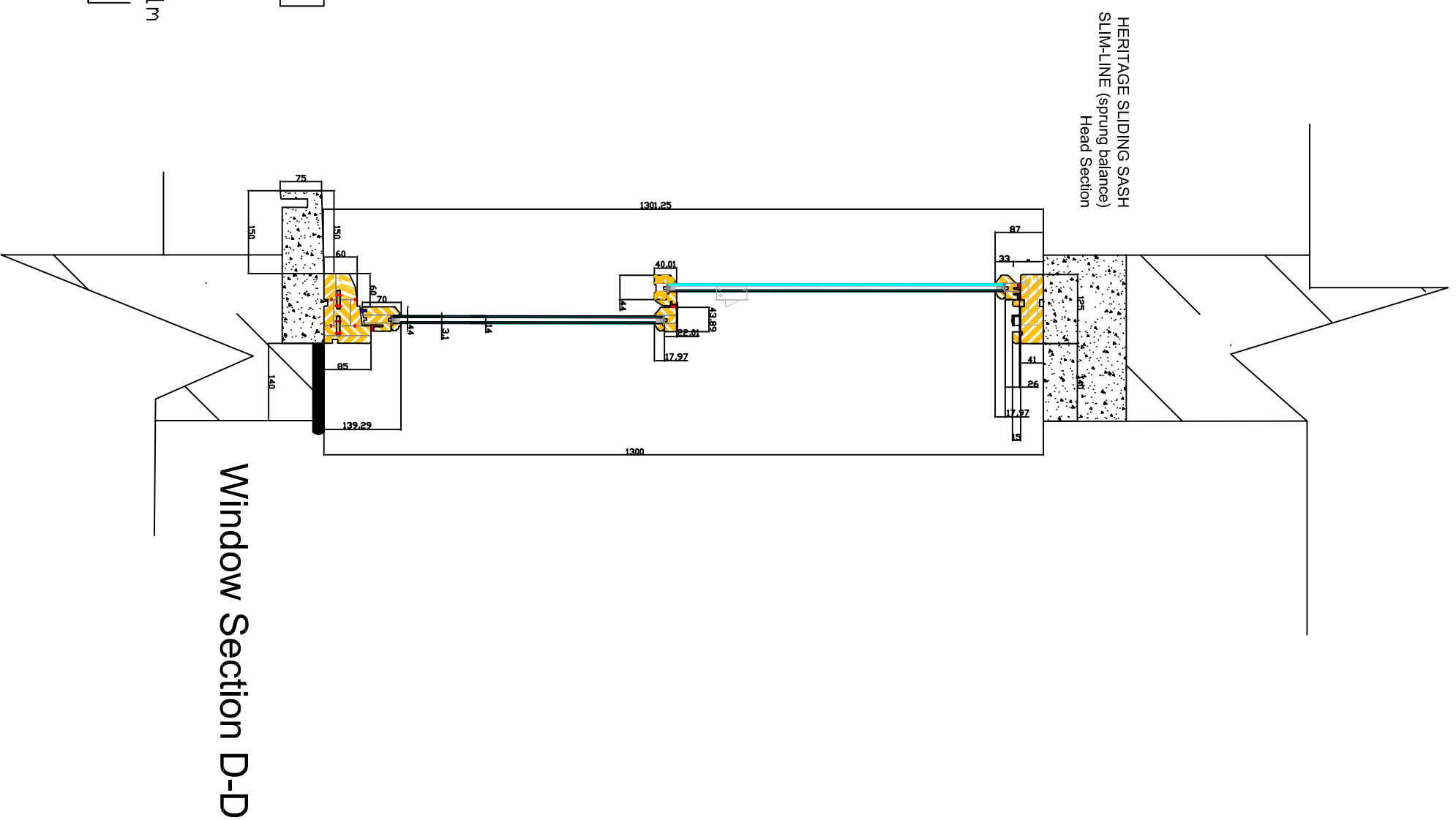
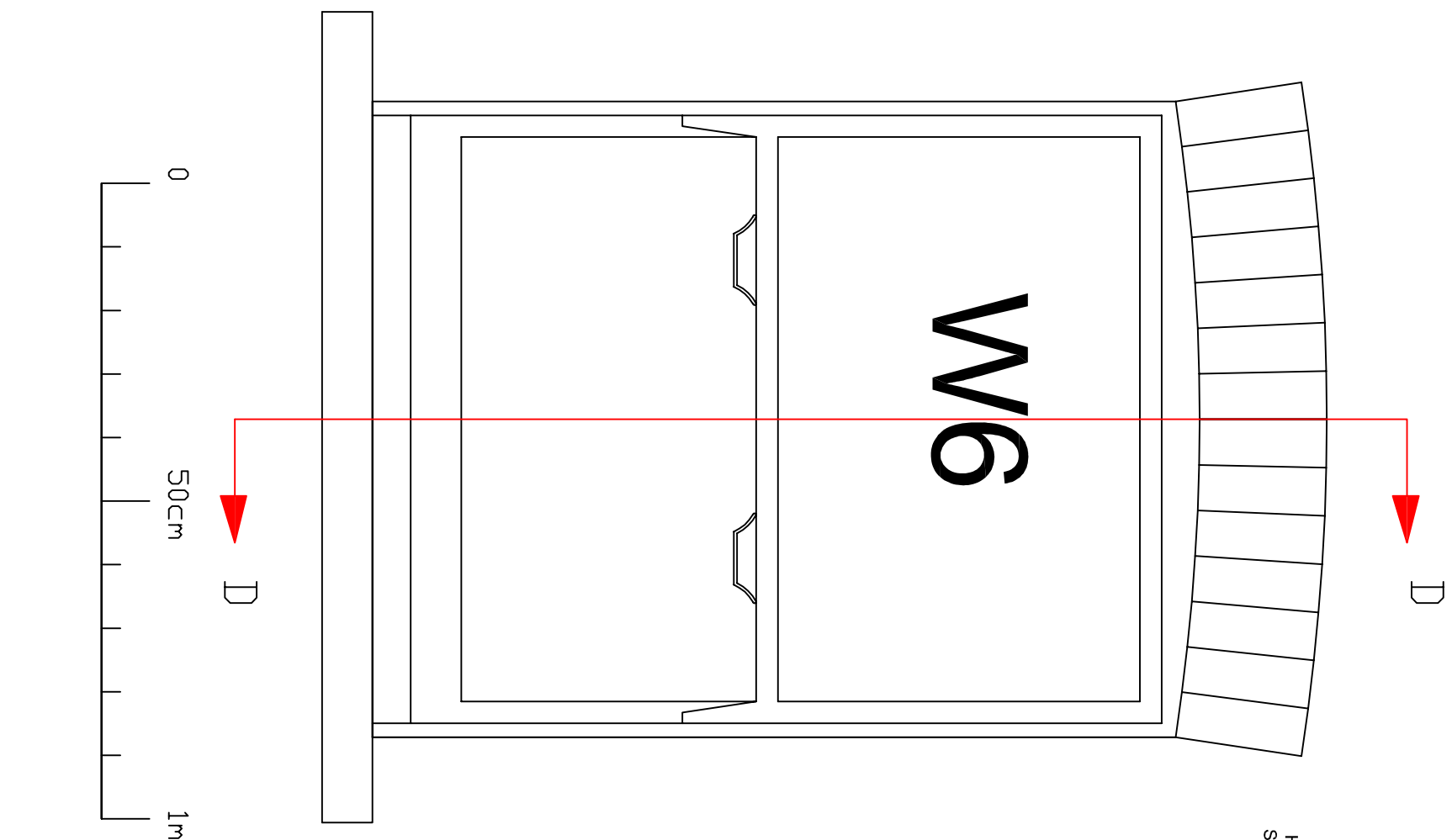


Notes:



## WALKER MANAGEMENT

EMPLOYER'S AGENTS & PROJECT MANAGERS

LION HOUSE, 242 BALLARDS LANE

LONDON N12 0EP

TEL: 020 8446 5537

E-MAIL: [INFO@WALKERMANAGEMENT.CO.UK](mailto:INFO@WALKERMANAGEMENT.CO.UK)

TITLE  
WINDOW SECTION W6

PROJECT  
64 Chalcot Road

CLIENT  
CIRCLE 33 HOUSING / KIER

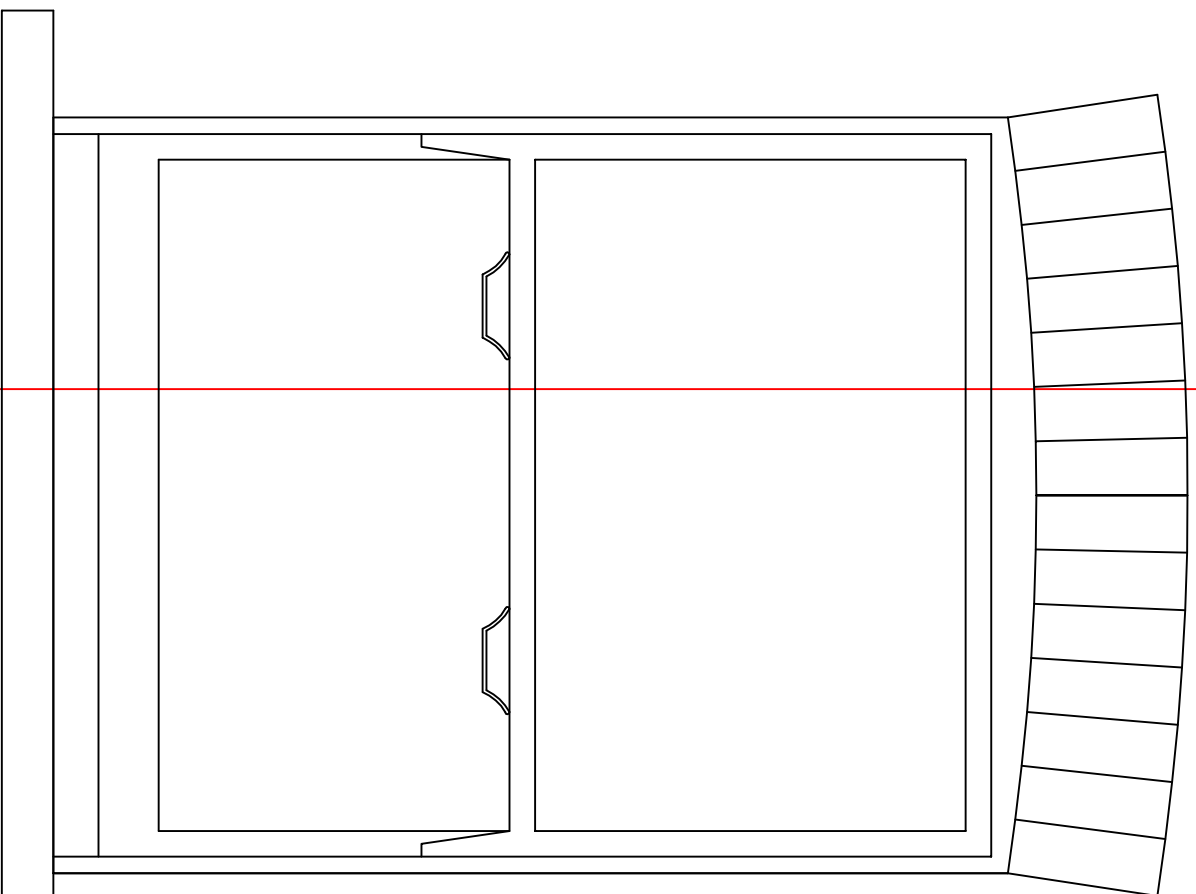
SCALE: 1:10 @A3  
CAD FILE: 3081  
DATE: 13.03.17  
DRAWN BY: SLP  
CHECKER:

PROJECT NO.  
3081

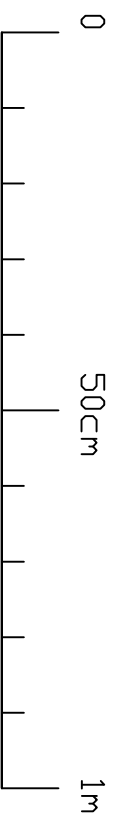
DRAWING NO.  
3081 /MM/07

REVISION  
0

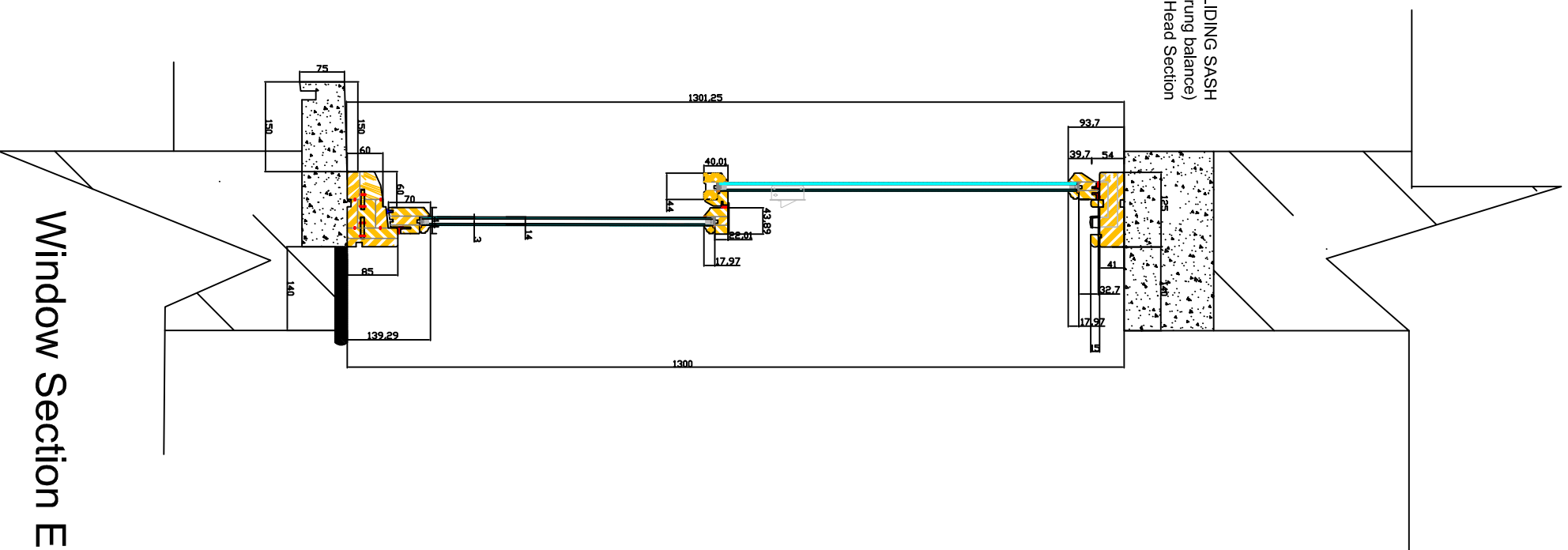
W12  
E



E



HERITAGE SLIDING SASH  
SLIM-LINE (sprung balance)  
Head Section



Window Section E-E

**WALKER MANAGEMENT**

EMPLOYER'S AGENTS & PROJECT MANAGERS

LION HOUSE, 242 BALLARDS LANE  
LONDON N12 0EP  
TEL: 020 8446 5537

E-MAIL: [INFO@WALKERMANAGEMENT.CO.UK](mailto:INFO@WALKERMANAGEMENT.CO.UK)

TITLE  
WINDOW SECTION W12

PROJECT  
64 Chalcot Road

CLIENT  
CIRCLE 33 HOUSING / KIER

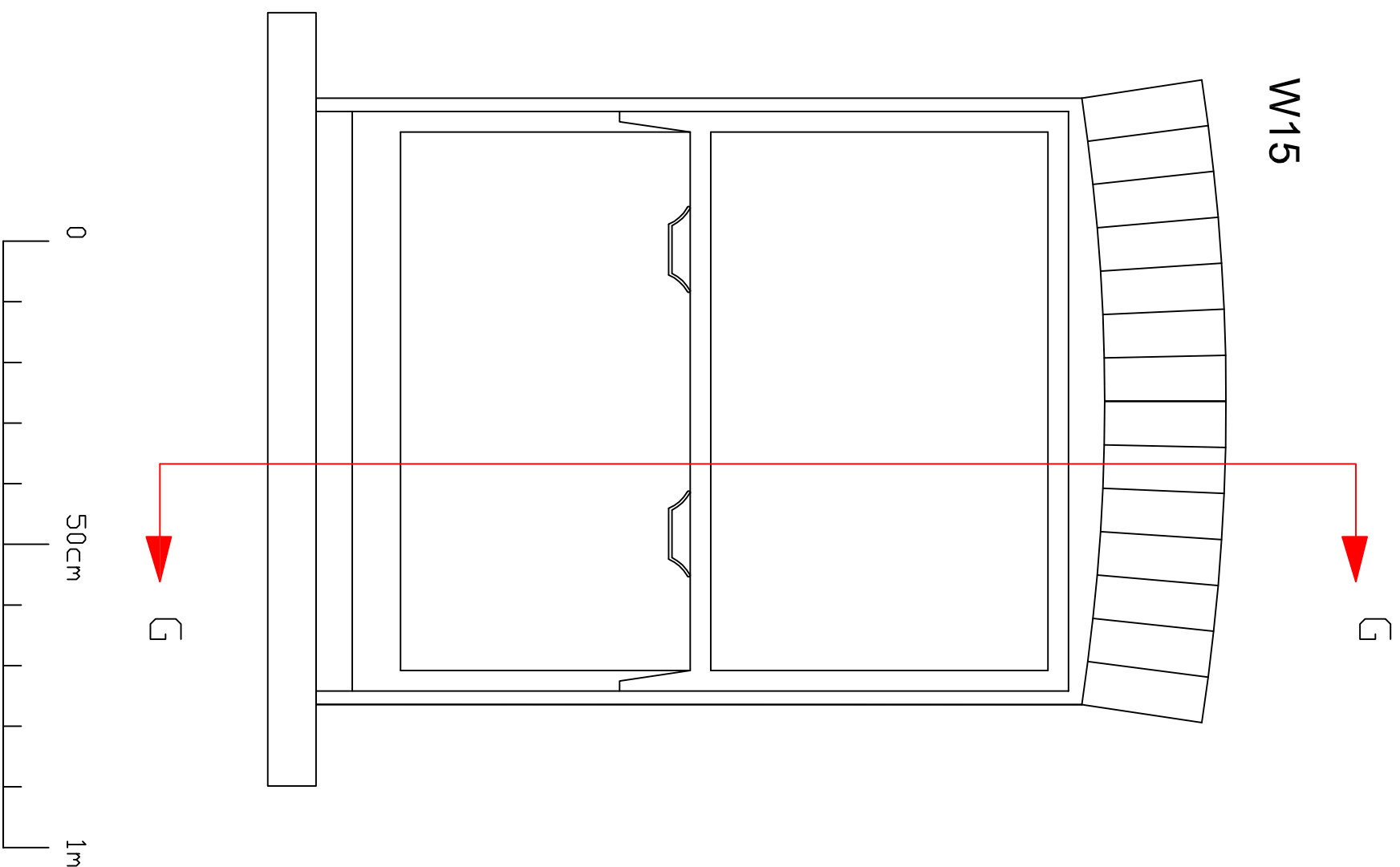
SCALE: 1:10@A3  
CAD FILE: 3081  
DATE: 13.03.17  
DRAWN BY: SLP  
CHECKER:

PROJECT NO.  
3081

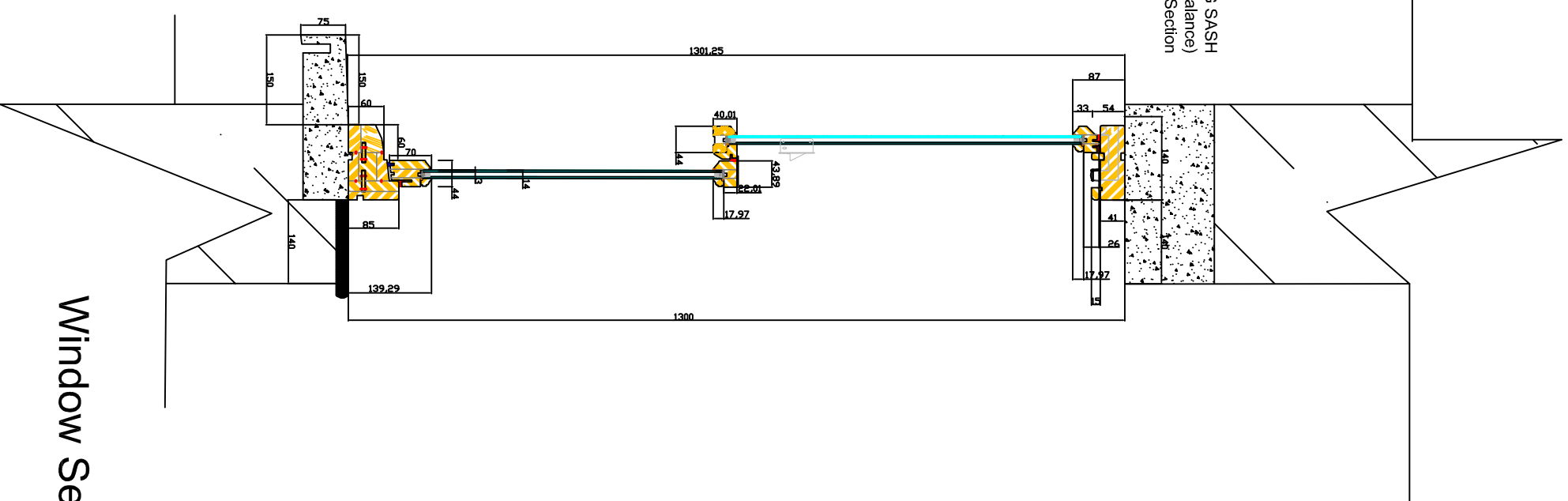
DRAWING NO.  
3081/MM/09

REVISION  
Rev 2

W15



HERITAGE SLIDING SASH  
SLIM-LINE (sprung balance)  
Head Section



Window Section G-G

**WALKER MANAGEMENT**

EMPLOYER'S AGENTS & PROJECT MANAGERS

LION HOUSE, 242 BALLARDS LANE  
LONDON N12 0EP  
TEL: 020 8446 5537

E-MAIL: [INFO@WALKERMANAGEMENT.CO.UK](mailto:INFO@WALKERMANAGEMENT.CO.UK)

TITLE  
WINDOW SECTION W15

PROJECT  
64 Chalcot Road

CLIENT  
CIRCLE 33 HOUSING / KIER

SCALE: 1:100&A3  
CAD FILE: 3081  
DATE: 13.03.17  
DRAWN BY: SLP  
CHECKER:

PROJECT NO. 3081	DRAWING NO. 3081 /MM/11	REVISION Rev 2
---------------------	----------------------------	-------------------