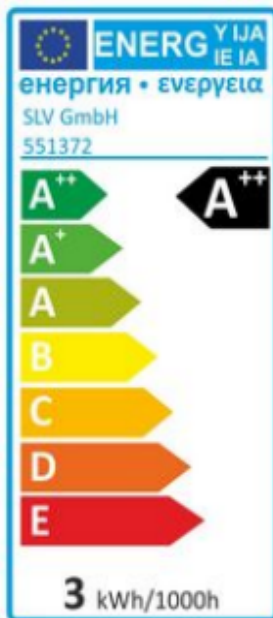


## LED GX53

SMD LED, 3W, 3000K, not dimmable



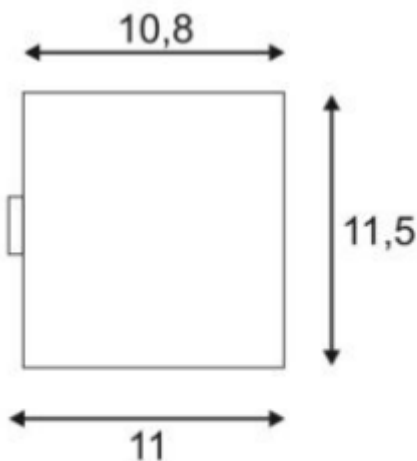
Article number	551372
Feed-in capability	No
Lampholder / Socket	GX53
Lamp included	No
Height	2.6 cm
Diameter	7.6 cm
Net weight	0.048 kg
Gross weight	0.055 kg
Voltage	230 Volts
Max. wattage	3 Watt
Beam angle	120 Degree
Average lifespan	25000 Hours
Colour temperature	3000 Kelvin
Colour rendering index	83
Luminous flux	250 lm
Energy efficiency class	A++

The non-dimmable LED high-voltage bulb is perfect to replace high-voltage halogen lamps with a GX53 socket. This non-dimmable LED lamp is ideal for general lighting requirements. LED bulbs produce a neutral light beam comparable with halogen bulbs and are ideal for use as room and accent lighting. LED bulbs are compatible with most existing lights with a GX53 socket and have been developed specially as replacements for halogen bulbs. LED lamps give you significant energy savings and are associated with significantly lower maintenance costs. The product is rated EEC A++. The adjusted usage is 3 kWh / 1000 h.



## SITRA CUBE

outdoor wall light, TCR-TSE, IP44, anthracite, max. 18W



Article number	232535
Product family	Sitra
Feed-in capability	No
LBS code	TCR-TSE
Lampholder / Socket	GX53
Number of light sources	2
Lamp included	No
Width	10.8 cm
Height	11.5 cm
Depth	11 cm
Net weight	1.209 kg
Gross weight	1.287 kg
Voltage	230 Volts
Max. wattage	18 Watt
Protection class	I
IP-rating	IP 44
Energy efficiency class	A++
Light distribution type 1	direct-indirect
Lamp	TCR-TSE
Material	Aluminium/glass
Colour	anthracite
Way of mounting	Surface wall mounting
Remark 1	Not suitable for the use of 550101 / -2 / -7
Remark 2	Not suitable for the use of 550091 / -2 / -7

Cube-shaped wall light SITRA CUBE made from painted aluminium. Thanks to the position of the two sockets which are fitted, the mounted luminaire produces two equal but opposite cones of light (UP/DOWN). With protection class IP44 it is suitable for outdoor use. The electrical connection of the luminaire, which comes in various colours, is directly to the 230V mains supply. This luminaire is compatible with bulbs of the energy classes: B - A++



The IP65 Die Cast Downlights are available in 240V and in a variety of finishes.

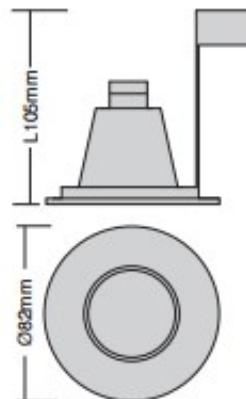


LF23-1



### Specification

**Voltage:** 240V  
**Output Wattage:** 50W max  
**Lamp (not included):** GU10 halogen/CFL/LED  
 Aluminium reflector  
 (when using halogen)  
**Guarantee:** 1 year  
**IP Rating:** IP65  
**Material:** Die cast aluminium.  
**Extra Info:** Supplied with wired lamp holder  
 and half bridge.  
 Cut out: Ø: 66mm.

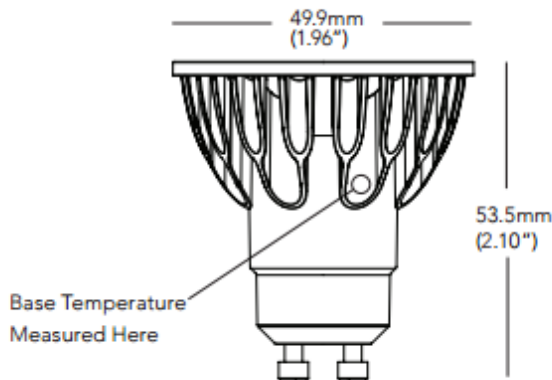


MODEL	LAMP	VOLTAGE	COLOUR	DIMENSIONS (Ø x L mm)
LF17-1	GU10	240V	WHITE	82 x 105mm
LF18-1	GU10	240V	SATIN CHROME	82 x 105mm
LF19-1	GU10	240V	CHROME	82 x 105mm
LF23-1	GU10	240V	BRASS	82 x 105mm

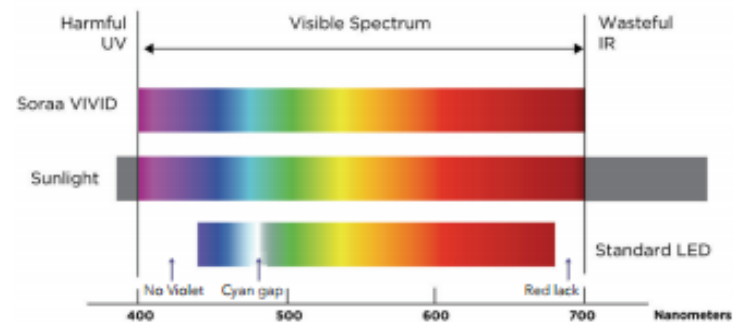
## GENERAL SPECIFICATIONS

Form Factor	Operating Temperature	Electrical	Dimming and Flicker
Width: 49.9mm (1.96")	Minimum: -40°C (ambient)	Wattage: 9.5W	Dimmable to <20%
Height: 53.5mm (2.10")	Typical: 90°C - 95°C (base)	Power factor: 0.80	Flicker Index: <0.12
Weight: 61g	Maximum: 100°C (base)	Voltage: 230V +/- 23V	Percent Flicker: 50%
		Frequency: 50/60Hz	

## DIMENSIONS



## COLOR RENDERING



## 25 DEGREE BEAM

Beam Dia at 50% Intensity (m)	Field Dia at 10% Intensity (m)	Lux (% of Intensity)
0.4	0.7	100%
0.9	1.4	25%
1.3	2.1	11%
1.8	2.8	6%
2.2	3.4	4%

