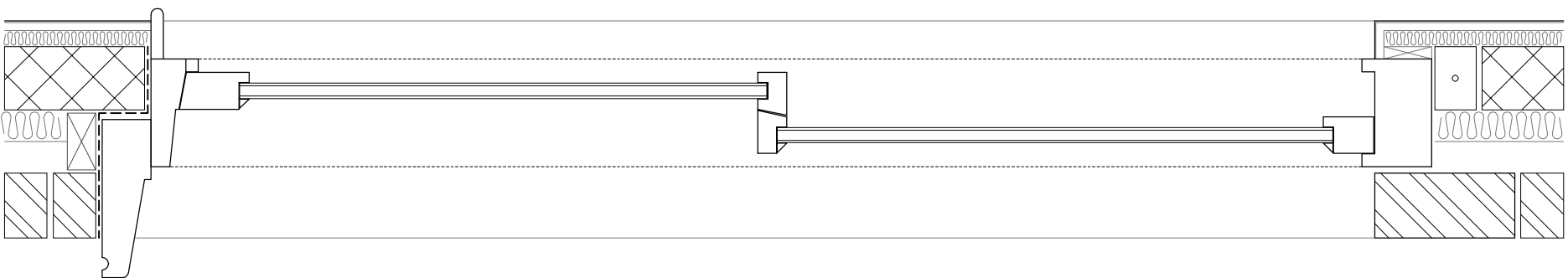
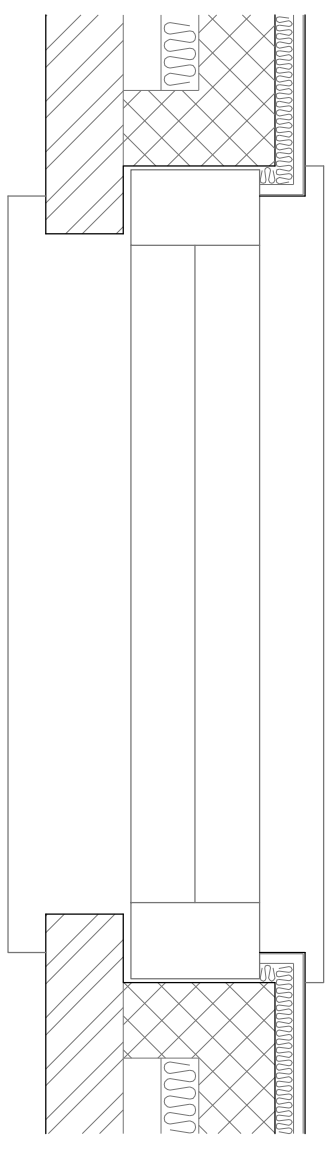


1925



SECTION



PLAN

900

Revisions

No.	Description	Date

Mr G Hodess
 Hodess Row
 London
 NW3 2JZ

Window details for
 Windows 1 & 2

Scale: 1:10@A3
 Date: APR '17
 Ref: 590/25

CLARKE ASSOCIATES
 CHARTERED BUILDING SURVEYORS
 5 Abbey Parade, Ealing, London, W5 1TE
 Tel: 020 8991 0209 Fax: 020 8991 0449
 E-mail: postcl@clarsoc1@btisak.com

ELEVATION